

**TABLE OF CONTENTS**

---

<b>Single Tier Receivers</b>	<b>2</b>
<hr/>	
<b>Receiver Mounting Plates</b>	<b>4</b>
<hr/>	
<b>Hinged Mounting Frames</b>	<b>6</b>
<hr/>	
<b>Receiver Protective Covers</b>	<b>7</b>
<hr/>	
<b>Interchangeable Test Adapters (ITAs)</b>	<b>8</b>
<hr/>	
<b>ITA Enclosures and Protective Covers</b>	<b>10</b>
<hr/>	
<b>Connector Modules</b>	<b>11</b>
<hr/>	
<b>Contacts and Patchcords</b>	<b>16</b>
<hr/>	
<b>Receiver and ITA Tools</b>	<b>20</b>
<hr/>	
<b>Product Cross Reference</b>	<b>22</b>
<hr/>	
<b>Part Number Index</b>	<b>24</b>

---

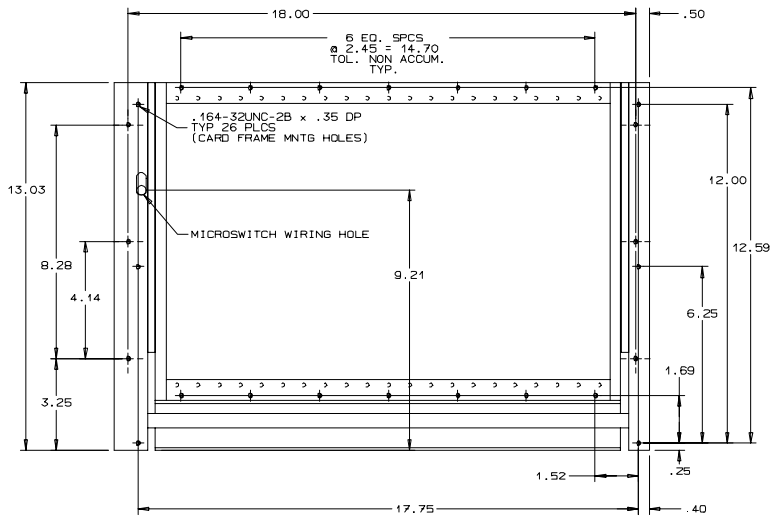
---

# ARINC 608A/30 SERIES

## SINGLE TIER RECEIVERS

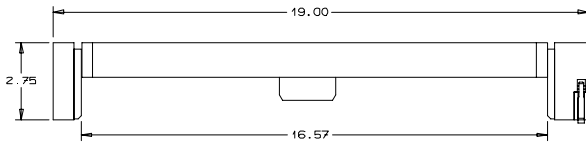
Virginia Panel's Single Tier ARINC Receivers provide 5, 10 or 21 module positions with 0.75 centers. The 5 and 10 module Receivers are black anodized with one integrated microswitch. The 21 module Receiver is black anodized with two integrated microswitches — one microswitch is located in the handle to sense whether the handle is in the open or closed position; the other microswitch, located in one of the hangers, senses whether an ITA is engaged to the Receiver.

P/N	DESCRIPTION
310 105 110	Single Tier Receiver with 21 module positions, 0.75 centers, two microswitches with 36" of wire (ITA wiring code: black - common; brown - normally open; white - normally closed. Handle wiring code: green -common; yellow - normally open)

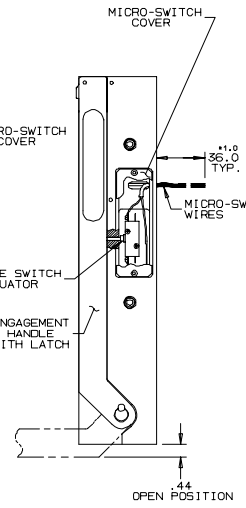
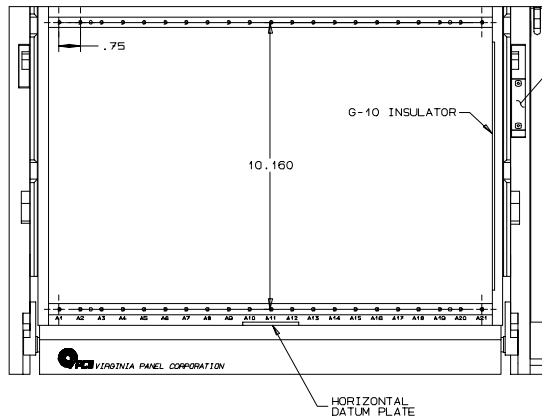


Rear View

P/N 310 105 110



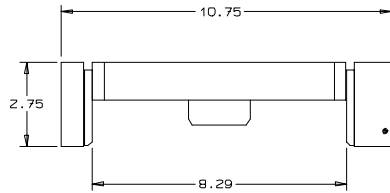
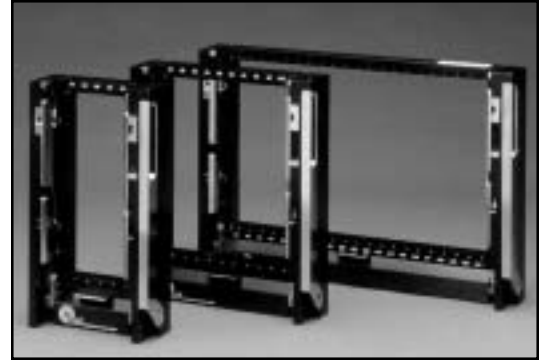
Front View



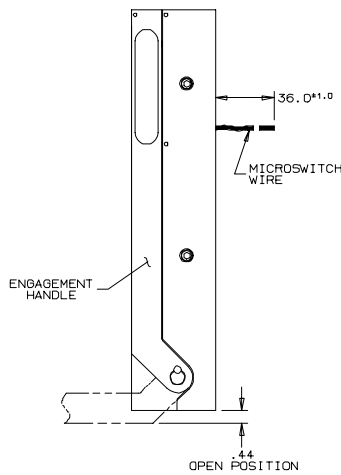
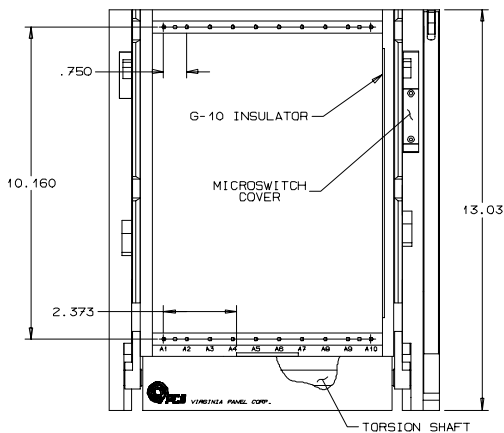
# ARINC 608A/30 SERIES

P/N	DESCRIPTION
-----	-------------

310 105 124	Single Tier Receiver with 10 module positions, 0.75 centers, a microswitch with 36" of wire: red - normally open; black - common; and white - normally closed
-------------	---

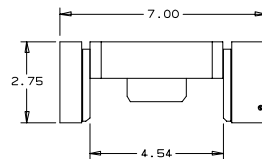


P/N 310 105 124

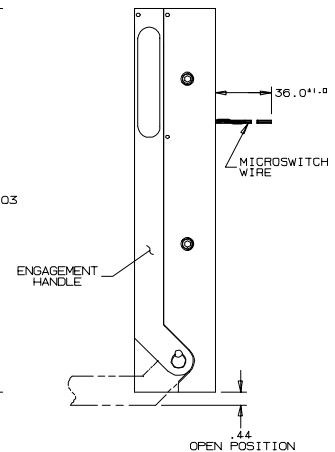
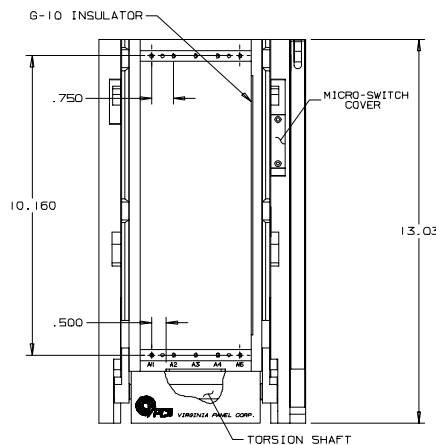


P/N	DESCRIPTION
-----	-------------

310 105 123	Single Tier Receiver with 5 module positions, 0.75 centers, a microswitch with 36" of wire: red - normally open; black - common; and white - normally closed
-------------	--



P/N 310 105 123



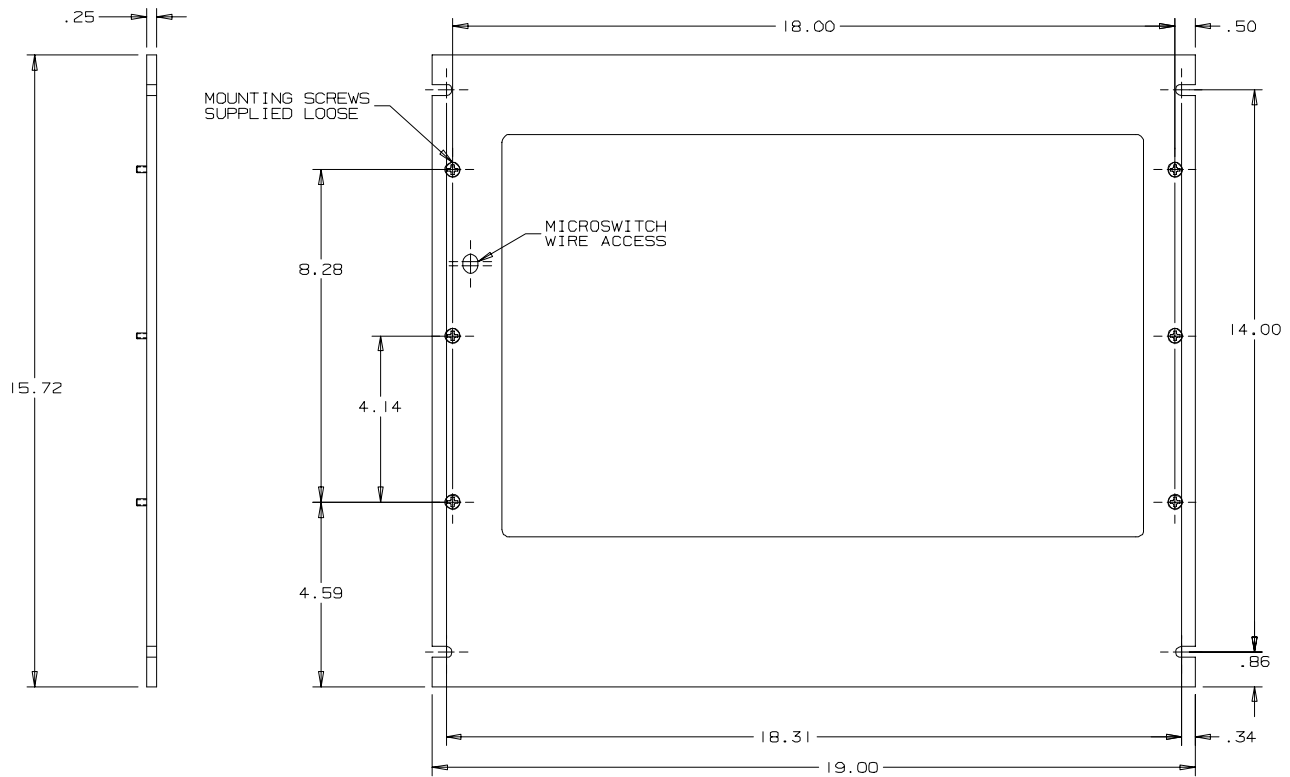
# ARINC 608A/30 SERIES

## RECEIVER MOUNTING PLATES

For ease of installation into a standard 19" rack, receiver mounting adapter plates are available. Adapter plates are black anodized and accommodate ARINC Single Tier Receivers. Access to the microswitch wire is integrated into the adapter plate. Hardware for mounting the receiver to the plate is included.

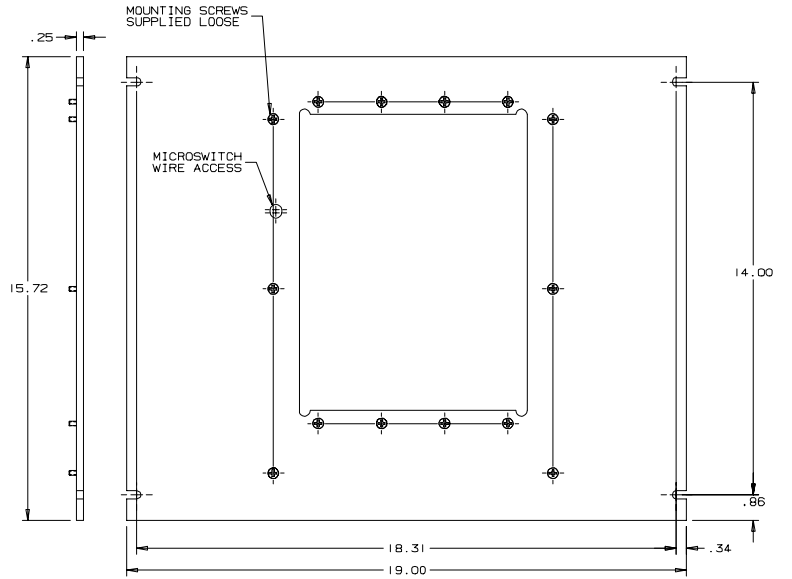


P/N	DESCRIPTION
310 113 193	Mounting Adapter Plate for 21 Position Single Tier Receiver

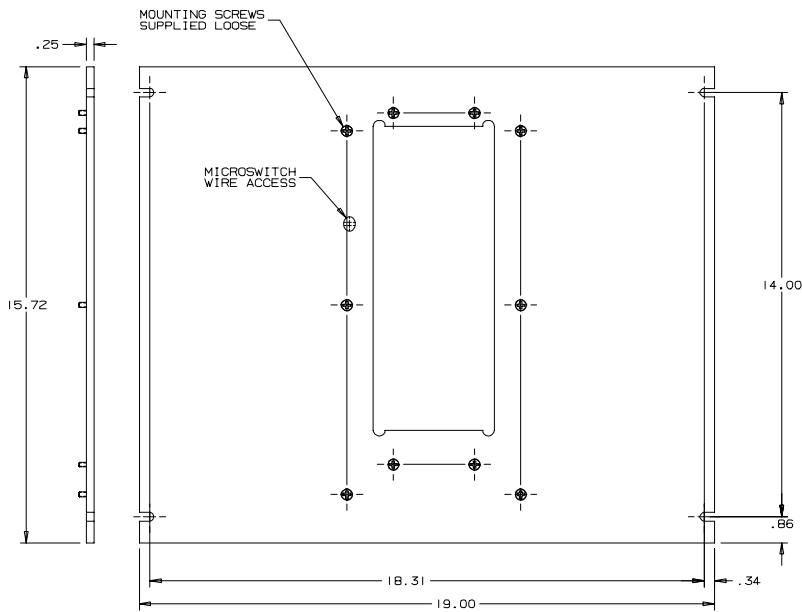


P/N 310 113 193  
Rear View

P/N	DESCRIPTION
310 113 204	Mounting Adapter Plate for 10 Position Single Tier Receiver



**P/N 310 113 204  
Rear View**



**P/N 310 113 203  
Rear View**

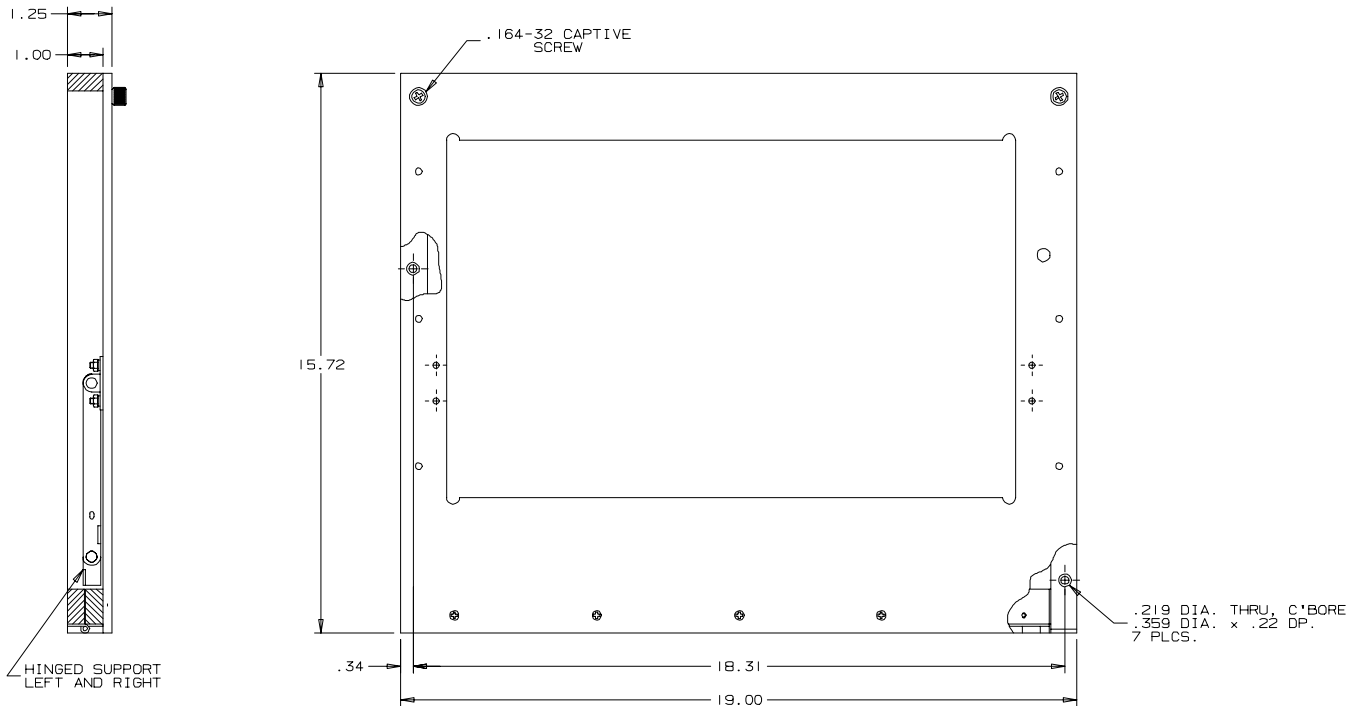
P/N	DESCRIPTION
310 113 203	Mounting Adapter Plate for 5 Position Single Tier Receiver

# ARINC 608A/30 SERIES

## HINGED MOUNTING FRAMES

Vertical Hinged Mounting Frames bolt directly to any standard 19" rack. When open, the frame hinges toward the operator providing access to system wiring. Hinges are incorporated to support the receiver when the system is hinged open.

P/N	DESCRIPTION
310 113 202	Hinged Vertical Mounting Frame for 21 Position Single Tier Receiver
310 113 212	Hinged Vertical Mounting Frame for 10 Position Single Tier Receiver
310 113 213	Hinged Vertical Mounting Frame for 5 Position Single Tier Receiver

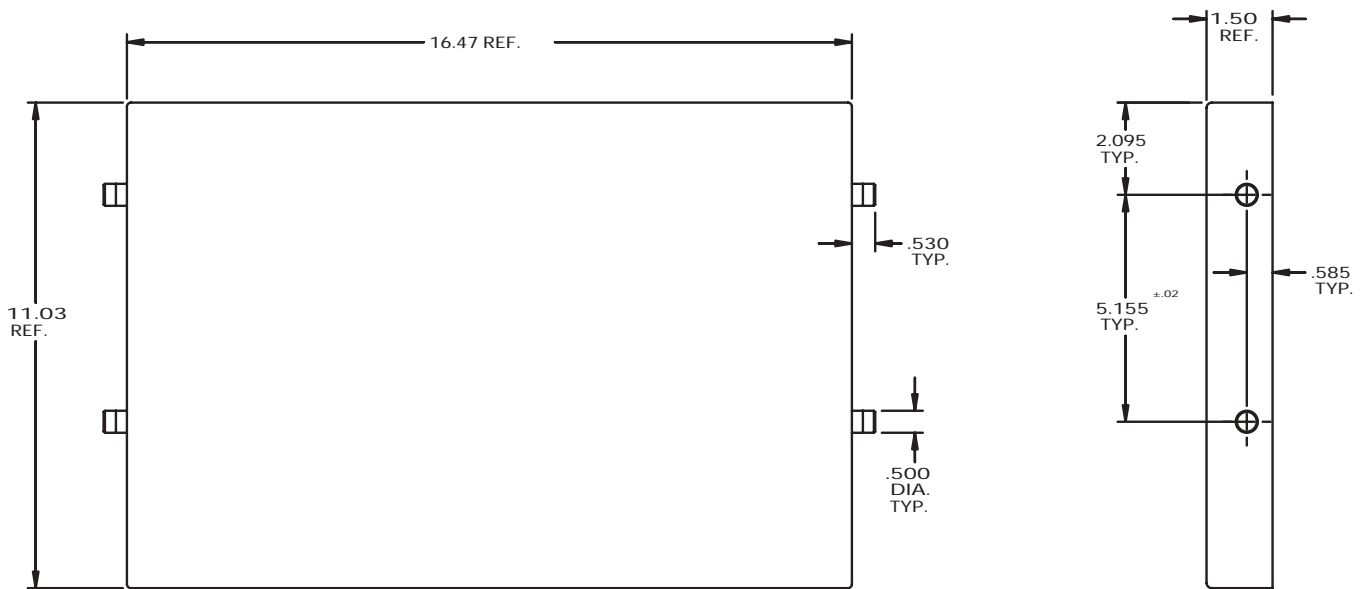


P/N 310 113 202

**RECEIVER PROTECTIVE COVERS**

Protective Covers are available for the 5, 10 and 21 module Receivers. When the Receiver is not in use, the Cover is engaged to protect the modules and contacts. Receiver Protective Covers are black anodized aluminum. Custom painting and silk screening is also available.

P/N	DESCRIPTION
310 113 214	Protective Cover for 21 Module Receiver
310 113 215	Protective Cover for 10 Module Receiver
310 113 216	Protective Cover for 5 Module Receiver



# ARINC 608A/30 SERIES

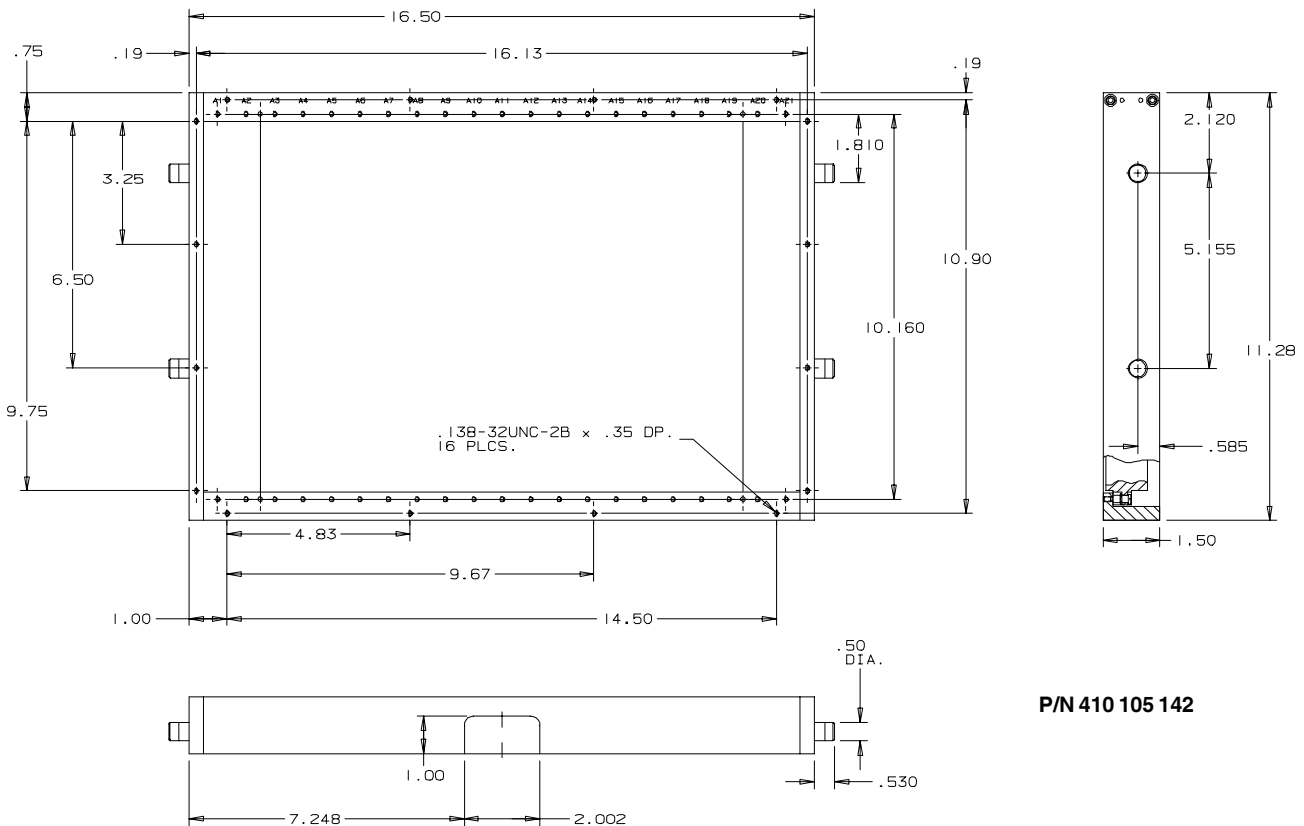


## INTERCHANGEABLE TEST ADAPTERS (ITAs)

VPC's Single Tier Interchangeable Test Adapters (ITAs) are designed to meet ARINC 608A standards. Finished in clear anodize, the ITA can be used in a number of applications to accomplish the required connection to the Unit Under Test (UUT). ITAs can be wired to UUT Adapter Cables or mounted to I/O connectors for functional testing applications. ITAs can also be incorporated into mechanical and vacuum fixturing designs.

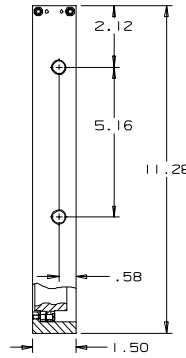
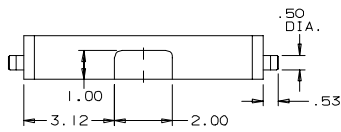
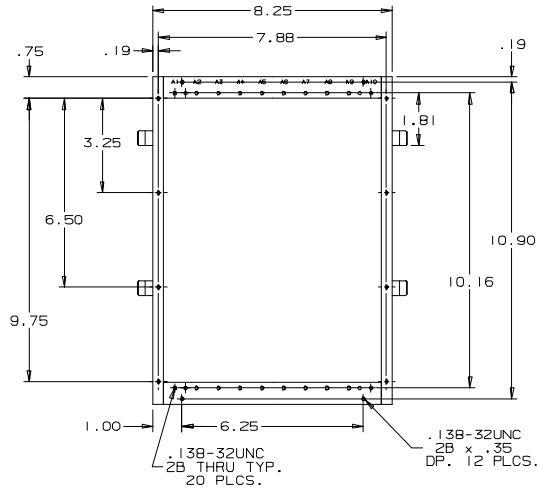
**FX Series** - ITAs are designed to allow modules to be removed from the **Contact Side** of the ITA (see photo above), leaving the ITA Housing and wiring in place when removing the desired module. Compatible with our standard ARINC 608A Receiver System, the FX Series includes 21, 10 and 5 module position ITAs. A wide range of connector modules are available for Standard and FX Series ITAs for custom configuration. *NOTE: an FX Series Module Conversion Kit is available on page 15.*

P/N	DESCRIPTION
410 105 142	<b>FX Series</b> - Single Tier Interchangeable Test Adapter (ITA) with 21 module positions, 0.75 centers modules removed from the contact side
410 105 121	Single Tier Interchangeable Test Adapter (ITA) with 21 module positions, 0.75 centers





# ARINC 608A/30 SERIES

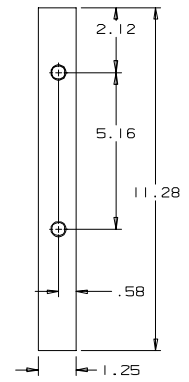
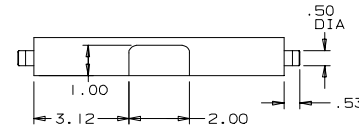
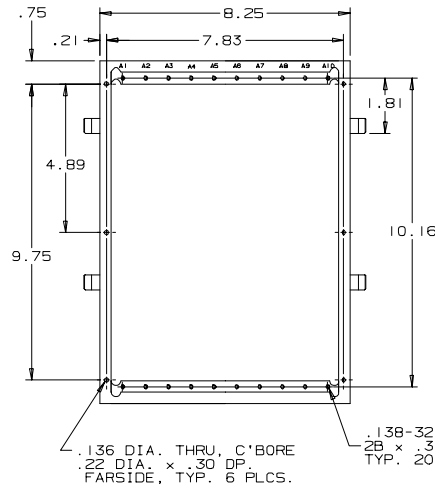


P/N	DESCRIPTION
-----	-------------

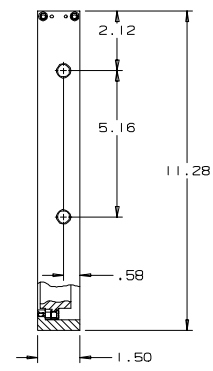
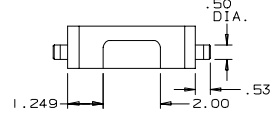
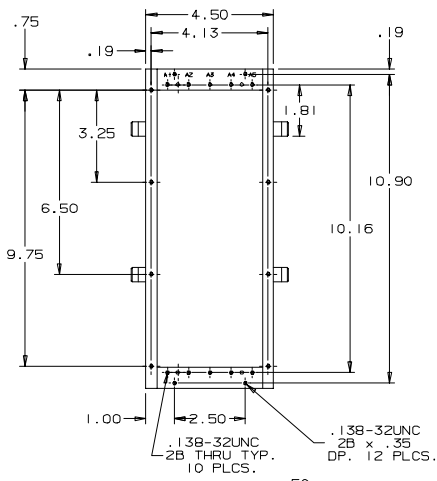
410 105 143 **FX Series - Single Tier Interchangeable Test Adapter (ITA) with 10 module positions, 0.75 centers, modules removed from the contact side (finished in clear chromate)**

410 105 132 **Single Tier Interchangeable Test Adapter (ITA) with 10 module positions, 0.75 centers (finished in clear chromate)**

P/N 410 105 143



P/N 410 105 132



P/N 410 105 144

P/N	DESCRIPTION
-----	-------------

410 105 144 **FX Series - Single Tier Interchangeable Test Adapter (ITA) with 5 module positions, 0.75 centers, modules removed from the contact side**

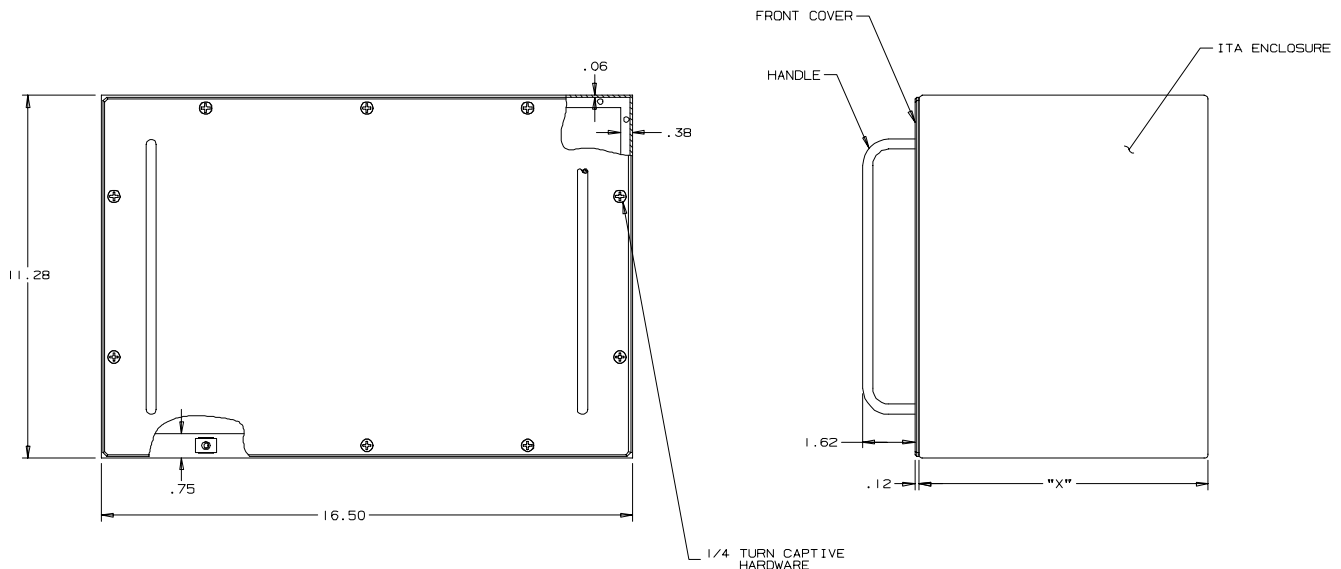
410 105 130 **Single Tier Interchangeable Test Adapter (ITA) with 5 module positions, 0.75 centers**

# ARINC 608A/30 SERIES

## ITA ENCLOSURES AND PROTECTIVE COVERS

VPC provides Enclosures with removable covers for the ARINC ITA to protect wiring and provide connector mounting. Made of aluminum, Enclosures are finished in gold chromate, painted black and are available in three depth configurations. The cover is secured by 1/4 turn captive hardware. Handles are provided for easy removal of the ITA from the Receiver. Screws for mounting the Enclosure to the ITA are included. Custom painting, silk screening and pre-punched connector mounting holes are available at an additional cost.

The Protective Cover snaps onto the bottom of the ITA, protecting the contact pins when storing the ITA. Protective Covers are available for the 5, 10 and 21 module ITAs. The body of the Protective Covers is black anodized aluminum and the mounting blocks are made of Delrin®.

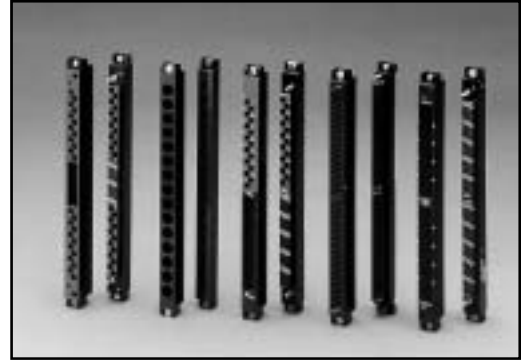


P/N 410 112 287

P/N	DESCRIPTION
410 112 286	ITA Enclosure with removable cover assembly, 21 Module positions, (Dimension "X" = 6")
410 112 287	ITA Enclosure with removable cover assembly, 21 Module positions, (Dimension "X" = 9")
410 112 288	ITA Enclosure with removable cover assembly, 21 Module positions, (Dimension "X" = 12")
410 112 357	ITA Enclosure with removable cover assembly, 10 Module positions, (Dimension "X" = 6") for P/N 410 105 132
410 112 485	ITA Enclosure with removable cover assembly, 10 Module positions, (Dimension "X" = 6") for P/N 410 105 143
410 112 358	ITA Enclosure with removable cover assembly, 5 Module positions, (Dimension "X" = 6")
410 112 302	ITA Protective Cover (21 positions) to protect contacts when ITA is stored
410 112 359	ITA Protective Cover (10 positions) to protect contacts when ITA is stored
410 112 360	ITA Protective Cover (5 positions) to protect contacts when ITA is stored

## CONNECTOR MODULES

Modules are available in various configurations to meet specific testing needs for both the standard and FX Series interfaces. VPC offers six basic Modules: 150 pin Signal; 75 pin Signal/15 pin Power; 64 pin Coax; 15 pin 18 GHz; 24 pin Power/36 pin Signal (F-22); and Blank - which can be intermixed in any configuration depending on the test requirement. An FX Series module conversion kit is available (see page 15).

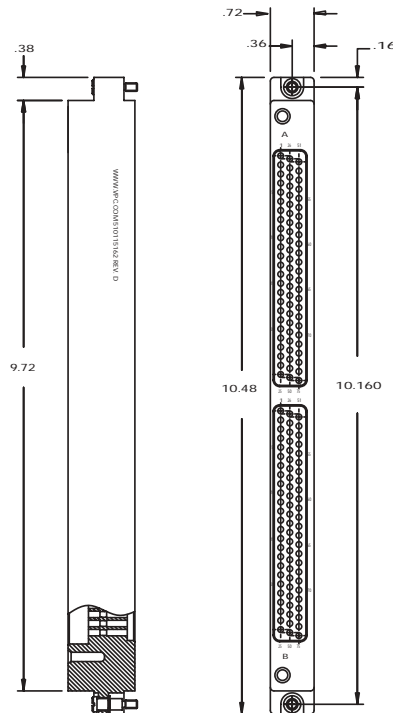
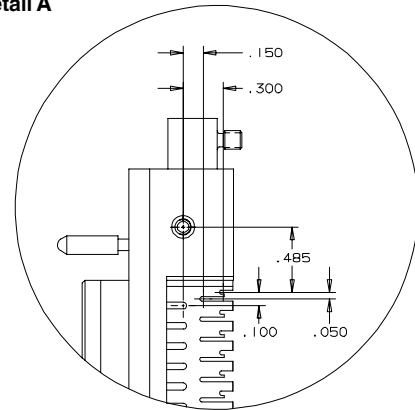


## SIGNAL MODULES

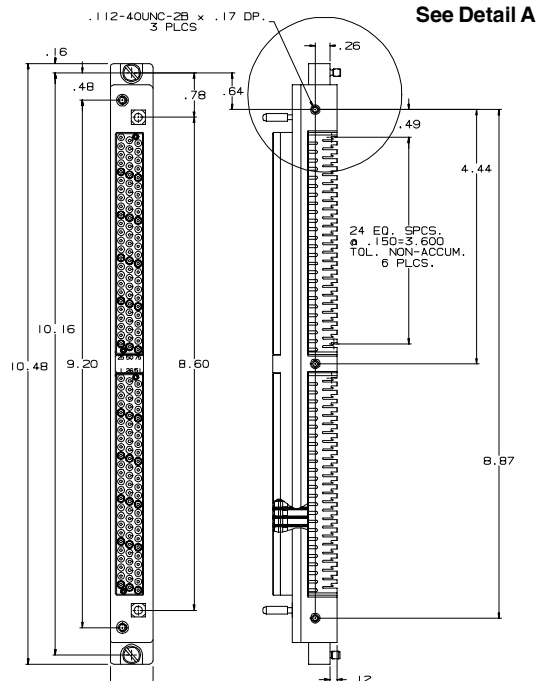
The 150 Pin Signal Receiver and ITA Modules are made from an engineered resin to meet MIL-T-28800 Class 3 operation requirement of temperatures ranging from -10°C to 55°C. Signal modules include removable guide caps and Receiver/ITA mounting hardware. Module faces are screened green with white nomenclature.

P/N	DESCRIPTION
<b>Receiver</b>	
510 112 125	Signal Receiver Module with positions for 150 1mm female contacts and mounting provisions for PCB connection (with pin alignment comb)
510 112 127	Signal Receiver Module with 150 1mm female right angle contacts and mounting provisions for PCB connection (with pin alignment comb)
510 112 141	Signal Receiver Module with positions for 150 1mm female contacts for discrete wiring (without pin alignment comb)
<b>ITA</b>	
510 115 162	<b>FX Series</b> - Signal ITA Module with positions for 150 1mm male contacts
510 115 117	Signal ITA Module with positions for 150 1mm male contacts

Detail A



P/N 510 115 162



P/N 510 112 127

# ARINC 608A/30 SERIES

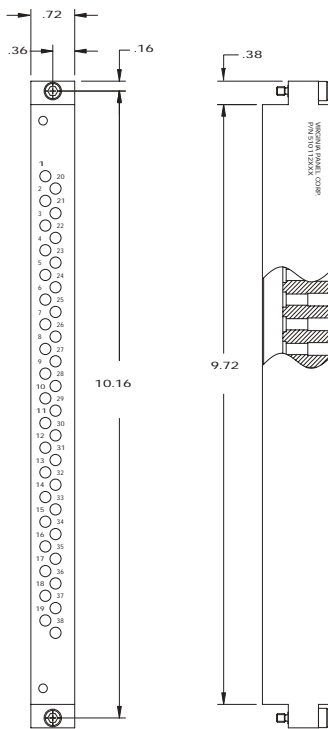
## SIGNAL/POWER MODULES

Both the 75/15 Pin Receiver and ITA Signal/Power Modules are made from engineered resin to meet MIL-T-28800 Class 3 operation requirement of temperatures ranging from -10°C to 55°C. Signal/Power modules include a removable guide cap and Receiver/ITA mounting hardware. Signal faces are screened green with white nomenclature and power faces are screened red with white nomenclature.

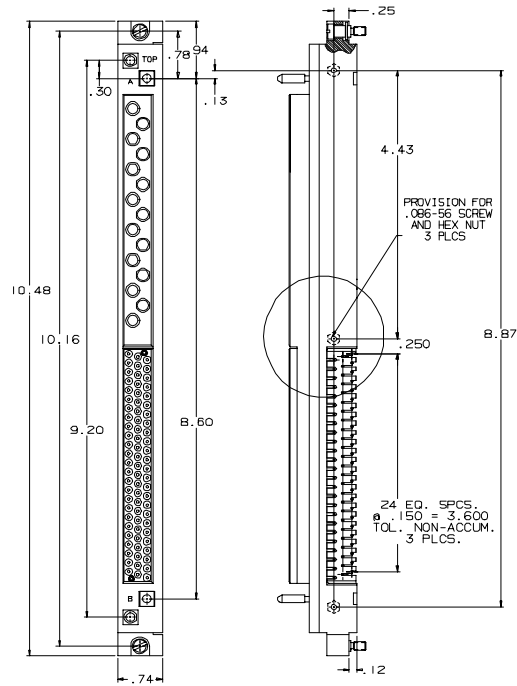
P/N	DESCRIPTION
-----	-------------

**Receiver**

- |             |  |
|-------------|--|
| 510 112 126 | Signal/Power Receiver Module with positions for 75 1mm female Signal contacts and 15 3mm female Power contacts for discrete wiring (without pin alignment comb). PCB mounting accommodated |
| 510 112 132 | Signal/Power Receiver Module with 75 1mm female (crimp or solder) Signal contacts and 15 3mm female Power contacts included for discrete wiring (without pin alignment comb)               |
| 510 112 139 | Signal/Power Receiver Module with 75 1mm female right angle Signal contacts and 15 3mm female Power contacts included for PCB mounting (with pin alignment comb)                           |

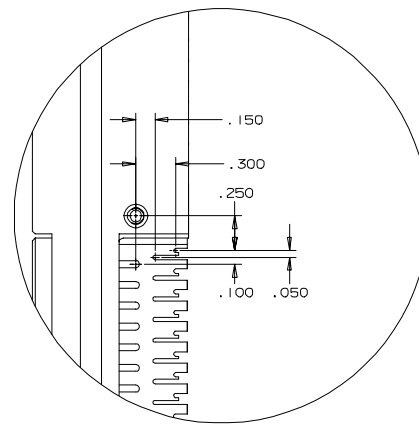


P/N 510 115 163



P/N 510 112 139

See Detail B



Detail B

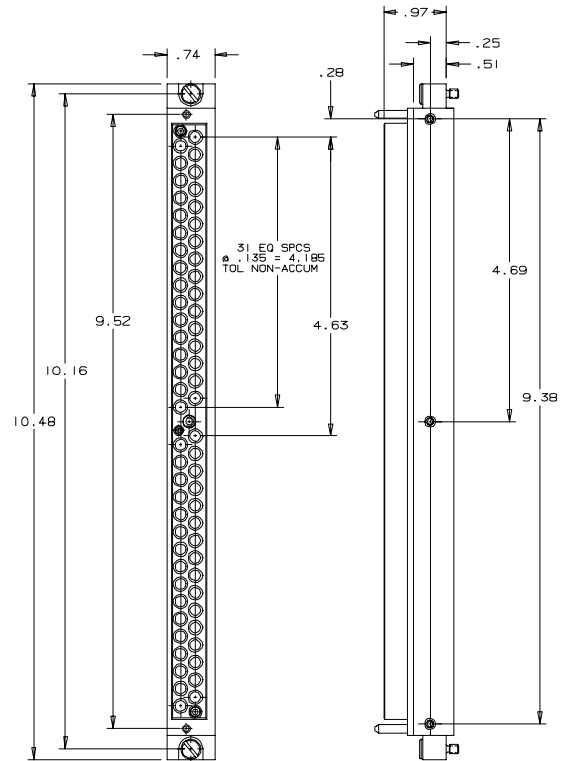
P/N	DESCRIPTION
-----	-------------

**ITA**

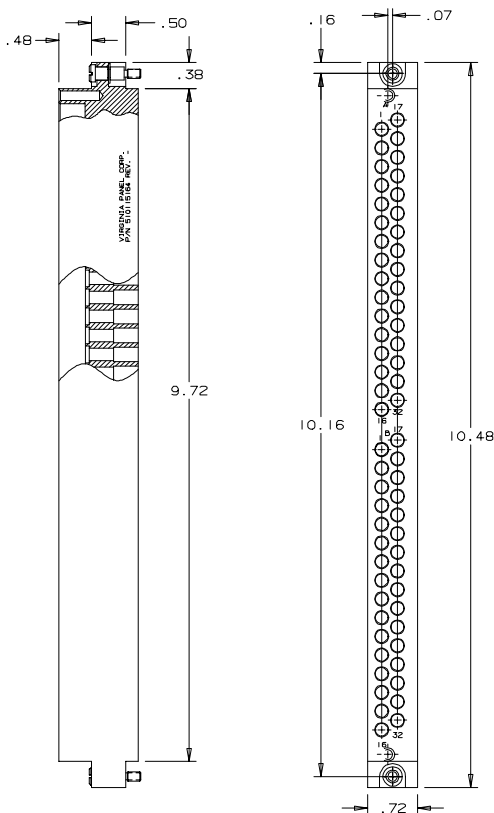
- |             |  |
|-------------|--|
| 510 115 163 | <b>FX Series</b> - Signal/Power ITA Module with positions for 75 1mm male Signal contacts and 15 3mm male Power contacts |
| 510 115 118 | Signal/Power ITA Module with positions for 75 1mm male Signal contacts and 15 3mm male Power contacts                    |
| 510 115 126 | Signal/Power ITA Module with positions for 36 1mm male Signal contacts and 24 3mm male Power contacts                    |

## COAXIAL MODULES

Both the 64 Position Coaxial Receiver and ITA Modules are made from G-10 to meet MIL-T-28800 Class 3 operation requirements of temperatures ranging from -10°C to 55°C. Coaxial module faces are screened green with white nomenclature. Receiver/ITA mounting hardware included. The Coaxial Receiver Module has a lead-in funnel cap allowing the coax pins to properly mate under any conditions.



P/N 510 112 160



P/N 510 115 164

### P/N/DESCRIPTION

#### Receiver

510 112 160 Coaxial Receiver Module with 64 positions for PCB mounting and discrete wiring.

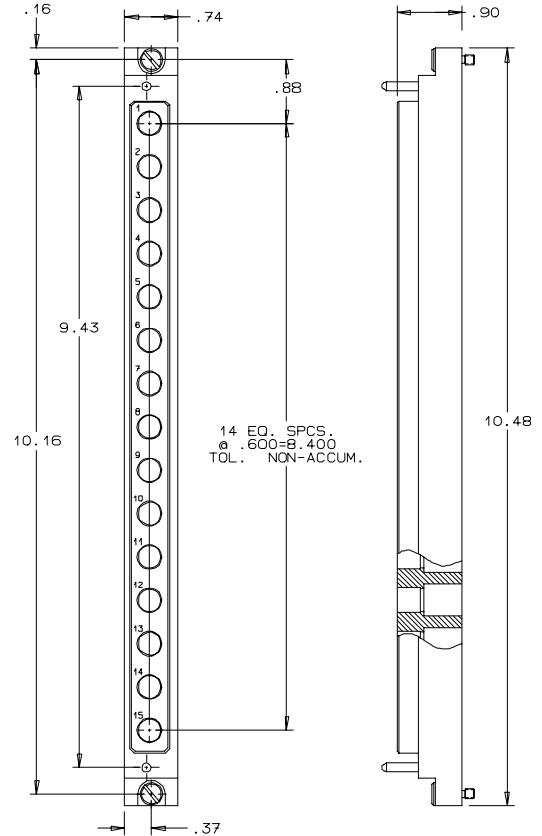
#### ITA

510 115 164 **FX Series** - Coaxial ITA Module with 64 positions for discrete wiring.  
510 115 116 Coaxial ITA Module with 64 positions for discrete wiring.

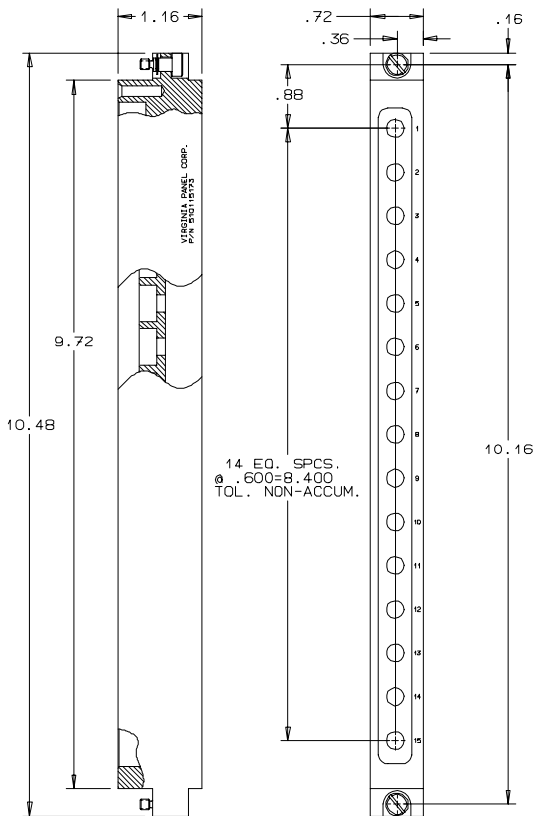
# ARINC 608A/30 SERIES

## 18 GHz MODULES

Both the 18 GHz Coaxial Receiver and ITA Modules are made from G-10 to meet MIL-T-28800 Class 3 operation requirements of temperatures ranging from -10°C to 55°C. The module face is screened green with white nomenclature. The 18 GHz module can be used for slot 19, which is user defined, and is designed for direct SMA connection.



P/N 510 112 162



P/N 510 115 173

P/N	DESCRIPTION
<b>Receiver</b>	
510 112 162	Coaxial Receiver Module with 15 positions for 18 GHz contacts
<b>ITA</b>	
510 115 174	<b>FX Series</b> - Coaxial ITA Module with 15 positions for 18 GHz contacts
510 115 173	Coaxial ITA Module with 15 positions for 18 GHz contacts

**BLANK ITA/RECEIVER MODULE**

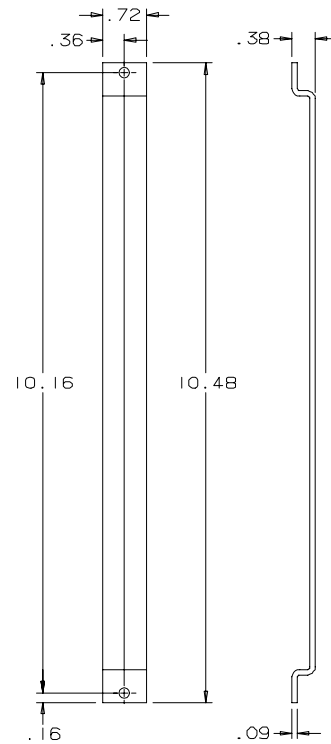
Blank Modules are made from aluminum with a black anodized finish and are for unused areas in the Receiver and ITA (Standard and FX Series).

P/N	DESCRIPTION
510 112 110	Blank ITA/Receiver Module

**MODULE ACCESSORIES**

The modules used in the standard ARINC 608A ITA can also be used in the FX Series ITA by modifying the screws used to secure the modules in the ITA. A kit containing two screws and two matching retaining rings can be ordered to convert existing modules to FX Series modules.

P/N	DESCRIPTION
510 109 162	<b>FX Series -</b> Module Conversion Kit, includes two shoulder screws and two retaining rings (for P/N 510 115 116/117/126/173)



**P/N 510 112 110**

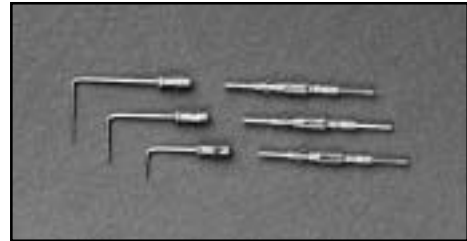
# ARINC 608A/30 SERIES

## CONTACTS AND PATCHCORDS

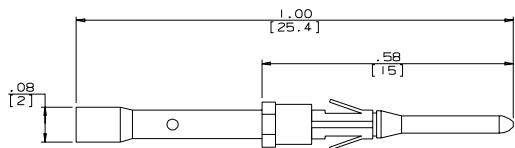
Contacts and Patchcords are available in various sizes and configurations. Contacts can be ordered separately and terminated by crimping, soldering and/or wire-wrapping. A cross reference listing tools needed can be found on pages 22-23.

### SIGNAL CONTACTS AND PATCHCORDS

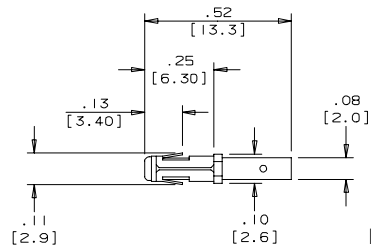
SIGNAL contacts carry up to 7.5 amperes continuous. Resistance ranges from 3 milliohms maximum initial to 20 milliohms after conditioning.



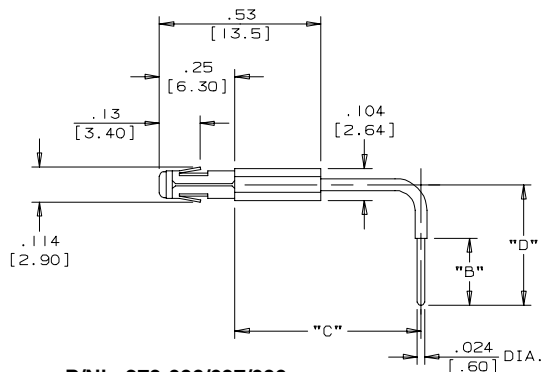
P/N	DESCRIPTION	USED IN MODULE
<b>Receiver</b>		
273 896	Female 1mm Signal Contact for right angle PCB, Row 1	510 112 125/127/139
273 897	Female 1mm Signal Contact for right angle PCB, Row 2	510 112 125/127/139
273 898	Female 1mm Signal Contact for right angle PCB, Row 3	510 112 125/127/139
610 113 120	Female 1mm Signal Contact (crimp/solder), 20 AWG	510 112 125/126/132/141/142
728 101 101	Female 1mm Signal Patchcord, 24", 24 AWG stranded wire, white Teflon, contact one end	510 112 125/126/132/141/142
<b>ITA</b>		
610 113 138	Male 1mm Signal Contact (crimp/solder), 20 AWG	510 115 117/118/126 & 510 115 162/163/166
610 113 143	Male 1mm Signal Contact .025 square post (wire wrap)	510 115 117/118/126 & 510 115 162/163/166
610 113 157	Male 1mm Signal Contact, 18 AWG	510 115 117/118/126 & 510 115 162/163/166
728 102 102	Male 1mm Signal Patchcord, 36", 24 AWG stranded wire, white Teflon, contact one end	510 115 117/118/126 & 510 115 162/163/166



P/N 610 113 138



P/N 610 113 120



P/N's 273 896/897/898

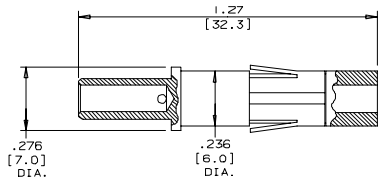
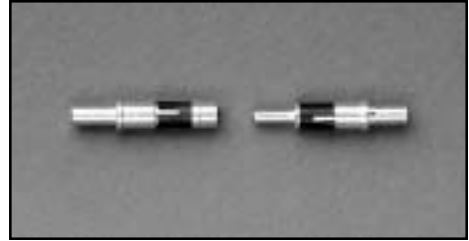
PART NO.	"B" DIM.	"C" DIM.	"D" DIM.
273 896	.159, [4.05]	.454, [11.52]	.246, [6.26]
273 897	.220, [5.60]	.604, [15.33]	.396, [10.07]
273 898	.220, [5.60]	.754, [19.14]	.546, [13.88]

Dimensions in inches (mm)

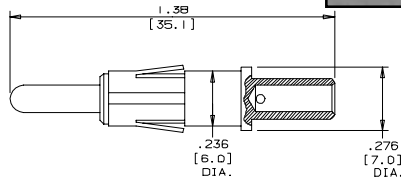


**POWER CONTACTS AND PATCHCORDS**

POWER contacts carry a current rating of up to 30 amperes continuous. Resistance ranges from 1.0 milliohms initial to 1.5 after conditioning.



P/N 610 113 122

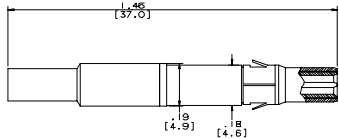
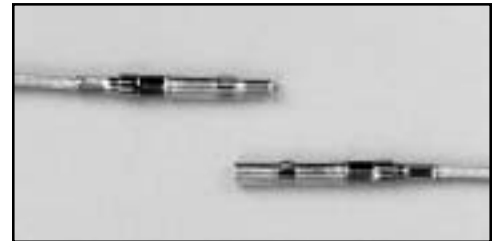


P/N 610 113 124

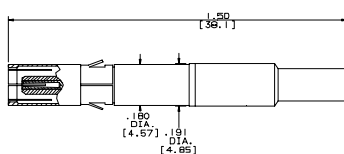
P/N	DESCRIPTION	USED IN MODULE
<b>Receiver</b>		
610 113 122	Female 3mm Power Contact, 12 AWG (solder)	510 112 126/132/139/142
728 101 102	Female 3mm Power Patchcord, 36", 16 AWG stranded wire, white Teflon, contact one end	510 112 126/132/139/142
<b>ITA</b>		
610 113 124	Male 3mm Power Contact, 12 AWG (solder)	510 115 118/126/163/166
728 102 104	Male 3mm Power Patchcord, 36", 16 AWG stranded wire, white Teflon, contact one end	510 115 118/126/163/166

**COAXIAL CONTACTS AND PATCHCORDS**

COAXIAL contacts have a maximum VSWR of less than 1.1 at 1.1 GHz. Insertion and extraction force is 24 ounces.



P/N 610 103 142



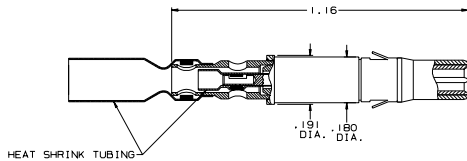
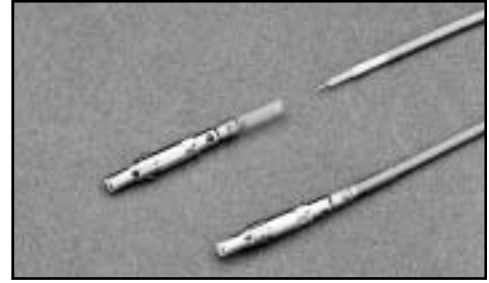
P/N 610 104 144

P/N	DESCRIPTION	USED IN MODULE
<b>Receiver</b>		
610 104 144	Contact Assembly, female coaxial, for RG 316	510 112 160
610 104 148	Contact Assembly, female coaxial, for RG 178	510 112 160
610 104 153	Contact Assembly, female coaxial, for RG 316, Double Shielded	510 112 160
610 104 155	Contact Assembly, female coaxial, for RG 178, Double Shielded	510 112 160
710 107 254	Female Coaxial Patchcord, 36", RG 316, contact one end	510 112 160
710 107 257	Female Coaxial Patchcord, 60", RG 316, contact one end	510 112 160
<b>ITA</b>		
610 103 142	Contact Assembly, male coaxial, for RG 316	510 115 116/164
610 103 151	Contact Assembly, male coaxial, for RG 178	510 115 116/164
610 103 153	Contact Assembly, male mini-coaxial, Wire Wrap, 50 μ" gold	510 115 116/164
610 103 165	Contact Assembly, male coaxial, for RG 316, Double Shielded	510 115 116/164
710 106 239	Male Coaxial Patchcord, 36", RG 316, contact one end	510 115 116/164

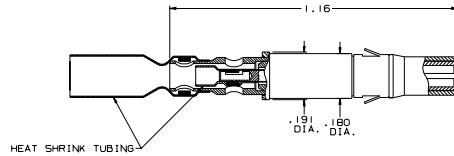
# ARINC 608A/30 SERIES

## SOLDER SLEEVE® FOR COAXIAL TERMINATION

The solder sleeve is a durable, reliable and economical alternative to traditional crimping methods. Made of heat-shrinkable thermoplastic, the sleeve contains a fluxed solder pre-form which provides the exact amount of solder and flux required to connect coaxial wire to the contact. The solder sleeve's one-piece, pre-assembled design makes application as easy as stripping the wire, inserting it and heating the contact. After shrinking, the sleeve acts as an insulator and provides strain relief for the solder joint. Connection errors are reduced by the use of a specially designed holding fixture and a pre-designated location for heat application. To ensure proper connection, VPC offers a tool kit containing the holding fixture with the appropriate adapter and a separate heating gun.

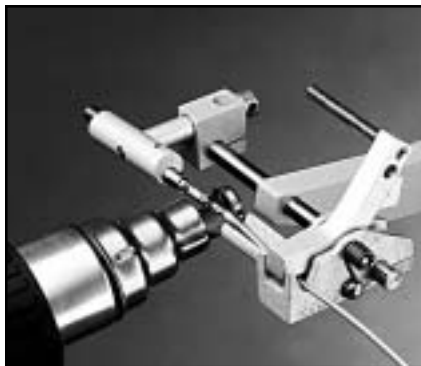


P/N 610 103 145



P/N 610 104 145

P/N	DESCRIPTION	USED IN MODULE
<b>Receiver</b>		
610 104 145	Contact Assembly, female coaxial, for RG 316 & 178	510 112 160
<b>ITA</b>		
610 103 145	Contact Assembly, male coaxial, for RG 316 & 178	510 115 116/164



Termination in 3 Easy Steps:

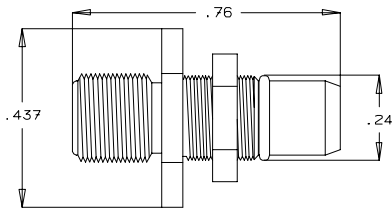
1. Strip the wire.
2. Insert the wire into the contact.
3. Heat the contact in the designated location.

## FEATURES & BENEFITS

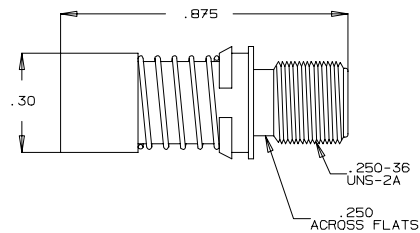
- Durable Heat-Shrinkable Thermoplastic* — acts as an insulator and strain relief when heat is applied
- Reliable Connection* — sleeve contains a fluxed solder pre-form with the exact amount of solder and flux to terminate wire to the contact
- Economical* — reduces termination time with one-piece, pre-assembled design
- Ease of Termination* — accomplished in just 3 easy steps

## 18 GHz CONTACTS

The 18 GHz COAXIAL contact's VSWR is 1.05 and increases  $0.005f(\text{GHz})$  up to 18 GHz. RF leakage is greater than  $-(90-f\text{GHz})$  dB. Insertion loss is  $.06 \times f(\text{GHz})$ . Contact resistance is less than 2 milliohms (center and outer contacts). Both Receiver and ITA Contacts accept an SMA plug.



P/N 610 102 107



P/N 610 102 108

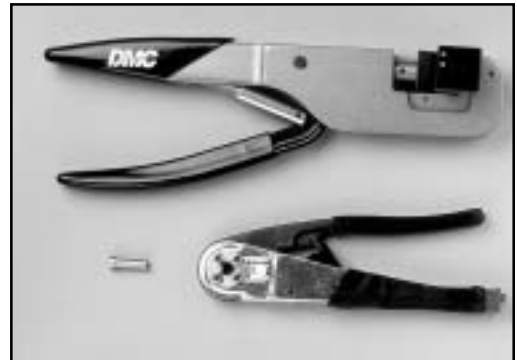
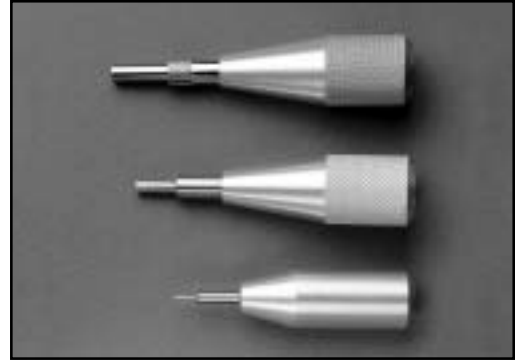
P/N	DESCRIPTION	USED IN MODULE
<b>Receiver</b>		
610 102 108	Female Coaxial 18 GHz Contact, for SMA plug	510 112 162
<b>ITA</b>		
610 102 107	Male Coaxial 18 GHz Contact, for SMA plug	510 115 173/174

# ARINC 608A/30 SERIES

## RECEIVER AND ITA TOOLS

To assist in determining the proper tools needed, refer to the cross reference charts on pages 22 - 23.

P/N	DESCRIPTION
910 110 107	Extraction Tool for 1mm contacts ITA/Receiver
910 110 108	Extraction Tool for 3mm contacts ITA/Receiver
910 112 104	Extraction Tool for Coaxial Contact ITA/Receiver
910 109 112	Extraction Tool for Receiver Modules
910 109 113	Extraction Tool for Receiver Coaxial Modules
910 112 115	Extraction Tool for 18 GHz Contacts (Receiver)
910 104 120	Positioner for 1mm ITA Contacts
910 104 123	Positioner for 1mm Receiver Contacts
910 104 126	Coaxial Hex Replacement Crimp Die with Locator for use with Daniels HX4 Crimp Tool Handle
910 101 103	Crimp Tool for 1mm Contacts
910 101 115	Crimp Tool for Coaxial Contacts
910 121 119	Center Conductor Forming Tool (RCVR)
910 121 143	Center Conductor Enlarging Tool (RCVR)
910 121 146	Extraction Force Inspection Gage for Coaxial Contacts
910 121 156	Inspection Depth Gage for Mini-Coaxial Contacts (RCVR)
910 121 157	Inspection Depth Gage for Mini-Coaxial Contacts (ITA)
910 121 165	Wrench for 18 GHz Contacts (ITA)
910 121 144	Solder Kit for ARINC Coax, includes adapter (for P/N 610 103 145 and 610 104 145)
910 121 149	Adapter for use with Raychem holding fixture AD-1319
910 121 160	Steinel Heat Gun with Nozzle (110V)
910 121 167	Steinel Heat Gun with Nozzle (for Europe) (220V)



**NOTES:**

## PRODUCT CROSS REFERENCE

### RECEIVER CONTACTS & PATCHCORDS

Receiver Contacts & Patchcords	Receiver Modules								Crimp Tools		Extraction Tools				Other Tools									
	510 112 125	510 112 126	510 112 127	510 112 132	510 112 139	510 112 141	510 112 160	510 112 162	910 101 103	910 101 115	910 110 107	910 110 108	910 112 104	910 112 115	910 121 119	910 104 123	910 121 143	910 121 144	910 121 146	910 121 149	910 121 156	910 121 160	910 121 167	
273 896	ï		ï		ï						ï													
273 897	ï		ï		ï						ï													
273 898	ï		ï		ï						ï													
610 102 108								ï						ï										
610 104 144							ï		ï			ï		ï		ï		ï		ï		ï		
610 104 145							ï					ï					ï	ï	ï	ï	ï	ï	ï	ï
610 104 148							ï		ï			ï		ï		ï		ï		ï		ï		
610 104 153							ï		ï			ï		ï		ï		ï		ï		ï		
610 104 155							ï		ï			ï						ï		ï		ï		
610 113 120	ï	ï		ï		ï			ï		ï				ï						ï			
610 113 122		ï		ï	ï							ï												
710 107 254							ï						ï											
710 107 257							ï						ï											
728 101 101	ï	ï		ï		ï					ï													
728 101 102		ï		ï	ï							ï												

**ITA CONTACTS & PATCHCORDS**

ITA Contacts & Patchcords	ITA Modules								Crimp Tools		Extraction Tools			Other Tools								
	510 115 116	510 115 117	510 115 118	510 115 126	510 115 162	510 115 163	510 115 164	510 115 173	510 115 174	910 101 103	910 101 115	910 110 107	910 110 108	910 112 104	910 104 120	910 121 144	910 121 149	910 121 157	910 121 160	910 121 165	910 121 167	
610 102 107								ï	ï												ï	
610 103 142	ï						ï				ï			ï				ï				
610 103 145	ï						ï							ï		ï	ï	ï	ï			ï
610 103 151	ï						ï				ï			ï				ï				
610 103 153	ï						ï				ï			ï				ï				
610 103 165	ï						ï				ï			ï				ï				
610 113 124			ï	ï		ï							ï									
610 113 138		ï	ï	ï	ï	ï					ï		ï			ï						
610 113 143		ï	ï	ï	ï	ï							ï									
610 113 157		ï	ï	ï	ï	ï					ï		ï			ï						
710 106 239	ï						ï							ï								
728 102 102		ï	ï	ï	ï	ï							ï									
728 102 104			ï	ï		ï							ï									

# ARINC 608A/30 SERIES

## PART NUMBER INDEX

Part #	Description	Page	Part #	Description	Page
273 896	Contact, RCVR Signal, Right Angle .....	16	*610 102 107	Contact, ITA 18 GHz .....	19
273 897	Contact, RCVR Signal, Right Angle .....	16	*610 102 108	Contact, RCVR 18 GHz .....	19
273 898	Contact, RCVR Signal, Right Angle .....	16	*610 103 142	Contact, ITA Coax, RG316 .....	17
310 105 110	Receiver 21 Module Position .....	2	610 103 145	Contact, ITA Coax, Solder Sleeve .....	18
310 105 123	Receiver 5 Module Position .....	3	610 103 151	Contact, ITA Coax, RG178 .....	17
310 105 124	Receiver 10 Module Position .....	3	610 103 153	Contact, ITA Mini-Coax, Wire Wrap, 50 μ" gold .....	17
310 113 193	RCVR Mounting Adapter Plate, 21 Position .....	4	610 103 165	Contact, ITA Coax, Double Shielded .....	17
310 113 202	RCVR Hinged Vert. Mntg. Frame, 21 Pos. ....	6	*610 104 144	Contact, RCVR Coax, RG316 .....	17
310 113 203	RCVR Mounting Adapter Plate, 5 Position .....	5	610 104 145	Contact, RCVR Coax, Solder Sleeve .....	18
310 113 204	RCVR Mounting Adapter Plate, 10 Position .....	5	610 104 148	Contact, RCVR Coax, RG178 .....	17
310 113 212	RCVR Hinged Vert. Mntg. Frame, 10 Pos. ....	6	610 104 153	Contact, RCVR Coax, RG316, Double Shielded ....	17
310 113 213	RCVR Hinged Vert. Mntg. Frame, 5 Pos. ....	6	610 104 155	Contact, RCVR Coax, RG178, Double Shielded ....	17
310 113 214	RCVR Protective Cover, 21 Position .....	7	*610 113 120	Contact, RCVR Signal Crimp/Solder .....	16
310 113 215	RCVR Protective Cover, 10 Position .....	7	*610 113 122	Contact, RCVR Power .....	17
310 113 216	RCVR Protective Cover, 5 Position .....	7	*610 113 124	Contact, ITA Power .....	17
410 105 121	ITA 21 Module Position .....	8	*610 113 138	Contact, ITA Signal, Crimp/Solder .....	16
410 105 130	ITA 5 Module Position .....	9	610 113 143	Contact, ITA Signal, Wire Wrap .....	16
410 105 132	ITA 10 Module Position .....	9	610 113 157	Contact, ITA Signal, 1mm, 18AWG .....	16
410 105 142	ITA 21 Module Position, FX Series .....	8	710 106 239	Patchcord, ITA Coax, 36", RG316 .....	17
410 105 143	ITA 10 Module Position, FX Series .....	9	710 107 254	Patchcord, RCVR Coax, 36", RG316 .....	17
410 105 144	ITA 5 Module Position, FX Series .....	9	710 107 257	Patchcord, RCVR Coax, 60", RG316 .....	17
410 112 286	ITA Enclosure, 21 Position, X=6" .....	10	728 101 101	Patchcord, RCVR Sig., 24", 24 AWG .....	16
410 112 287	ITA Enclosure, 21 Position, X=9" .....	10	728 101 102	Patchcord, RCVR Pwr., 36", 16 AWG .....	17
410 112 288	ITA Enclosure, 21 Positions, X=12" .....	10	728 102 102	Patchcord, ITA Sig., 36", 24 AWG .....	16
410 112 302	ITA Protective Cover, 21 Positions .....	10	728 102 104	Patchcord, ITA Pwr., 36", 16 AWG .....	17
410 112 357	ITA Enclosure, 10 Position, X=6" .....	10	*910 101 103	Crimp Tool for 1mm Contacts .....	20
410 112 358	ITA Enclosure, 5 Position, X=6" .....	10	*910 101 115	Crimp Tool for Coax Contacts .....	20
410 112 359	ITA Protective Cover, 10 Positions .....	10	910 104 120	Positioner for 1mm ITA Contacts .....	20
410 112 360	ITA Protective Cover, 5 Positions .....	10	910 104 123	Positioner for 1mm RCVR Contacts .....	20
410 112 485	ITA Enclosure, 10 Position, X=6" .....	10	910 104 126	Coax Replacement Hex Crimp Die .....	20
510 109 162	FX Series Module Conversion Kit .....	15	910 109 112	Extraction Tool for RCVR Modules .....	20
510 112 110	Module, RCVR/ITA Blank .....	16	910 109 113	Extraction Tool for RCVR Cx Modules .....	20
510 112 125	Module, RCVR Signal, 150 Positions .....	11	910 110 107	Extraction Tool for 1mm Contacts .....	20
510 112 126	Module, RCVR Sig/Pwr, 75/15 Pos .....	12	910 110 108	Extraction Tool for 3mm Contacts .....	20
510 112 127	Module, RCVR Signal, 150 Pins, PCB .....	11	*910 112 104	Extraction Tool for Coax Contacts .....	20
510 112 132	Module, RCVR Sig/Pwr, 75/15 Pins .....	12	910 112 115	Extraction Tool for 18 GHz, RCVR .....	20
510 112 139	Module, RCVR Sig/PWR, 75/15 Pins, PCB .....	12	910 121 119	Center Conductor Forming Tool .....	20
510 112 141	Module, RCVR Signal, 150 Pos., discrete .....	11	910 121 143	Center Conductor Enlarging Tool .....	20
510 112 160	Module, RCVR Coaxial 64 Positions .....	13	910 121 144	Solder Kit for Coax Contacts .....	20
510 112 162	Module, RCVR 18 GHz, 15 Positions .....	14	910 121 146	Extraction Force Inspection Gage .....	20
510 115 116	Module, ITA Coaxial, 64 Positions .....	13	*910 121 149	Adapter for Raychem Holding Fixture .....	20
510 115 117	Module, ITA Signal, 150 Positions .....	11	910 121 156	Inspection Depth Gage for Mini-Coax Cnt (RCVR) .	20
510 115 118	Module, ITA Sig/Pwr, 75/15 Pos. ....	12	910 121 157	Inspection Depth Gage for Mini-Coax Cnt (ITA) .....	20
510 115 126	Module, ITA Sig/Pwr, 36/24 Pos .....	12	910 121 160	Steinel Heat Gun with Nozzle .....	20
510 115 162	Module, ITA Signal, 150 Pos., FX Series .....	11	910 121 165	Wrench for 18 GHz Contacts .....	20
510 115 163	Module, ITA Sig/Pwr, 75/15 Pos., FX Series .....	12	910 121 167	Steinel Heat Gun with Nozzle (for Europe) .....	20
510 115 164	Module, ITA Coaxial, 64 Pos., FX Series .....	13			
510 115 173	Module, ITA 18 GHz, 15 Pos. ....	14			
510 115 174	Module, ITA 18 GHz, 15 Pos. FX Series .....	14			

\* denotes item typically available in 2-3 weeks