

G²⁰ G^{20x} G^{40x} G^{14x}

Pull-Thru, Scalable Solutions

The Standard for Pull-Through Systems since 2004

VPC's pull-thru Mass InterConnect interfaces deliver reliable performance in an innovative platform. Designed on 0.80" (20.32 mm) centers to correspond with PXI system slot requirements, the G20, G20x, G40x and G14x systems provide the convenience of direct connection to instrument modules, enabling pull through removal of connector modules and instrumentation from the chassis backplane.



Features and Benefits

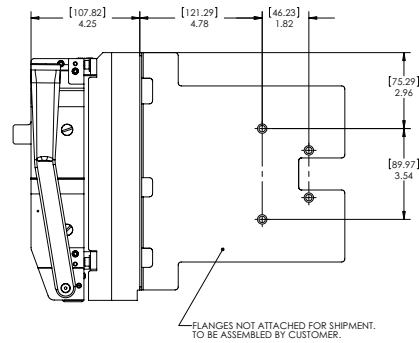
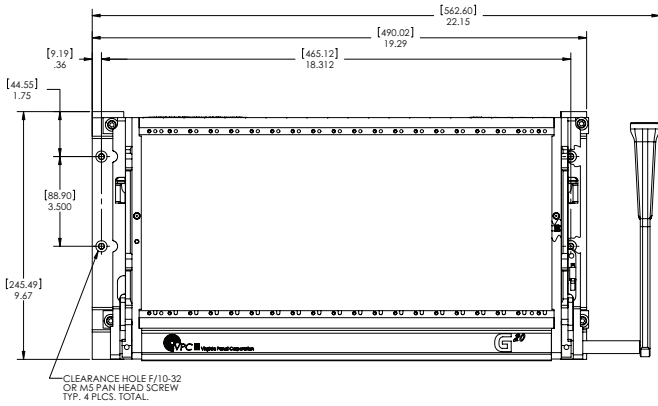
- Unique "Pull-Through" Design with InterConnect Adapters
- Compact System Size
- Proven VPC QuadraTrack Engagement Mechanism
- Quick Changeover of Instrumentation by Removal of InterConnect Module Adapter Assembly
- Less Wiring with Direct Connection to Instrument Front Panel Connectors

- Protect Delicate Instrument Connectors and Reduces Cost Associated with Low Cycle-Life Interconnects
- Reliable DUT Connections beyond 20,000 Mating Cycles
- Use all VPC Standard 90 Series Modules
- Direct Mount to a PXI Chassis using PCB and/or InterConnect Adapter

G20 Receiver ▼

Specifications

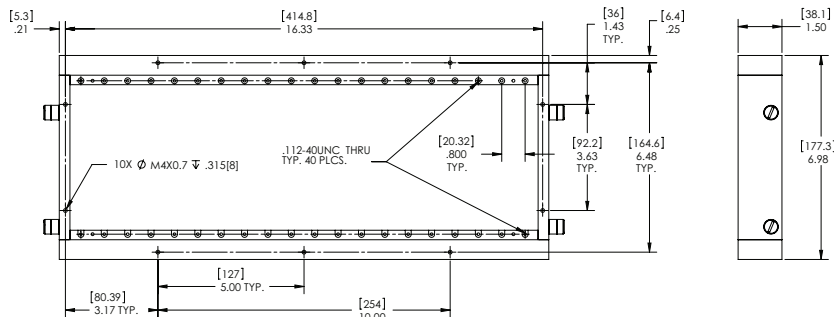
Weight	7.5 lbs [3.41 kg]
Frame	Anodized Aluminum
Slide Material	Nickel Plated Steel
Linkage, Handle, Latch	Stainless Steel
Available Module Slots	20 Positions
Cycle Life	20,000 Cycles
Temperature	-55°C to 85°C
Maximum Weight Support	25 lbs @ 6" (11 kg @ 15.25 cm)



G20 ITA ▼

Specifications

Weight	3.3 lbs [1.49 Kg]
Frame Material	Chromated Aluminum
Available Module Slots	20 Positions
Cycle Life	20,000 Cycles
Temperature	-55°C to 85°C



Part

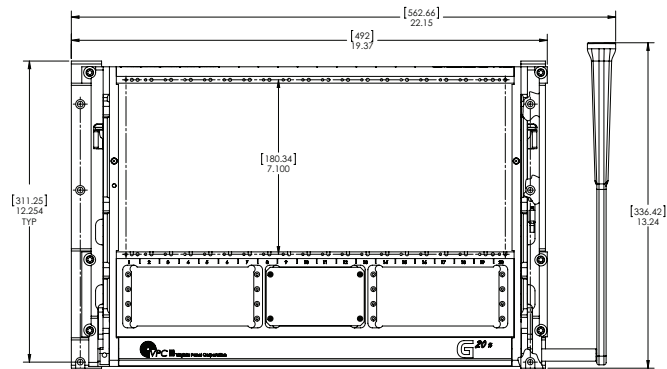
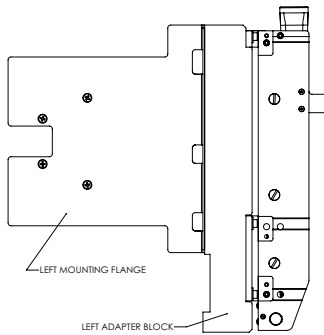
Description

310 113 422	Protective Cover, G20, Receiver
310 120 142	Receiver, G20, 20 Module, with Mounting Flanges for National Instruments Chassis (PXI-1045/1065)
310 120 143	Receiver, G20, 20 Module, with Mounting Flanges for Pickering Chassis (40-908, 40-914, 40-918)
410 112 790	Enclosure, 20 Module, Hinged Cover Plate, 4" Deep
410 120 199	ITA, G20, 20 Module
410 120 206	ITA, G20, 20 Module, Keying Feature

G20x Receiver ▼

Specifications

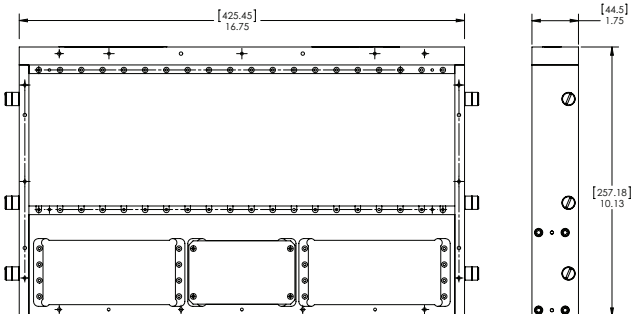
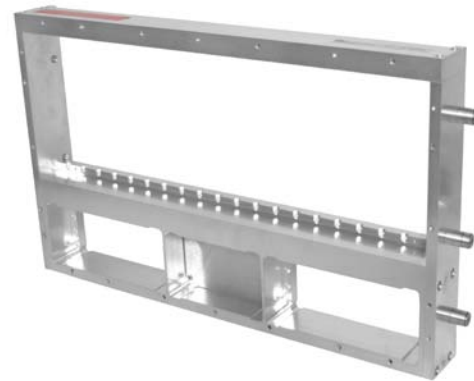
Frame	Anodized Aluminum
Slide Material	Nickel Plated Steel
Linkage, Handle, Latch	Stainless Steel
Available Module Slots	20 Vertical + 8 Horizontal + optional 320 position module or 2 iCon modules (with adapter)
Cycle Life	20,000 Cycles
Temperature	-55°C to 85°C



G20x ITA ▼

Specifications

Frame Material	Chromated Aluminum
Available Module Slots	20 Vertical + 8 Horizontal + optional 320 position module or 2 iCon modules (with adapter)
Cycle Life	20,000 Cycles
Temperature	-55°C to 85°C



Part #	Description
--------	-------------

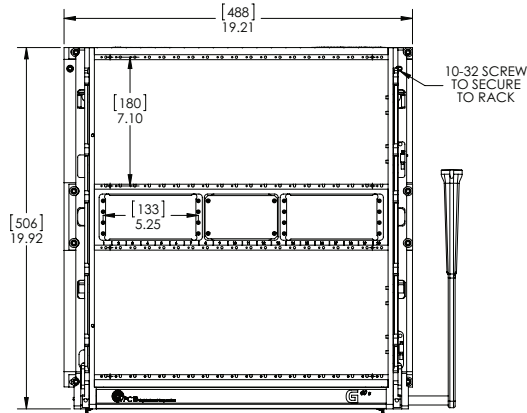
310 120 155	Receiver, G20x, 28 Module
410 120 210	ITA, G20x, 28 Module
410 112 984	Enclosure, G20x, 16"x8"x10"
310 113 606	Adapter Plate, Allows G20x Receiver to accept 2 iCon Modules
410 112 996	Adapter Plate, Allows G20x ITA to accept 2 iCon Modules



G40x Receiver ▼

Specifications

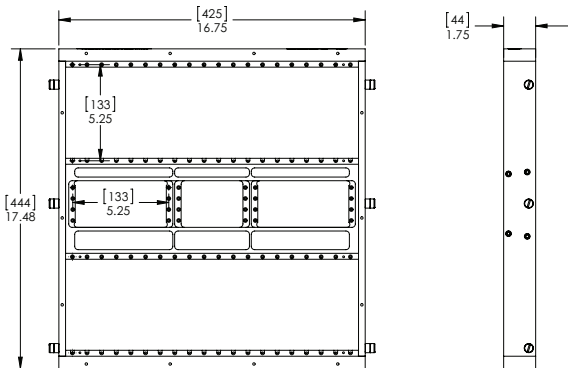
Frame	Anodized Aluminum
Slide Material	Nickel Plated Steel
Linkage, Handle, Latch	Stainless Steel
Available Module Slots	40 Vertical + 8 Horizontal + optional 320 position module or 2 iCon modules (with adapter)
Cycle Life	20,000 Cycles
Temperature	-55°C to 85°C



G40x ITA ▼

Specifications

Frame Material	Chromated Aluminum
Available Module Slots	40 Vertical + 8 Horizontal + optional 320 position module or 2 iCon modules (with adapter)
Cycle Life	20,000 Cycles
Temperature	-55°C to 85°C



Part

Description

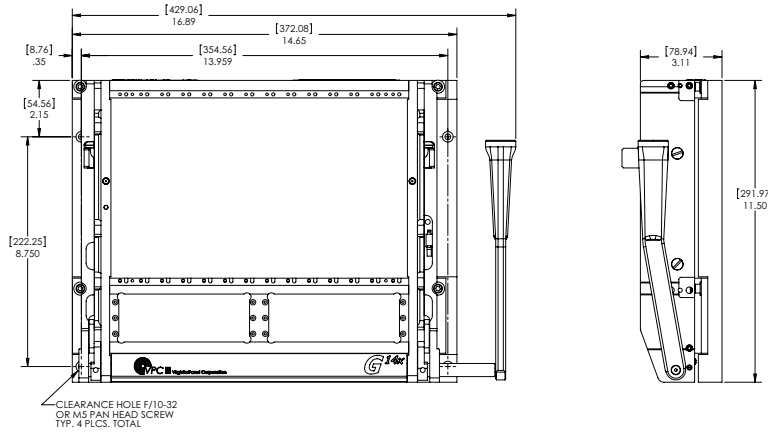
310 120 163	Receiver, G40x, 48 Module, with Slide Mounting Kit (slide kit required)
410 120 216	ITA, G40x, 48 Module
310 113 411	30" Slide Kit, Fits 28"-32" Deep Racks, Supports 180 lbs.
310 113 451	28" Slide Kit, Fits 26"-30" Deep Racks, Supports 180 lbs.
310 113 500	36" Slide Kit, Fits 34"-38" Deep Racks, Supports 180 lbs.
310 113 606	Adapter Plate, Allows G20x Receiver to accept 2 iCon Modules
410 112 996	Adapter Plate, Allows G20x ITA to accept 2 iCon Modules



G14x Receiver ▼

Specifications

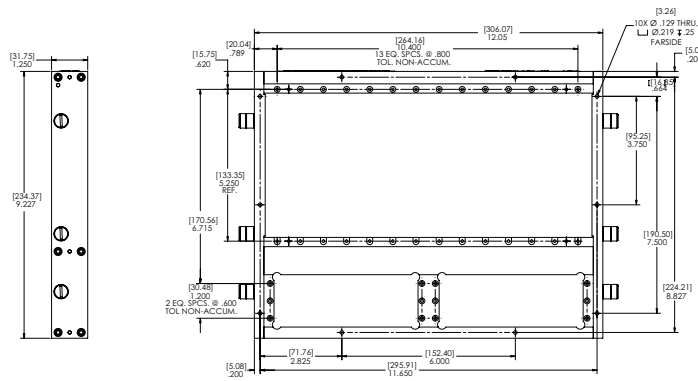
Frame	Anodized Aluminum
Slide Material	Nickel Plated Steel
Linkage, Handle, Latch	Stainless Steel
Available Module Slots	14 Vertical + 6 Horizontal
Cycle Life	20,000 Cycles
Temperature	-55°C to 85°C



G14x ITA ▼

Specifications

Frame Material	Chromated Aluminum
Available Module Slots	14 Vertical + 6 Horizontal
Cycle Life	20,000 Cycles
Temperature	-55°C to 85°C

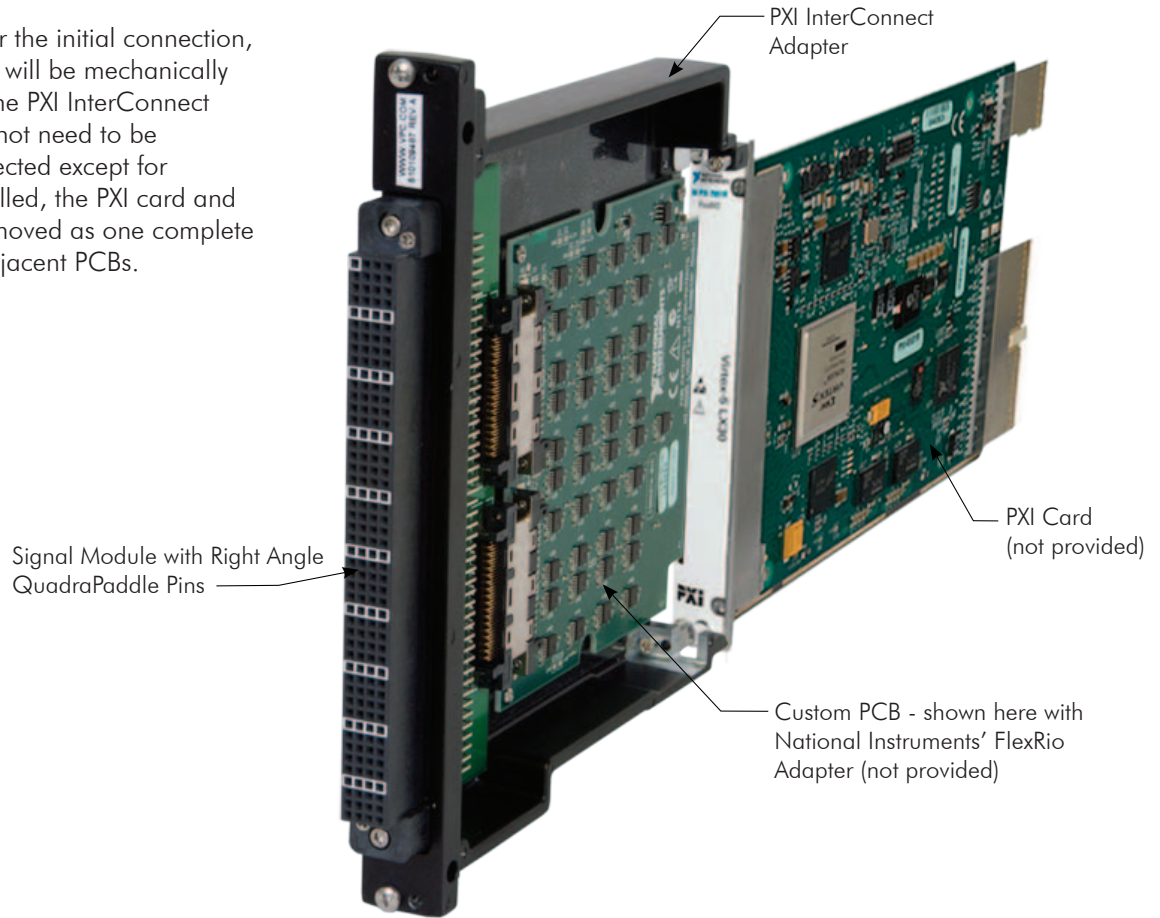


Part #	Description
310 120 145	Receiver, G14x, 20 Module
410 120 203	ITA, G14x, 20 Module
310 113 567	Chassis Mount Kit for National Instruments PXI-1062 Chassis, G14x Receiver



PCB SOLUTIONS

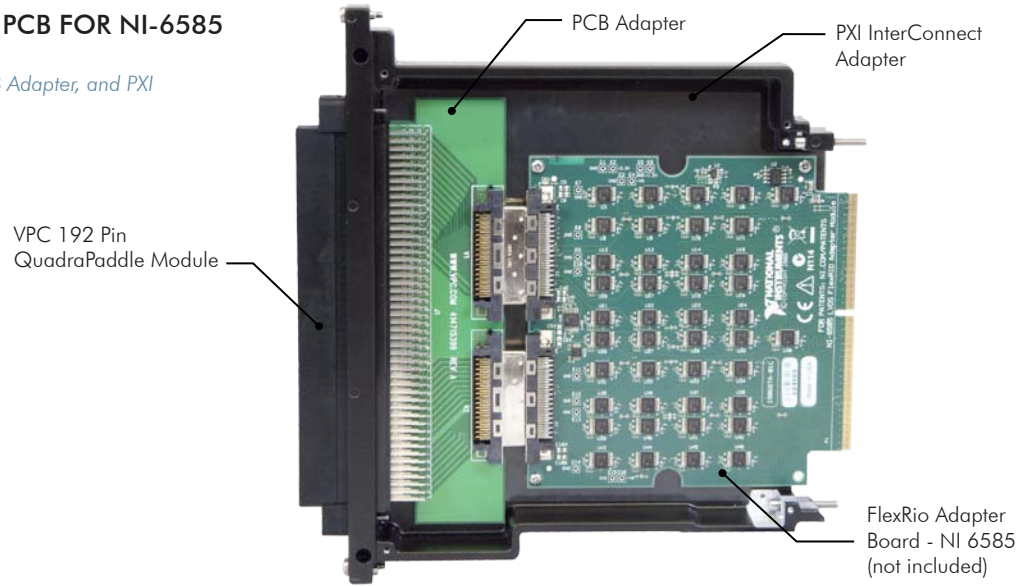
Easy maintenance: After the initial connection, the PXI card and the PCB will be mechanically fixed to each other with the PXI InterConnect adapter. These parts will not need to be disassembled or disconnected except for maintenance. Once installed, the PXI card and PCB assembly can be removed as one complete unit without disturbing adjacent PCBs.



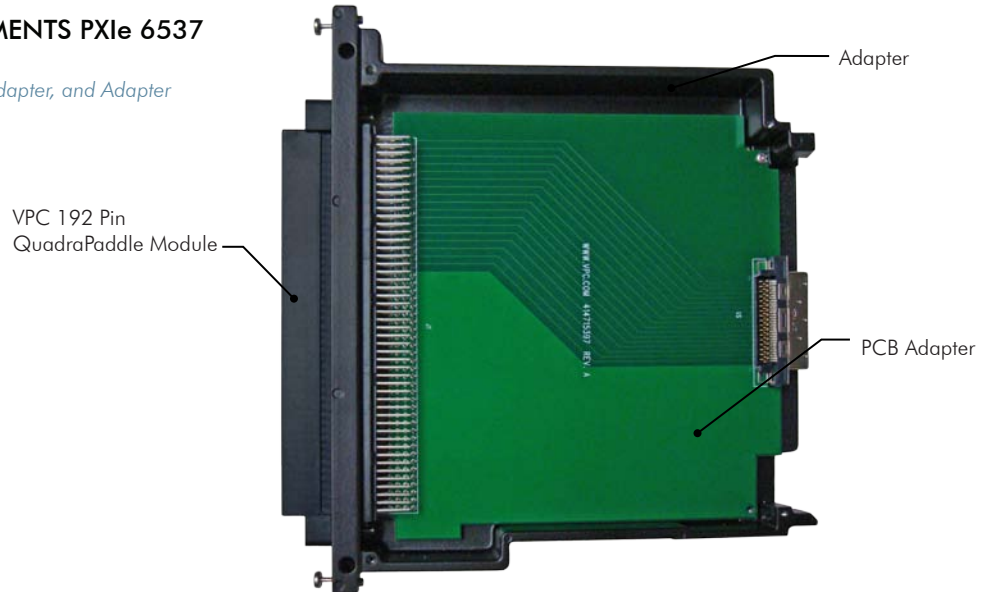
Part #	Description
MODULES AND ADAPTERS	
510 104 118	Blank Module, ITA, 1 Module Position
510 130 113	Blank Module, G20, Receiver
510 109 461	PXI InterConnect Adapter, Single Slot, 1 Module Position
510 109 462	PXI Module Adapter, Single Slot, 1 Module Position
510 140 136	Wired Adapter for PXI, 192 Quadrapaddle to 200 Pin LFH, partially wired, refer to drawing for wire list
510 150 204	Signal Module, Receiver, 192 Position Quadrapaddle with Right Angle Contacts for custom PCB mounting
ADAPTERS FOR NATIONAL INSTRUMENTS	
510 109 465	Wired Adapter for National Instruments PXIe-8234
510 109 469	Wired Adapter for National Instruments PXI-4110
510 109 470	PCB Adapter for National Instruments PXI-8431/8
510 109 473	PCB Adapter for National Instruments PXIe-6537
510 109 487	PCB Adapter for National Instruments PXI-6585R
510 109 491	PXI InterConnect Adapter, 4 slot, Flex Print for National Instruments PXI-2800
510 140 105	Wired Adapter for PXI, for National Instruments PXI-2567
510 140 107	Wired Adapter for PXI, for National Instruments PXI-4070
510 140 110	Wired Adapter for PXI, for National Instruments PXI-6225
510 140 113	Wired Adapter for PXI, for National Instruments PXI-6515
ADAPTERS FOR PICKERING	
510 109 485	PCB Adapter for Pickering 40-535-021
510 109 488	PCB Adapter for Pickering 40-670A-022-99/2



- ▶ **INTERCONNECT ADAPTER WITH PCB FOR NI-6585**
PART # 510 109 487
includes 192 pin QuadraPaddle Module, PCB Adapter, and PXI InterConnect Adapter



- ▶ **ADAPTER FOR NATIONAL INSTRUMENTS PXIe 6537**
PART # 510 109 473
includes 192 pin QuadraPaddle Module, PCB Adapter, and Adapter



- ▶ **VPC PXI INTERCONNECT ADAPTER**
PART # 510 109 461

