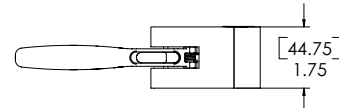
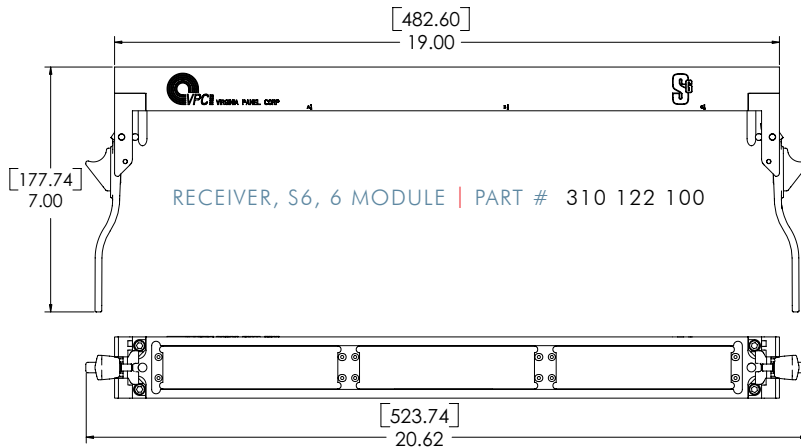
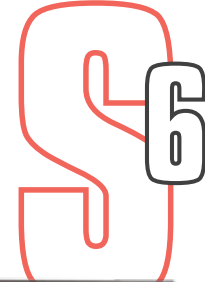




S6 Skooter 1U-Low Profile Solution

The new S6 from VPC offers a **low profile, cost-effective Mass InterConnect system** for rack and tabletop testing applications. With six modular connector positions, **the S6 accepts multiple combinations of mixed signal types**, including Digital, Coax/RF, Pneumatic, Thermocouple, Analog, Power, Vacuum, and Fiber Optic. Designed to withstand the rigors of repeated mating and unmating cycles, the S6 provides an ideal platform for consolidating multiple test instrument connections while **only occupying 1U of rack space**. With two **innovative, positive-lock latching mechanisms for reliable engagement**, the receiver unit has **integrated guide pins to ensure consistent lead-in with every connection**.



ORDERING INFORMATION

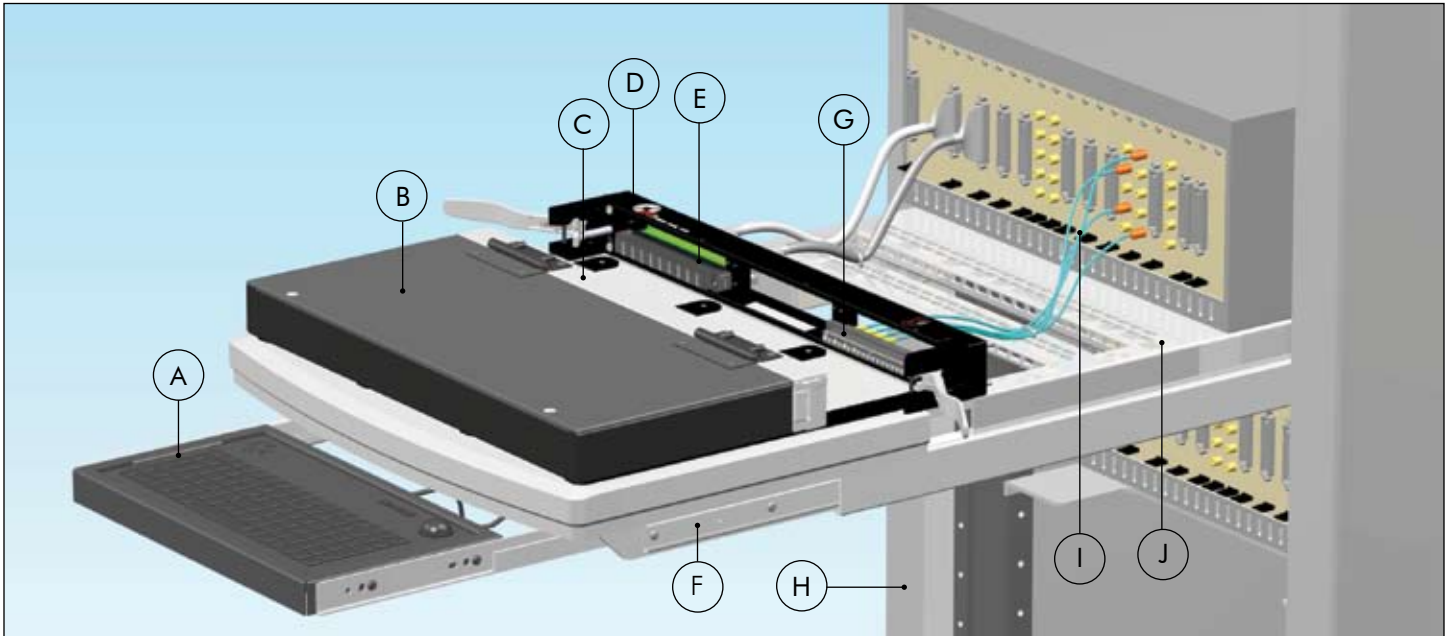
VPC.COM

540.932.3300

PART #	DESCRIPTION
310 122 100	Receiver, S6, 6 Module
310 122 101	Receiver, S6, 6 Module With 15" Platform
410 122 100	ITA, S6, 6 Module
310 113 431	Rear Cover, S6, Tabletop Configuration, for 310 122 100
310 113 444	Rear Cover, S6, Tabletop Configuration, for 310 122 101
410 112 701	Enclosure, S6, 1.75" x 18" x 8"
410 112 703	Enclosure, S6, 4" x 18" x 12"
410 112 702	Enclosure, S6, 1.75" x 18" x 8" for Discrete Wiring
410 112 712	Enclosure, S6, 4" x 18" x 12" for Discrete Wiring
310 113 432	Protective Cover, Receiver, S6
410 112 700	Protective Cover, ITA, S6
310 113 430	Rack Extender Kit, S6, 4" Deep
310 113 409	20" Slide Kit, Fits 18"-21.8" Deep Racks, Supports 180 lbs.
310 113 410	24" Slide Kit, Fits 22"-25.8" Deep Racks, Supports 180 lbs.
310 113 451	28" Slide Kit, Fits 26"-29.8" Deep Racks, Supports 180 lbs.
310 113 411	30" Slide Kit, Fits 28"-31.8" Deep Racks, Supports 180 lbs.
310 113 439	Keyboard Tray Kit, Slide Configuration
310 113 424	Cable Tray, Slide Configuration
310 113 453	Instrument Bracket Kit with Strain Relief, Slide Configuration



S6 Slide Configuration with Accessories



- A. Keyboard Tray Kit
- B. ITA Enclosure
- C. S6 ITA
- D. S6 Receiver

- E. PCB Adapter
- F. Slide Kit
- G. Receiver Module
- H. Rack with Instruments

- I. Receiver Patchcords
- J. Instrument Bracket Kit with Strain Relief



Available in a slide and tabletop configurations, the S6 optional aluminum platform accommodates ICT and other bed-of-nails testing requirements. Integrated guide pins and proven engagement mechanisms provide precise lead-in, while pin & socket modules and contacts ensure reliable connections to over 20,000 mating cycles.

The slide accessories include a cable tray, instrument brackets and a keyboard tray kit. The instrument bracket kit with strain relief also attach to the slides and provide easy access to the chassis. The keyboard tray kit includes a keyboard with a trackball and a 58" USB cable. The keyboard tray kit also includes a smaller set of slides and can be neatly tucked beneath the platform when it is not in use.

