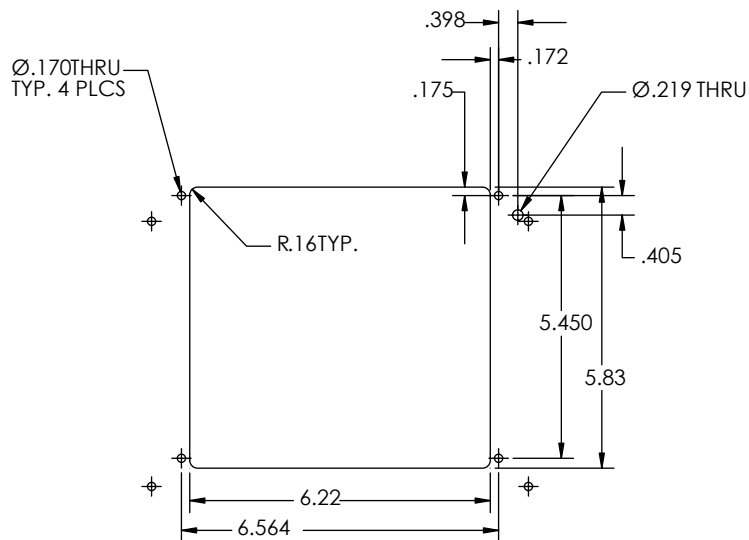
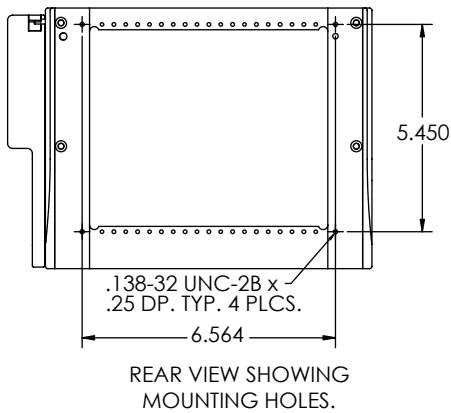
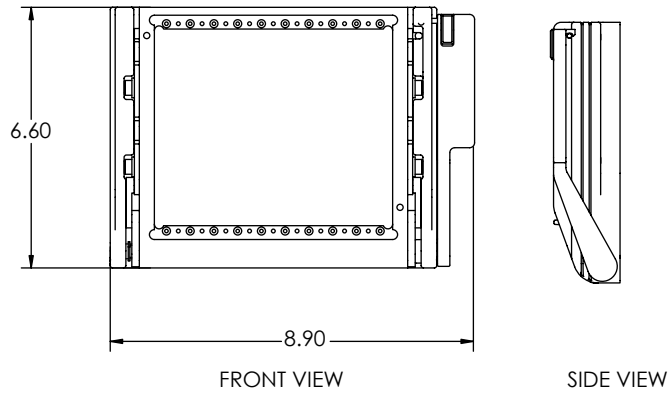


2106 & 2110 Instructions - Section 11

2110 Receiver, Part # 310 104 317 • Mounting Specifications



MOUNTING HOLE SPECIFICATIONS