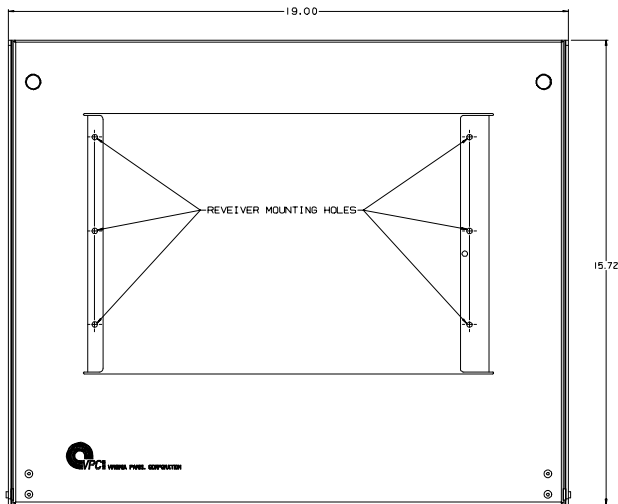


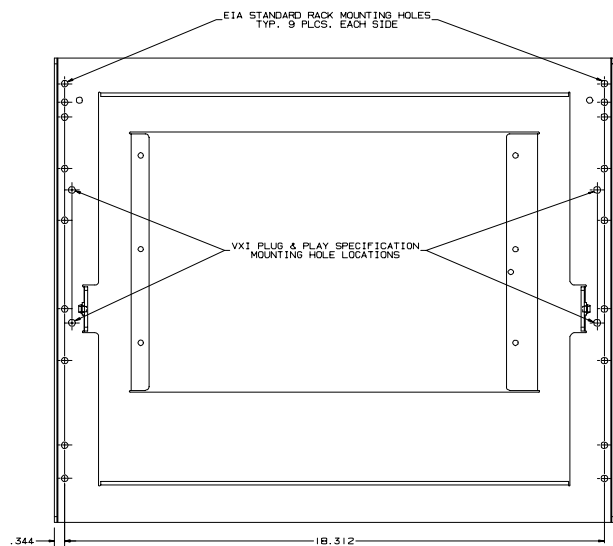
**Mounting Gemini Receiver to Vertical Hinged Mounting Frames — Section 4**

Virginia Panel has developed two Vertical Hinged Mounting Frames to be used with a standard rack or VXI chassis. It is recommended that only the 9U Vertical Hinged Mounting Frame be mounted to a VXI chassis.

These mounting frames attach to flanges supplied by the chassis manufacturer\*, allowing the Receiver to bolt directly on the mounting plate. Special alignment hardware is not required.

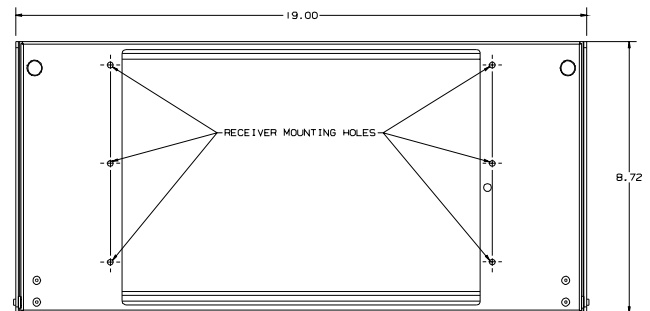


FRONT VIEW

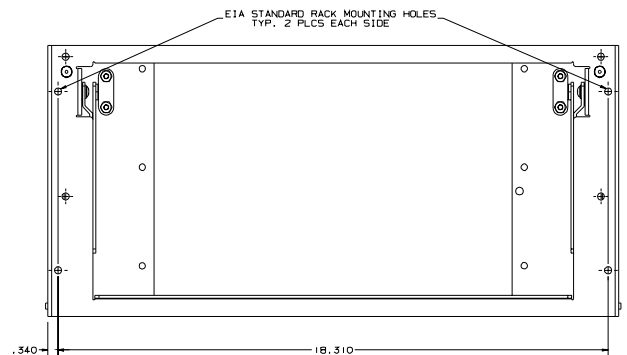


REAR VIEW

**P/N 310 113 328**



FRONT VIEW



REAR VIEW

**P/N 310 113 322**

\*Flanges must be ordered from the manufacturer when ordering the chassis.