

KEYING PIN KIT, RECEIVER AND ITA

PART # 310 113 501

The SL4 keying kit includes two pins and screws which provide six different keying options. The SL4 system is designed to accept two kits which increase the keying options to 36.



TOOLS REQUIRED

$\frac{3}{32}$ Allen wrench

INSTALLATION

1. Align the keying pin in the desired location. Place the keying pin in the hexagonal opening in the SL4 receiver. See Figure 1.
2. Secure the keying pin with the 4-40 screw.
3. Secure the other keying pin in the corresponding location in the SL4 ITA. See **Figure A**.

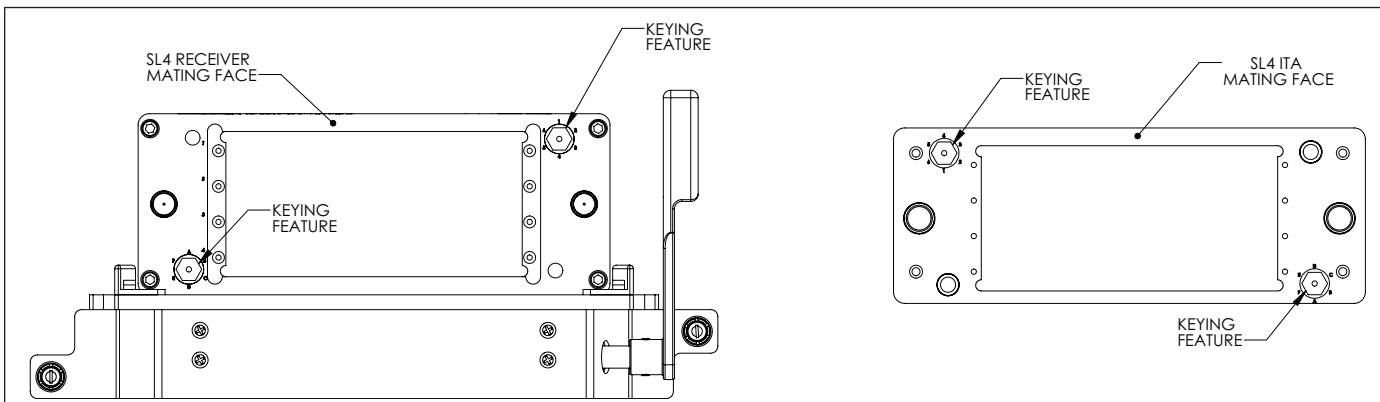


Figure A. In order to mate the SL4, the keying pins must be in opposite positions on the receiver and ITA.