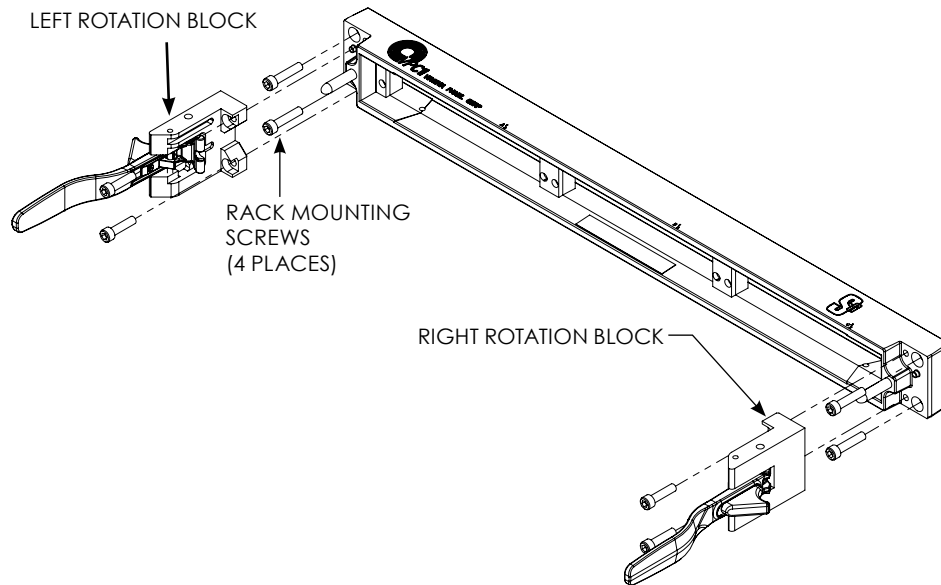


3. S6 Rotation Block Removal

1. Remove the four #10-32 screws and then remove the rotation blocks.
2. Insert the rack mounting screws in the four holes provided.
3. Reinstall the rotation blocks. The illustration below shows a keying feature that ensures proper replacement of the rotation blocks.



If the rails in your rack are not tapped you will need to purchase #10-32 cage nuts.
 NOTE: If you use metric hardware you may replace the provided #10-32 screws with M5 screws.



The rotation blocks were also designed with a tongue and groove feature to prevent placing the ITA in upside down.