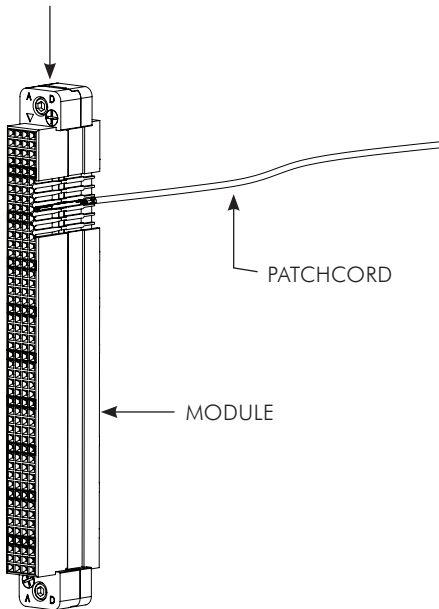


11. QuadraPaddle Receiver Modules Contact Extraction Procedure ▼

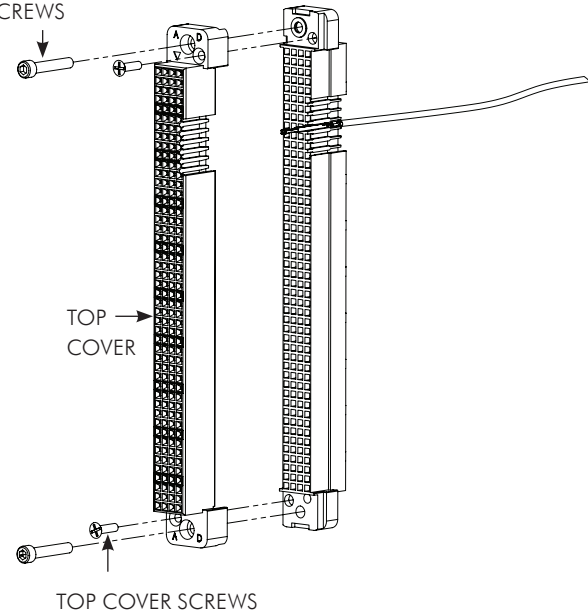
1. This module has a contact fully seated in it.
To remove the contact, follow the next 4 directions.

COMPLETE QP RECEIVER
MODULE ASSEMBLY



2. Remove module mounting screws.
3. Remove the top cover screws.
4. Remove top cover.

MODULE MOUNTING
SCREWS



5. Make sure the tool is completely seated before pressing the plunger.
6. See the QuadraPaddle User's Manual for more details.

EXTRACTION TOOL
PART # 910 110 112

