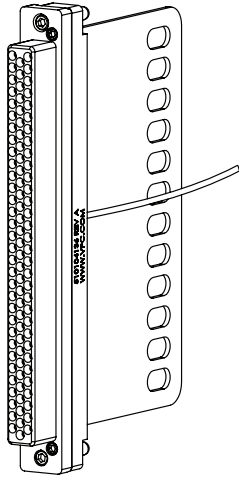
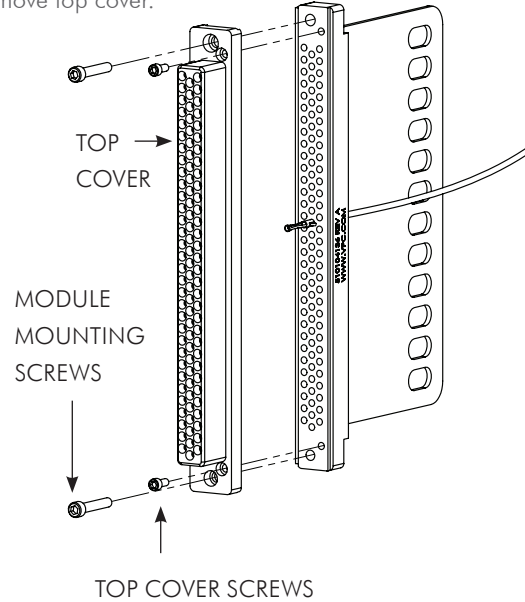


### 13. TriPaddle Receiver Modules Contact Extraction Procedure

1. This module has a contact fully seated in it. To remove the contact, follow the next 4 directions.



2. Remove module mounting screws.  
3. Remove top cover screws.  
4. Remove top cover.



5. Push the contact extraction tool until the contact comes out of the module.

