

4

3

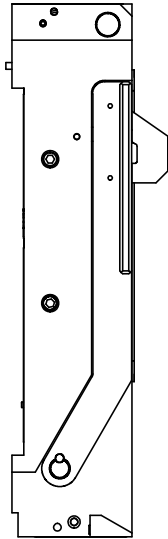
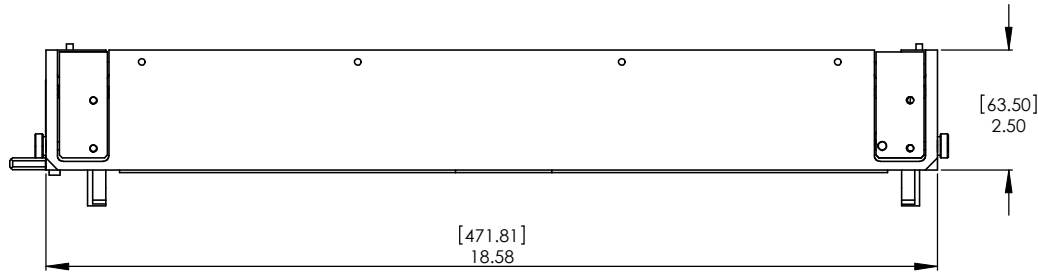
2

1

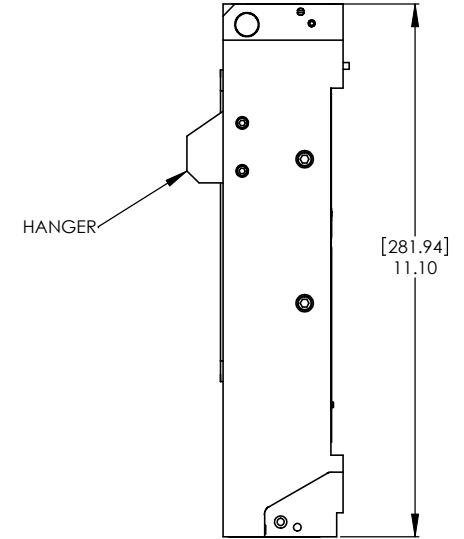
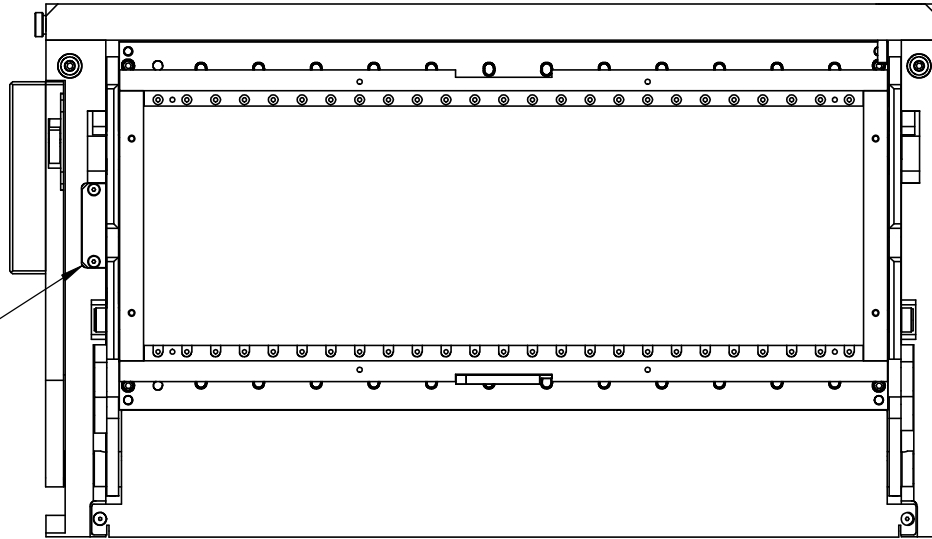
DO NOT SCALE DRAWING

THE INFORMATION CONTAINED HEREIN IS THE EXCLUSIVE PROPERTY OF VIRGINIA PANEL CORPORATION AND IS SUBMITTED FOR USE BY THE CUSTOMER ONLY. THE DATA SHALL NOT BE DUPLICATED, USED, OR DISCLOSED IN WHOLE OR IN PART FOR ANY PURPOSE OTHER THAN TO MAINTAIN THE EQUIPMENT PROVIDED. CONSULT WITH VIRGINIA PANEL CORPORATION ENGINEERING IF MORE DETAIL IS REQUIRED.

REVISIONS			
REV	DESCRIPTION	DATE	ENGR
L	ECN# 08-310-0115	10/29/08	G LACONI



2  
MICROSWITCH



3. (1) 3/32 ALLEN WRENCH INCLUDED FOR MODULE MOUNTING.

2 MICROSWITCH WIRING: N/C - RED  
N/O - WHITE  
COM - BLK

1. FOR APPLICATION USE & CARE INFORMATION CONSULT VPC USERS GUIDE @WWW.VPC.COM

NOTES:

<b>CUSTOMER DRAWING</b>			
<b>VIRGINIA PANEL CORPORATION</b> WWW.VPC.COM			
<b>VXI RECEIVER ASSEMBLY</b>			
SIZE: C	CAGE CODE: 18117	DWG. NO.: 310104127	REV: L
SCALE: 1:5		310104127	SHEET 1 OF 1

MATING ITA	PROTECTIVE COVER	PLUG AND PLAY PLATE
410104111	310113163	310113248

DIMENSIONS ARE SHOWN AS:  
[MILLIMETERS]  
INCHES

4

3

2

1