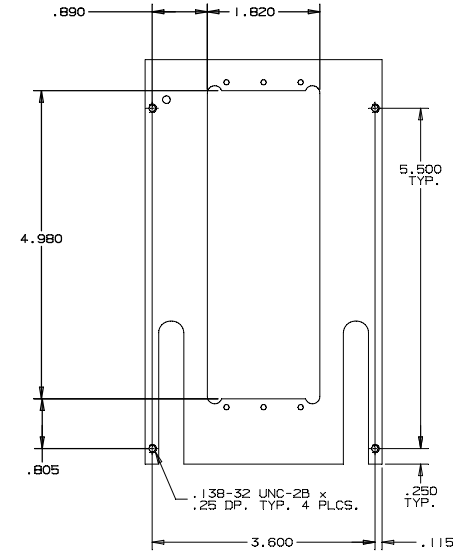
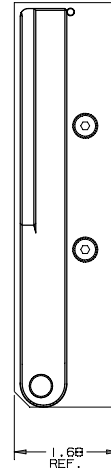
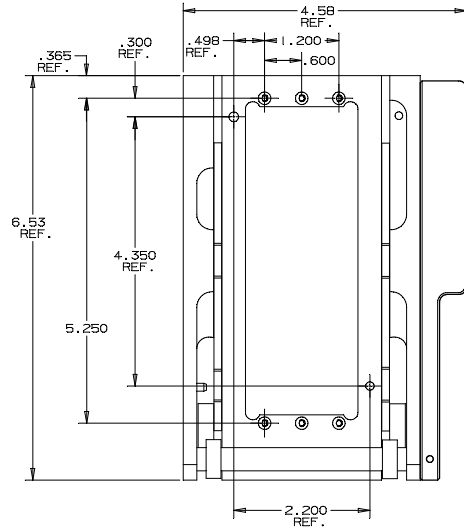
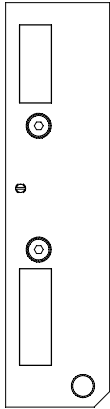
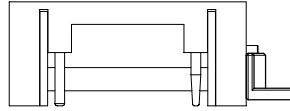


8 7 6 5 4 3 2 1

DO NOT SCALE DRAWING

THE INFORMATION CONTAINED HEREIN IS THE EXCLUSIVE PROPERTY OF VIRGINIA PANEL CORP. AND IS SUBMITTED FOR USE BY THE CUSTOMER ONLY. THE DATA SHALL NOT BE DUPLICATED, REPRODUCED, OR DISCLOSED IN WHOLE OR IN PART FOR ANY PURPOSE OTHER THAN TO MAINTAIN THE EQUIPMENT PROVIDED.

REVISIONS				
ZONE	REV	DESCRIPTION	DATE	APPROVED
	E	INCORPORATED ECN #2757	1/19/03	MD



REAR VIEW SHOWING MOUNTING HOLES.

CUSTOMER DRAWING

310104176

FIND NO.	QTY	CODE	IDENT	PART NO.	DESCRIPTION	SOURCE OF SUPPLY
PARTS LIST						
DIMENSIONS ARE IN INCHES UNLESS OTHERWISE SPECIFIED.			CONTRACT NO.		SIGNATURES	
TOLERANCES ARE:			DR	R GARMAN	DATE	
.XXX4 OCS ANG ±			CHK	H BURGERSS	3/20/91	
REMOVE BURRS. BREAK SHARP EDGES.			ENG			
MATERIAL			APPD	H BURGERSS	3/20/91	
FINISH			APPD			
NEXT ASSY USED ON					SIZE/FSCM NO. D18117 DWG NO. 4227 37 000 REV E	
APPLICATION					SCALE: 1:1 42273700 3/24/94 SHEET 1 OF 1	

VIRGINIA PANEL CORP.
RECEIVER, 90 SERIES-3 MODULE WITH HANDLE ON RIGHT SIDE

8 7 6 5 4 3 2 1