

4

3

2

1

DO NOT SCALE DRAWING

THE INFORMATION CONTAINED HEREIN IS THE EXCLUSIVE PROPERTY OF VIRGINIA PANEL CORPORATION AND IS SUBMITTED FOR USE BY THE CUSTOMER ONLY. THE DATA SHALL NOT BE DUPLICATED, USED, OR DISCLOSED IN WHOLE OR IN PART FOR ANY PURPOSE OTHER THAN TO MAINTAIN THE EQUIPMENT PROVIDED. CONSULT WITH VIRGINIA PANEL CORPORATION ENGINEERING IF MORE DETAIL IS REQUIRED.

REVISIONS			
REV	DESCRIPTION	DATE	ENGR
H	ECN # 08-310-0110	10/23/08	G LACONI

D

D

C

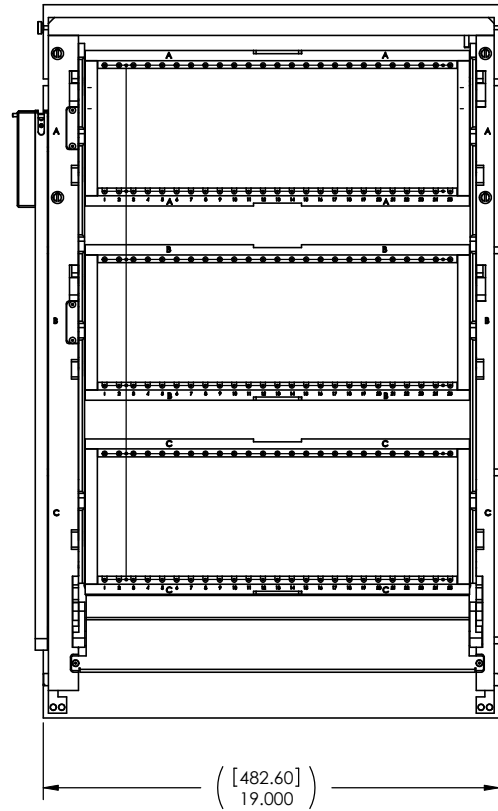
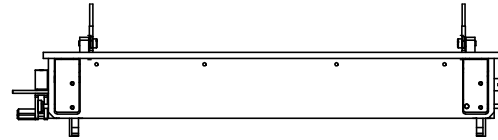
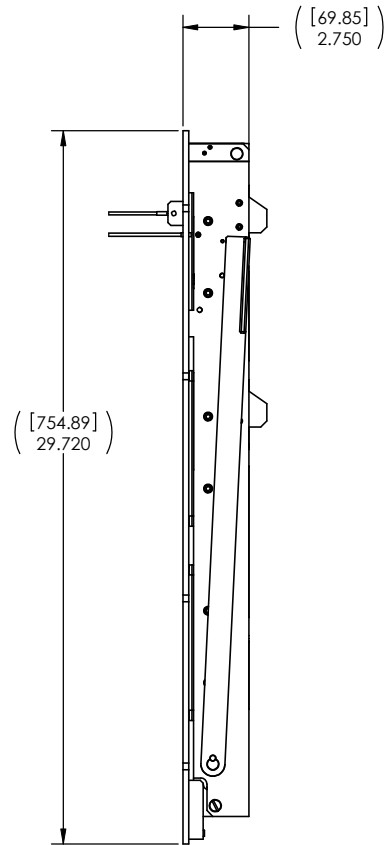
C

B

B

A

A



MATING ITA P/N	MATES WITH RECEIVER TIER	PROTECTIVE COVER P/N
410104258	1 OR 2	310113352
410104181	1 AND 2	
410104276	1, 2 AND 3	
410104111	2 AND 3	

2. (1) 3/32 ALLEN WRENCH INCLUDED FOR MODULE MOUNTING.  
 1. FOR APPLICATION USE & CARE INFORMATION CONSULT VPC USERS GUIDE @WWW.VPC.COM  
 NOTES:

<b>CUSTOMER DRAWING</b>	
<b>VIRGINIA PANEL CORPORATION</b> WWW.VPC.COM	
<b>RECEIVER, 75 MODULE, TRIPLE TIER</b>	

DIMENSIONS ARE SHOWN AS:	SIZE	CAGE CODE	DWG. NO.	REV
[MILLIMETERS]	C	18117	310104307	H
INCHES	SCALE: 1:8	310104307	6/21/01	SHEET 1 OF 1

4

3

2

1