

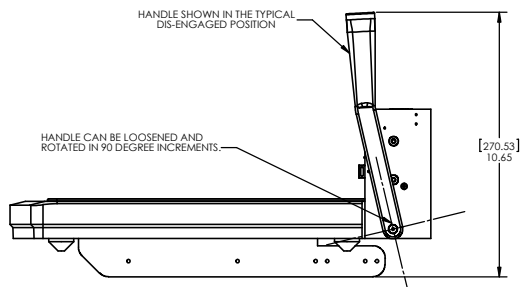
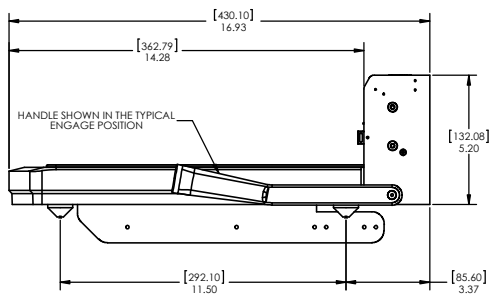
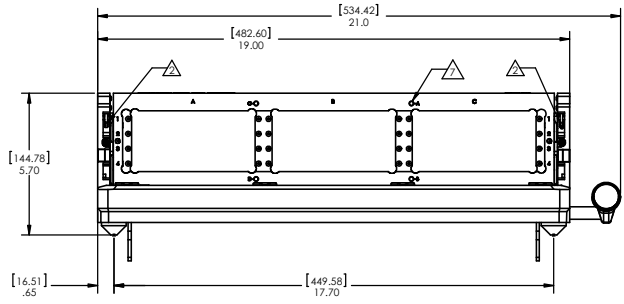
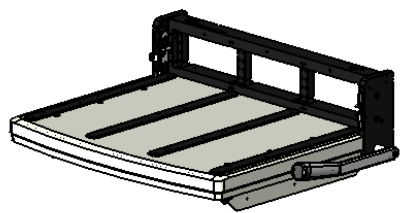
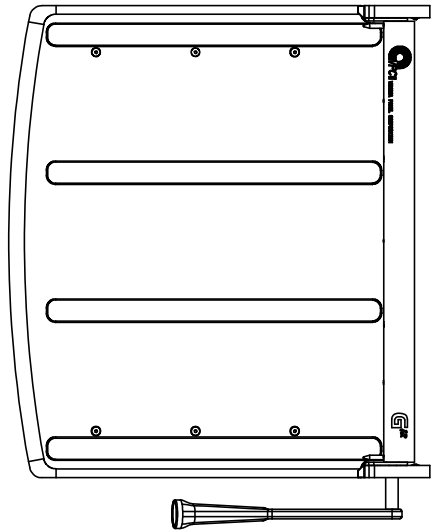
8 7 6 5 4 3 2 1

DO NOT SCALE DRAWING

THE INFORMATION CONTAINED HEREIN IS THE EXCLUSIVE PROPERTY OF VIRGINIA PANEL CORP. AND IS SUBMITTED FOR USE BY THE CUSTOMER ONLY. THE DATA SHALL NOT BE DUPLICATED, USED, OR DISCLOSED IN WHOLE OR IN PART FOR ANY PURPOSE OTHER THAN TO MAINTAIN THE EQUIPMENT PROVIDED.

ZONE		REV		REVISIONS		DATE	APPROVED
				DESCRIPTION			
M		EC# 3239				4/5/11	G. LACONTE

KEYING PLUG LOCATIONS							
PATTERN 1				PATTERN 4			
RECEIVER		ITA		RECEIVER		ITA	
PIN A	PIN C	SCREW A	SCREW C	PIN A	PIN C	SCREW A	SCREW C
INSTALLED	INSTALLED	OPEN	OPEN	OPEN	OPEN	INSTALLED	INSTALLED
PIN B	PIN D	SCREW B	SCREW D	PIN B	PIN D	SCREW B	SCREW D
OPEN	OPEN	INSTALLED	INSTALLED	INSTALLED	INSTALLED	OPEN	OPEN
PATTERN 2				PATTERN 5			
RECEIVER		ITA		RECEIVER		ITA	
PIN A	PIN C	SCREW A	SCREW C	PIN A	PIN C	SCREW A	SCREW C
INSTALLED	OPEN	OPEN	INSTALLED	OPEN	INSTALLED	INSTALLED	OPEN
PIN B	PIN D	SCREW B	SCREW D	PIN B	PIN D	SCREW B	SCREW D
INSTALLED	OPEN	OPEN	INSTALLED	INSTALLED	OPEN	OPEN	INSTALLED
PATTERN 3				PATTERN 6			
RECEIVER		ITA		RECEIVER		ITA	
PIN A	PIN C	SCREW A	SCREW C	PIN A	PIN C	SCREW A	SCREW C
OPEN	INSTALLED	INSTALLED	OPEN	INSTALLED	OPEN	INSTALLED	INSTALLED
PIN B	PIN D	SCREW B	SCREW D	PIN B	PIN D	SCREW B	SCREW D
OPEN	INSTALLED	INSTALLED	OPEN	OPEN	INSTALLED	INSTALLED	OPEN



- △ IF KEYING IS REQUIRED USE VPC KEYING KIT PART NUMBER 310118112. SEE TABLE FOR KEYING OPTIONS.
- (1) 3/32" BALL END ALLEN WRENCH INCLUDED FOR MODULE MOUNTING.
  - RUBBER FEET MAY BE REMOVED AND SECURED DOWN TO A TABLE WITH 1/4-20 SCREWS.
  - WEIGHT: APPROXIMATELY 20 POUNDS. ALUMINUM AND STEEL.
  - FOR RACK MOUNT APPLICATIONS A SLIDE KIT IS REQUIRED; (2) 10-32 X 1.00" SOCKET HEAD CAP SCREWS INCLUDED TO SECURE RECEIVER TO RACK WHEN NOT IN USE.
  - MICROSWITCH WIRES NOT SHOWN. COLOR CODE AS FOLLOWS:  
RED- NC  
WHITE- NO  
BLACK- COMMON
  - FOR APPLICATION, USE & CARE INFORMATION CONSULT VPC USERS GUIDE @WWW.VPC.COM.

NOTES:

MATING ITA	PROTECTIVE COVER	RACK EXTENDER FOR EURO RACKS
410104322	310113402	310113406

CUSTOMER DRAWING - CUSTOMER DRAWING - CUSTOMER DRAWING			
DIMENSIONS ARE SHOWN AS: [millimeters] [INCHES]	CONTRACT NO.		VIRGINIA PANEL CORPORATION www.vpc.com
	SIGNATURES	DATE	
	DR	E. HUBBARD	8/13/04
	CHK	R. HERRON	8/13/04
REMOVE BURRS, BREAK SHARP EDGES	ENG	E. HUBBARD	9/30/04
MATERIAL	PROD		
	ASSY		
FINISH	Q/A		
	APPD		
REV	REV NO.	DWG NO.	REV
D	18117	310104325	M
SCALE:	1/4	310104325	8/13/04
			SHEET 1 OF 1

8 7 6 5 4 3 2 1