

8 7 6 5 4 3 2 1

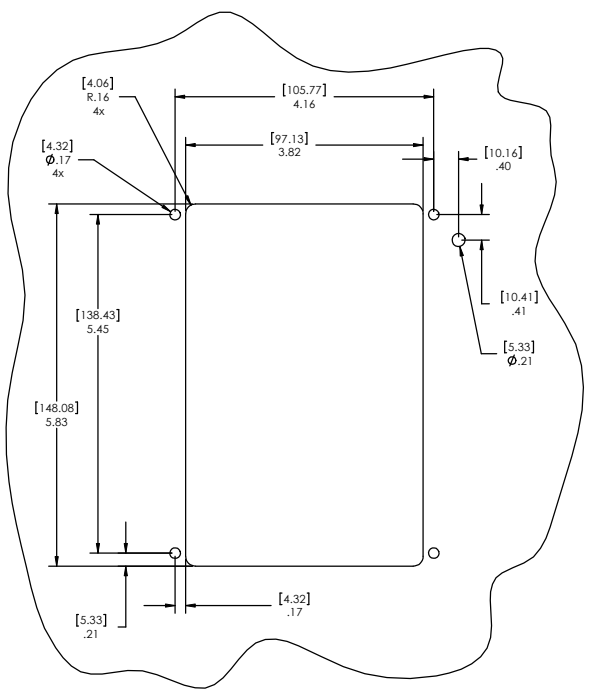
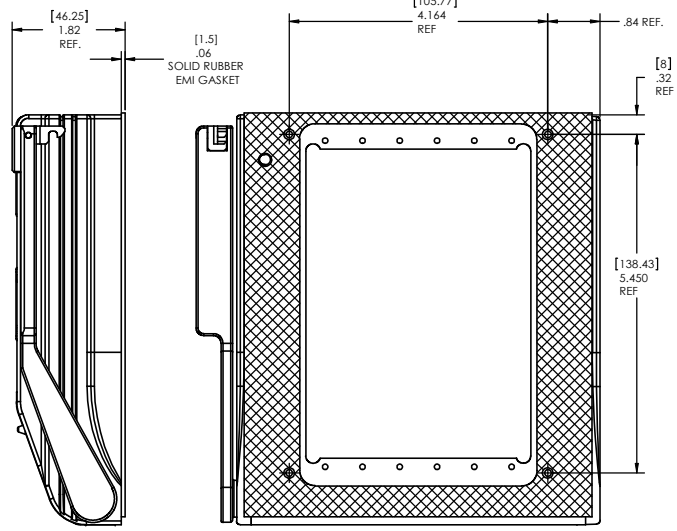
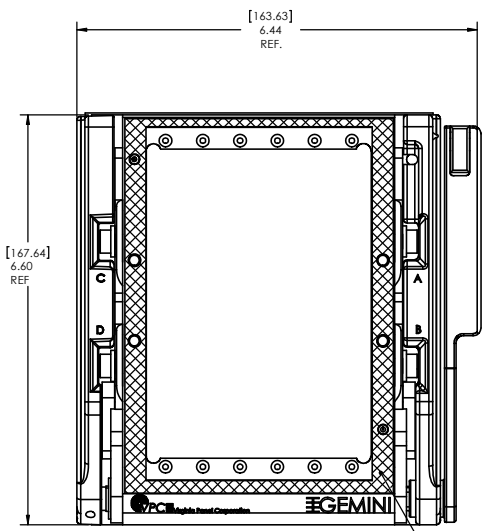
DO NOT SCALE DRAWING

THE INFORMATION CONTAINED HEREIN IS THE EXCLUSIVE PROPERTY OF VIRGINIA PANEL CORP. AND IS SUBMITTED FOR USE BY THE CUSTOMER ONLY. THE DATA SHALL NOT BE DUPLICATED, USED, OR DISCLOSED IN WHOLE OR IN PART FOR ANY PURPOSE OTHER THAN TO MAINTAIN THE EQUIPMENT PROVIDED.

ZONE		REV	DESCRIPTION	DATE	APPROVED
D		ECN# 09-310-0028		3/2/09	G LACOMI

D  
C  
B  
A

D  
C  
B  
A



RECOMMENDED PANEL CUTOUT

SPONGE EMI GASKET

KEYING PLUG LOCATIONS							
PATTERN 1				PATTERN 4			
RECEIVER	ITA	RECEIVER	ITA	RECEIVER	ITA	RECEIVER	ITA
PN A	PN C	SCREW A	SCREW C	PN A	PN C	SCREW A	SCREW C
INSTALLED	INSTALLED	OPEN	OPEN	OPEN	INSTALLED	INSTALLED	OPEN
PN B	PN D	SCREW B	SCREW D	PN B	PN D	SCREW B	SCREW D
OPEN	OPEN	INSTALLED	INSTALLED	OPEN	INSTALLED	INSTALLED	OPEN
PATTERN 2				PATTERN 5			
RECEIVER	ITA	RECEIVER	ITA	RECEIVER	ITA	RECEIVER	ITA
PN A	PN C	SCREW A	SCREW C	PN A	PN C	SCREW A	SCREW C
INSTALLED	OPEN	OPEN	INSTALLED	OPEN	INSTALLED	INSTALLED	OPEN
PN B	PN D	SCREW B	SCREW D	PN B	PN D	SCREW B	SCREW D
INSTALLED	OPEN	OPEN	INSTALLED	INSTALLED	OPEN	OPEN	INSTALLED
PATTERN 3				PATTERN 6			
RECEIVER	ITA	RECEIVER	ITA	RECEIVER	ITA	RECEIVER	ITA
PN A	PN C	SCREW A	SCREW C	PN A	PN C	SCREW A	SCREW C
INSTALLED	OPEN	OPEN	INSTALLED	OPEN	OPEN	INSTALLED	INSTALLED
PN B	PN D	SCREW B	SCREW D	PN B	PN D	SCREW B	SCREW D
OPEN	INSTALLED	INSTALLED	OPEN	INSTALLED	INSTALLED	OPEN	OPEN

- INCLUDED MOUNTING HARDWARE: (4) 6-32 X .375 SOCKET HEAD CAP SCREWS AND (4) #6 WASHERS.
- (1) 3/32" ALLEN WRENCH INCLUDED FOR MODULE MOUNTING.
- TWO HATCHED AREAS SHOWN ABOVE ARE EMI GASKETS WITH ADHESIVE ONE SIDE BONDED TO RECEIVER FRAME.
- KEYING IS REQUIRED USE VPC KEYING KIT PART NUMBER 310118112.
- FOR APPLICATION, USE & CARE INFORMATION CONSULT VPC USERS GUIDE @WWW.VPC.COM.

MATING I/A	PROTECTIVE COVER	VERTICAL HINGED MOUNTING FRAME
410104273	310113158	310113341
410104118		

CUSTOMER DRAWING - CUSTOMER DRAWING			
SOLIDWORKS DRAWING FILE	DIMENSIONS ARE SHOWN AS: (millimeters) INCHES xxx CRITICAL CHARACTERISTIC	CONTRACT NO.	VIRGINIA PANEL CORPORATION www.vpc.com
		SIGNATURES	DATE
		DR E. HUBBARD	2/18/09
		CHK	
REMOVE BURRS, BREAK SHARP EDGES	ENG		
MATERIAL	PROD		
	ASSY		
FINISH	Q A		
	APPD		
REV D	REV D	DWG NO. 310104344	REV D
SCALE: 1:1	310104344	2/9/04	SHEET 1 OF 1

8 7 6 5 4 3 2 1