

4

3

2

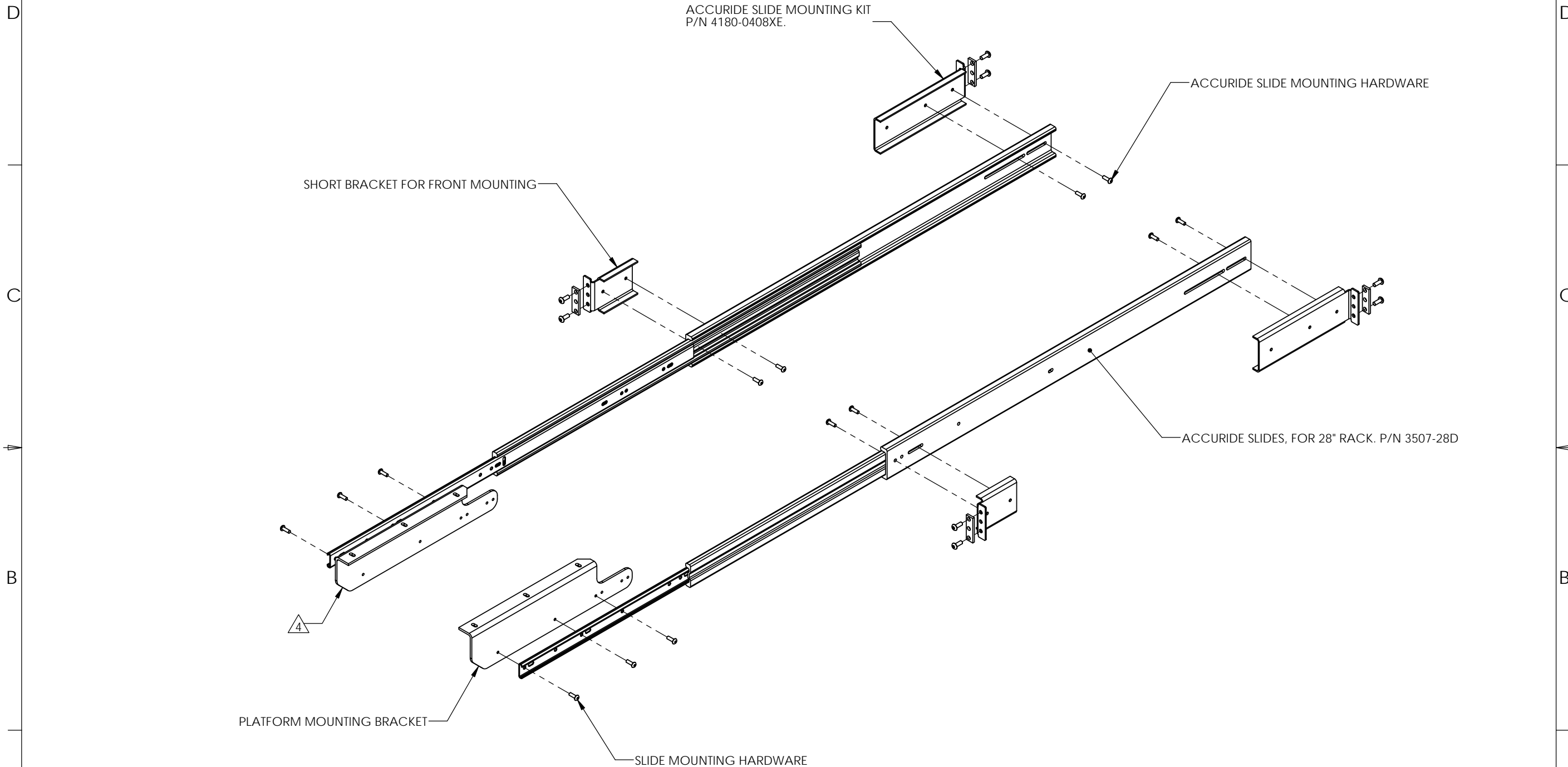
1

DO NOT SCALE DRAWING

THE INFORMATION CONTAINED HEREIN IS THE EXCLUSIVE PROPERTY OF VIRGINIA PANEL CORPORATION AND IS SUBMITTED FOR USE BY THE CUSTOMER ONLY. THE DATA SHALL NOT BE DUPLICATED, USED, OR DISCLOSED IN WHOLE OR IN PART FOR ANY PURPOSE OTHER THAN TO MAINTAIN THE EQUIPMENT PROVIDED. CONSULT WITH VIRGINIA PANEL CORPORATION ENGINEERING IF MORE DETAIL IS REQUIRED.

REVISIONS

REV	DESCRIPTION	DATE	ENGR
B	ECN #09-310-0048	4/23/09	BAL



4 HARDWARE TO MOUNT THE PLATFORM MOUNTING BRACKETS IS LOCATED ON THE PLATFORM

3 EACH KIT INCLUDES:
ACCURIDE P/N 4180-0480-XE, MOUNTING BRACKET KIT
ACCURIDE P/N 3507-28D
LEFT AND RIGHT PLATFORM MOUNTING BRACKETS

2 FOR RACKS 28" - 30" [711.24 - 762] DEEP

1 FOR APPLICATION, USE & CARE INFORMATION
CONSULT VPC USERS GUIDE @WWW.VPC.COM

NOTES:

CUSTOMER DRAWING			
VIRGINIA PANEL CORPORATION WWW.VPC.COM			
28" SLIDE KIT			
DIMENSIONS ARE SHOWN AS:	SIZE	CAGE CODE	DWG. NO.
[MILLIMETERS]	C	18117	310113451
INCHES	SCALE: 1:4	310113451	6/1/06 SHEET 1 OF 1

4

3

2

1