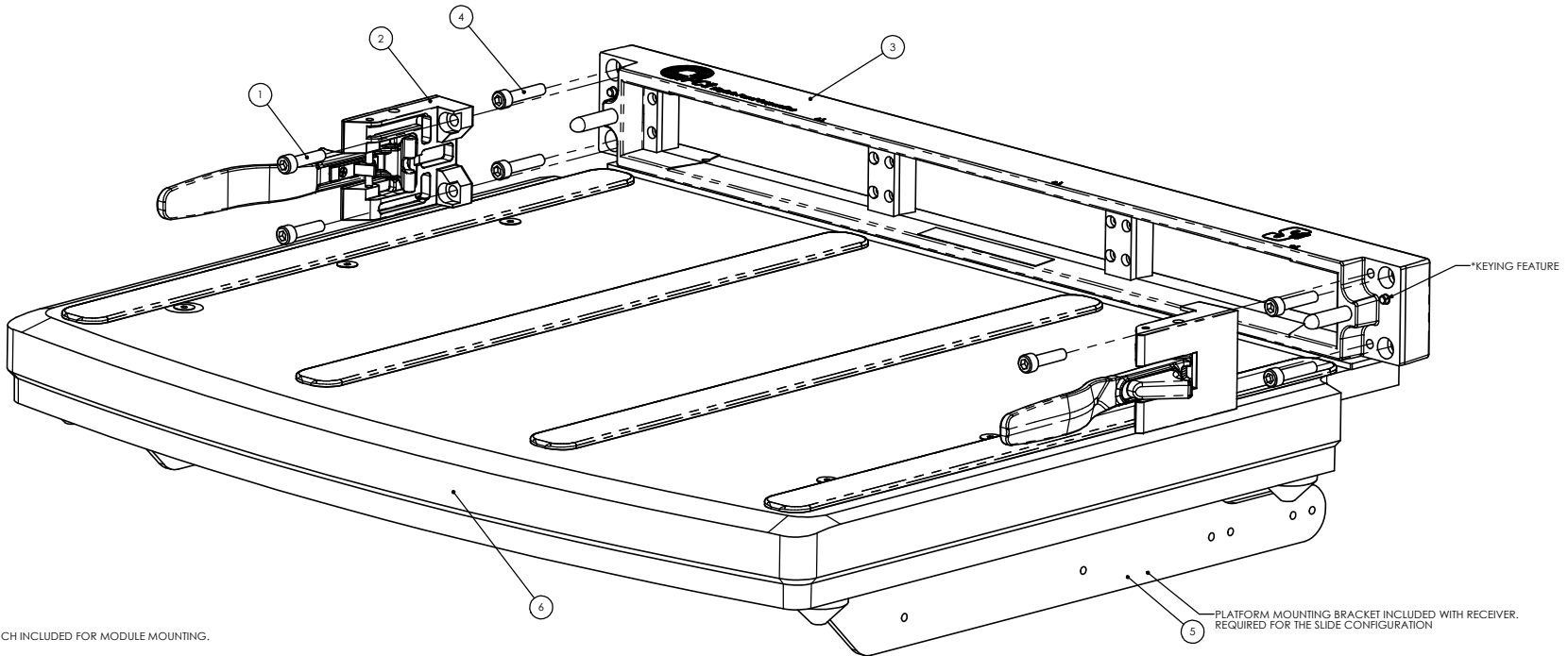


8 7 6 5 4 3 2 1

DO NOT SCALE DRAWING

THE INFORMATION CONTAINED HEREIN IS THE EXCLUSIVE PROPERTY OF VIRGINIA PANEL CORPORATION AND IS SUBMITTED FOR USE BY THE CUSTOMER ONLY. THE DATA SHALL NOT BE DUPLICATED, USED, OR DISCLOSED IN WHOLE OR IN PART FOR ANY PURPOSE OTHER THAN TO MAINTAIN THE EQUIPMENT PROVIDED. CONSULT WITH VIRGINIA PANEL CORPORATION ENGINEERING IF MORE DETAIL IS REQUIRED.

REVISIONS			
REV	DESCRIPTION	DATE	ENGR
J	ECN# 3239	4/4/11	G LACONI



- 5. 3/32" BALL END ALLEN WRENCH INCLUDED FOR MODULE MOUNTING.
- 4. 10-32 SCREWS ARE PROVIDED (QTY 4). CAGE NUTS ARE NOT INCLUDED. M5 SCREWS AND CAGE NUTS MAY REPLACE 10-32 HARDWARE.
- 3. REMOVE ROTATION BLOCK ASSEMBLIES (ITEM 2) FROM FRAME PRIOR TO SHIPPING.
- 2. FOR RACK MOUNTING, THE 310122101 ASSEMBLY MUST BE USED IN CONJUNCTION WITH ONE OF THE FOLLOWING SLIDE KITS:
 310113409
 310113410
 310113411
 310113451
 310113500
- A. AFFECTED COMPONENTS FOR RACK MOUNTING
 ITEM #1: 10-32 x .75 SH CAP SCREW
 ITEM #2: ROTATION BLOCK ASSEMBLY
 ITEM #3: RECEIVER FRAME ASSEMBLY
 ITEM #4: 10-32 x .87 SH CAP SCREW
 ITEM #5: PLATFORM MOUNTING BRACKET
 ITEM #6: S6 PLATFORM
- B. INSTRUCTIONS FOR RACK MOUNTING:
 1) INSTALL SLIDE KIT (NOT INCLUDED) INTO RACK USING HARDWARE SUPPLIED IN KIT
 2) INSTALL ITEM #6 TO ITEMS #5 USING HARDWARE SUPPLIED WITH RECEIVER.
 3) INSTALL ITEM #5 ONTO SLIDES USING HARDWARE SUPPLIED WITH RECEIVER.
 4) USING ITEM #4 SECURE ITEM #3 TO THE RACK (OR OPTIONAL RACK EXTENDER KIT, VPC PART #310113430)
 5) INSTALL ROTATION BLOCK ASSEMBLIES TO THE RECEIVER FRAME USING ITEM #1. USE CAUTION TO INSURE THAT THEY ARE INSTALLED IN THEIR PROPER LOCATIONS. *KEYING FEATURES ARE BUILT IN TO FACILITATE THIS

1. FOR APPLICATION, USE & CARE INFORMATION CONSULT VPC USERS GUIDE @WWW.VPC.COM.

NOTES:

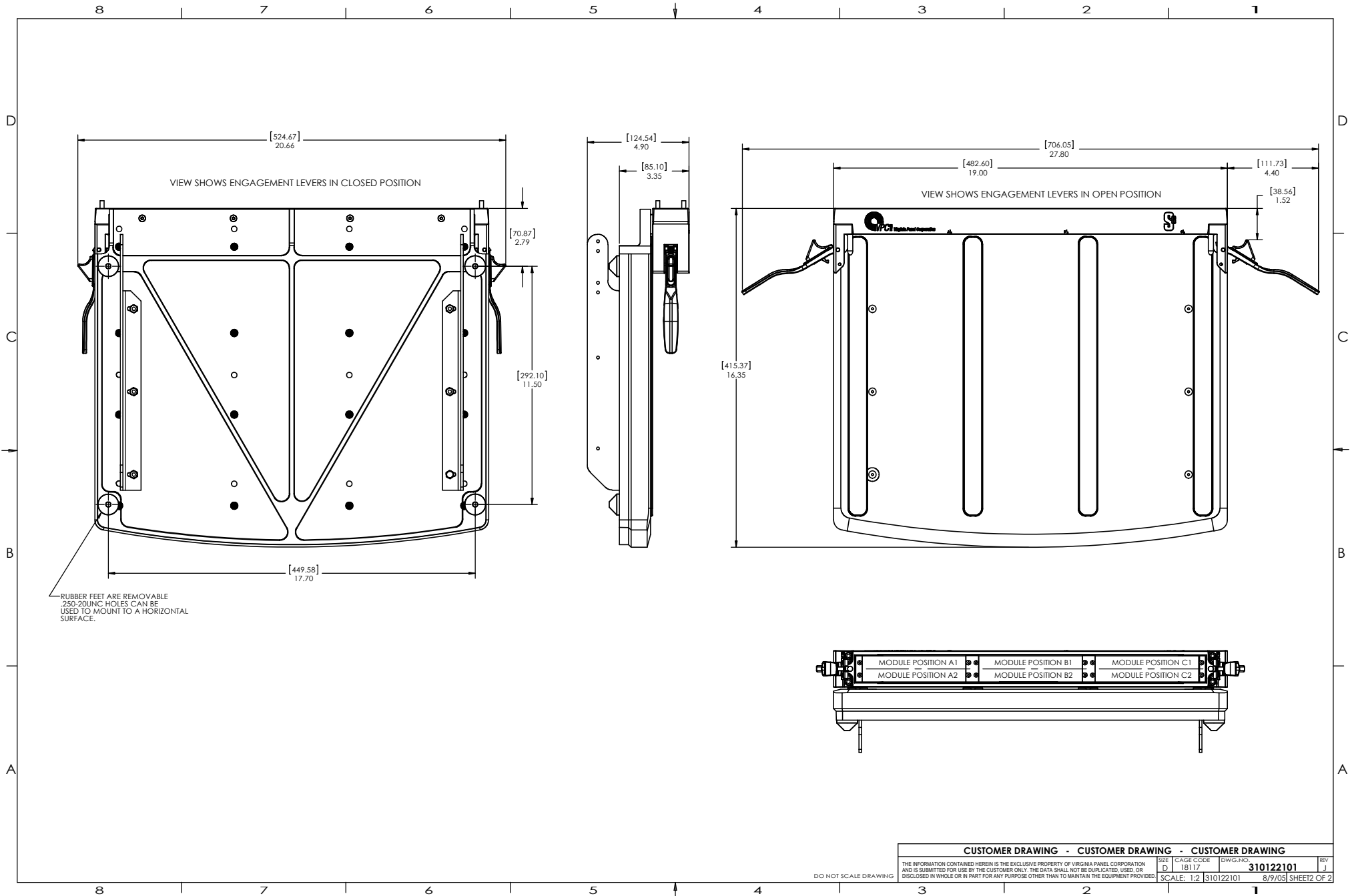
MATING ITA	PROTECTIVE COVER	RACK EXTENDER FOR EURO RACKS
410122100	310113432	310113430

<small>REVISIONS OF THIS DRAWING ARE THE PROPERTY OF VIRGINIA PANEL CORPORATION AND ARE NOT TO BE REPRODUCED OR TRANSMITTED IN ANY FORM OR BY ANY MEANS, ELECTRONIC OR MECHANICAL, INCLUDING PHOTOCOPYING, RECORDING, OR BY ANY INFORMATION STORAGE AND RETRIEVAL SYSTEM.</small>			
SIZE	DATE	DWG NO.	REV
D	18117	310122101	J
[MILLIMETERS]	SCALE: 1:2	310122101	8/9/05
[INCHES]			SHEET 1 OF 2

CUSTOMER DRAWING
VIRGINIA PANEL CORPORATION
 WWW.VPC.COM

RCV, S6 WITH 15"
 PLATFORM FOR SLIDE MOUNT

8 7 6 5 4 3 2 1



CUSTOMER DRAWING - CUSTOMER DRAWING - CUSTOMER DRAWING			SIZE	CAGE CODE	DWG. NO.	REV
DO NOT SCALE DRAWING			D	18117	310122101	J
THE INFORMATION CONTAINED HEREIN IS THE EXCLUSIVE PROPERTY OF VIRGINIA PANEL CORPORATION AND IS SUBMITTED FOR USE BY THE CUSTOMER ONLY. THE DATA SHALL NOT BE DUPLICATED, USED, OR DISCLOSED IN WHOLE OR IN PART FOR ANY PURPOSE OTHER THAN TO MAINTAIN THE EQUIPMENT PROVIDED.			SCALE:	1:2	310122101	8/9/05 SHEET 2 OF 2