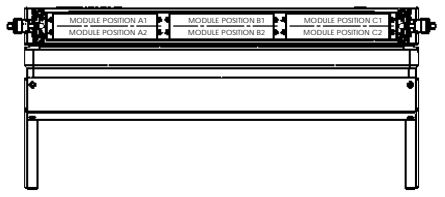
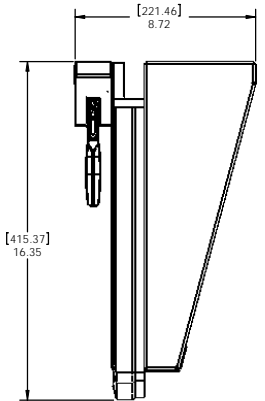
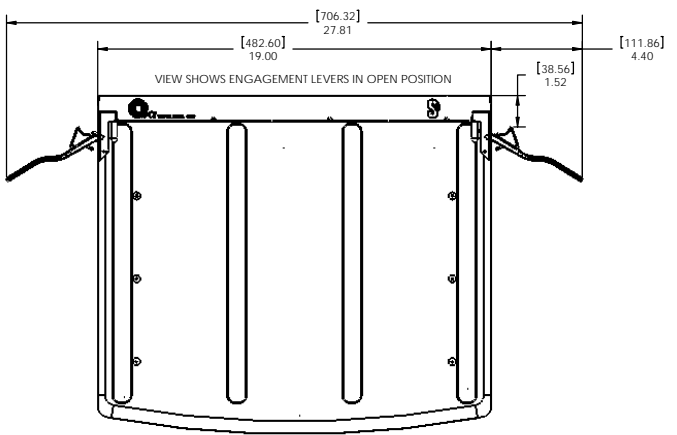
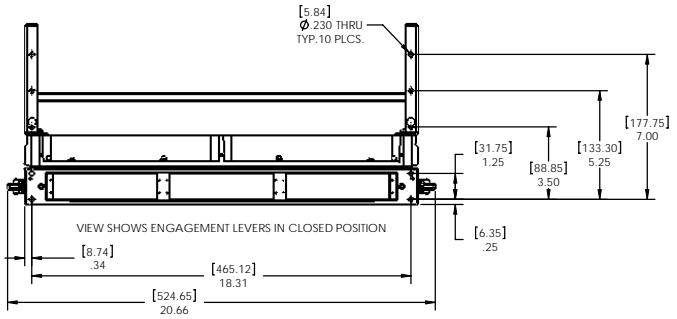


8 7 6 5 4 3 2 1

DO NOT SCALE DRAWING

THE INFORMATION CONTAINED HEREIN IS THE EXCLUSIVE PROPERTY OF VIRGINIA PANEL CORP. AND IS SUBMITTED FOR USE BY THE CUSTOMER ONLY. THE DATA SHALL NOT BE DUPLICATED, USED, OR DISCLOSED IN WHOLE OR IN PART FOR ANY PURPOSE OTHER THAN TO MAINTAIN THE EQUIPMENT PROVIDED.

| ZONE |                  | REVISIONS |  | DATE    | ENGR |
|------|------------------|-----------|--|---------|------|
| B    | ECN #07-310-0084 |           |  | 8/28/07 | RG   |



2 10-32 SCREWS ARE PROVIDED (QTY 8). CAGE NUTS ARE NOT INCLUDED. M5 SCREWS AND CAGE NUTS MAY REPLACE 10-32 HARDWARE.

1 FOR APPLICATION, USE & CARE INFORMATION CONSULT VPC USERS GUIDE @WWW.VPC.COM.

NOTES:

| CUSTOMER DRAWING - CUSTOMER DRAWING - CUSTOMER DRAWING |              |           |                            |              |  |
|--|--------------|-----------|----------------------------|--------------|--|
| DIMENSIONS ARE SHOWN AS:                               | CONTRACT NO. |           | VIRGINIA PANEL CORPORATION |              |  |
|  | SIGNATURES   |           | DATE                       |              |  |
| [millimeters]  | ENGR         | R HERRON  | 8/10/05                    |              |  |
| [INCHES]   |              |           |                            |              |  |
| REMOVE BURRS, BREAK SHARP EDGES.                       |              |           |                            |              |  |
| MATERIAL   |              |           |                            |              |  |
| FINISH   |              |           |                            |              |  |
| REV  | CAGE CODE    | DWG NO.   | REV                        |              |  |
| D  | 18117        | 310122102 | B                          |              |  |
| SCALE:   | 1:3          | 310122102 | 8/10/05                    | SHEET 1 OF 2 |  |

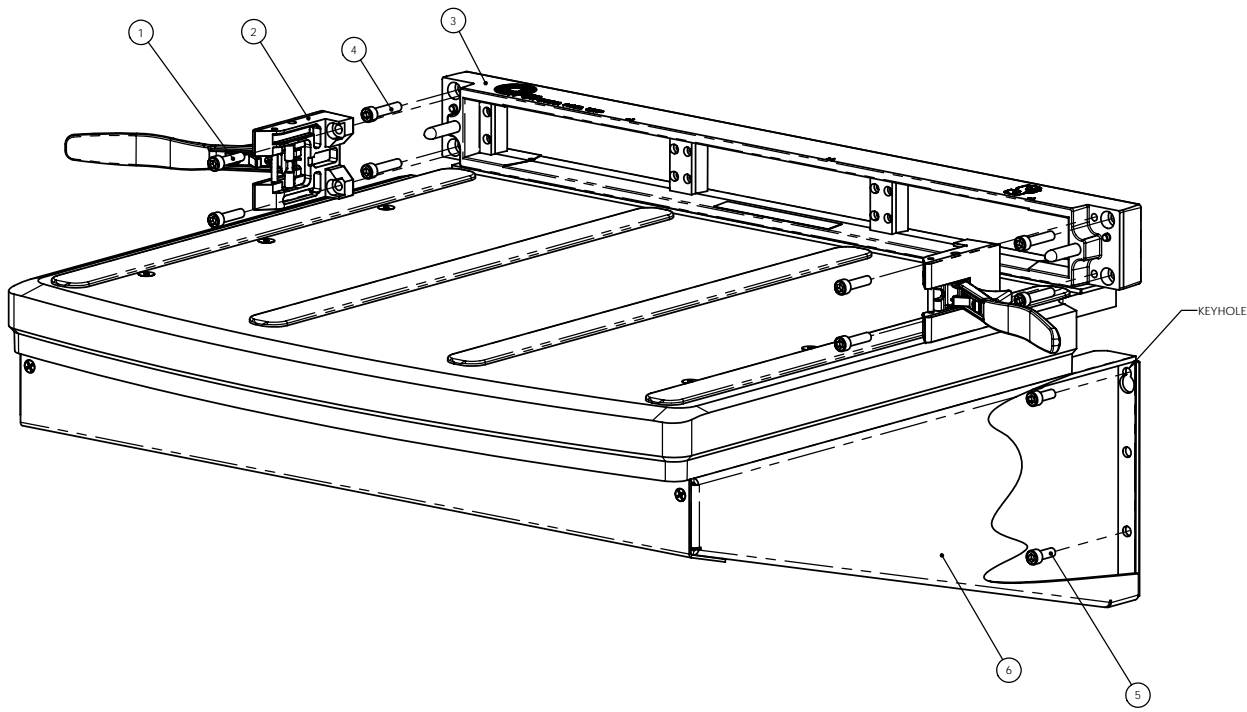
8 7 6 5 4 3 2 1

8 7 6 5 4 3 2 1

DO NOT SCALE DRAWING

THE INFORMATION CONTAINED HEREIN IS THE EXCLUSIVE PROPERTY OF VIRGINIA PANEL CORP. AND IS SUBMITTED FOR USE BY THE CUSTOMER ONLY. THE DATA SHALL NOT BE DUPLICATED, USED, OR DISCLOSED IN WHOLE OR IN PART FOR ANY PURPOSE OTHER THAN TO MAINTAIN THE EQUIPMENT PROVIDED.

| ZONE |  | REV             |  | DESCRIPTION |  | DATE    | ENGR |
|------|--|-----------------|--|-------------|--|---------|------|
| B    |  | ECN 07-310-0084 |  |             |  | 9/28/07 | RG   |



2. INSTRUCTIONS FOR RACK MOUNTING:

A. AFFECTED COMPONENTS:

- ITEM #1: 10-32 x .50 SH CAP SCREW
- ITEM #2: ROTATION BLOCK ASSEMBLY
- ITEM #3: RECEIVER ASSEMBLY
- ITEM #4: 10-32 x .87 SH CAP SCREW
- ITEM #5: 10-32 x .50 SH CAP SCREW
- ITEM #6: SUPPORT BRACKET

B. STEPS FOR INSTALLATION

- 1) LOOSELY INSTALL TWO OF THE INCLUDED 10-32 x .50 CAP SCREWS (ITEM #5) INTO THE RACK IN DESIRED LOCATION.
- 2) HANG THE ASSEMBLY ONTO THESE SCREWS USING THE TWO 'KEYHOLES' LOCATED ON THE BACKSIDE OF THE SUPPORT BRACKETS.
- 3) DISASSEMBLE ITEMS #2 BY REMOVING THE FOUR 10-32 x .75 SCREWS (ITEM #1).
- 4) INSTALL ITEMS #4 THROUGH THE COUNTER-BORED HOLES IN THE RECEIVER, LOCATED BEHIND ITEM #2. LOOSELY INTO THE RACK (OR OPTIONAL FIXED RACK EXTENDER KIT, VPC PART #310113442).
- 5) INSTALL 10-32 x .50 CAP SCREWS THROUGH THE REMAINING HOLES OF THE SUPPORT RACKS (4 PLACES).
- 6) RETURN TO ALL SCREWS AND FULLY TIGHTEN.
- 7) REASSEMBLE ITEMS #2 BACK TO THE RECEIVER FRAME USING THE SAME SCREWS REMOVED IN STEP 4.

1 FOR APPLICATION, USE & CARE INFORMATION CONSULT VPC USERS GUIDE @WWW.VPC.COM.

NOTES:

| CUSTOMER DRAWING - CUSTOMER DRAWING - CUSTOMER DRAWING |               |                   |  |
|--|---------------|-------------------|--|
| DIMENSIONS ARE SHOWN AS:<br>[millimeters]<br>INCHES    | CONTRACT NO.  |                   | VIRGINIA PANEL CORPORATION<br>WWW.VPC.COM              |
|  | SIGNATURES    | DATE              |  |
| REMOVE BURRS; BREAK SHARP EDGES.                       | ENGR R HERRON | 8/10/05           | RECEIVER, S6, 6 MODULE<br>FIXED RACK WITH 15" PLATFORM |
| MATERIAL   |               |                   |  |
| FINISH   |               |                   |  |
| REV D 18117  | CAGE CODE     | DWG NO. 310122102 | REV B  |
| SCALE: 1:4   | 310122102     | 8/10/05           | SHEET 2 OF 2   |

8 7 6 5 4 3 2 1