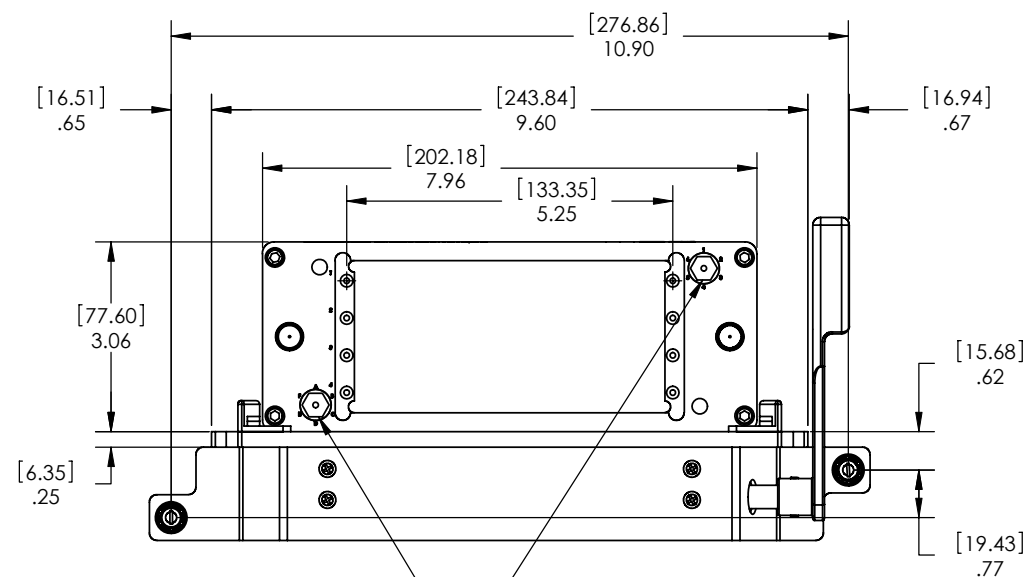
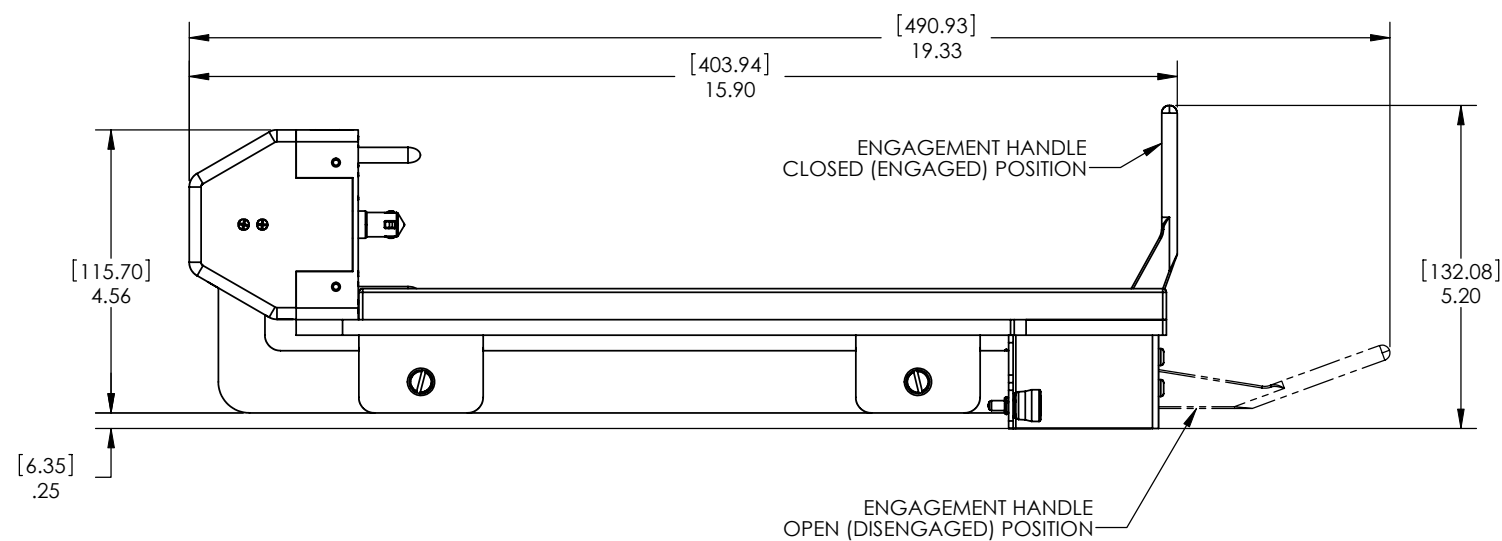
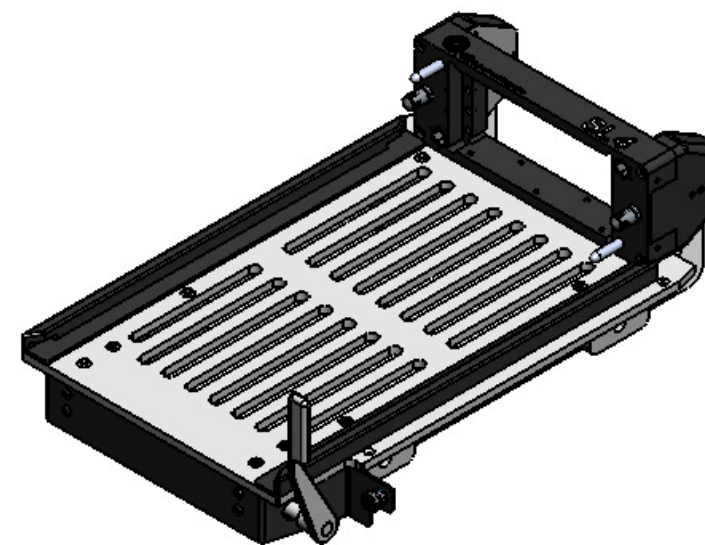
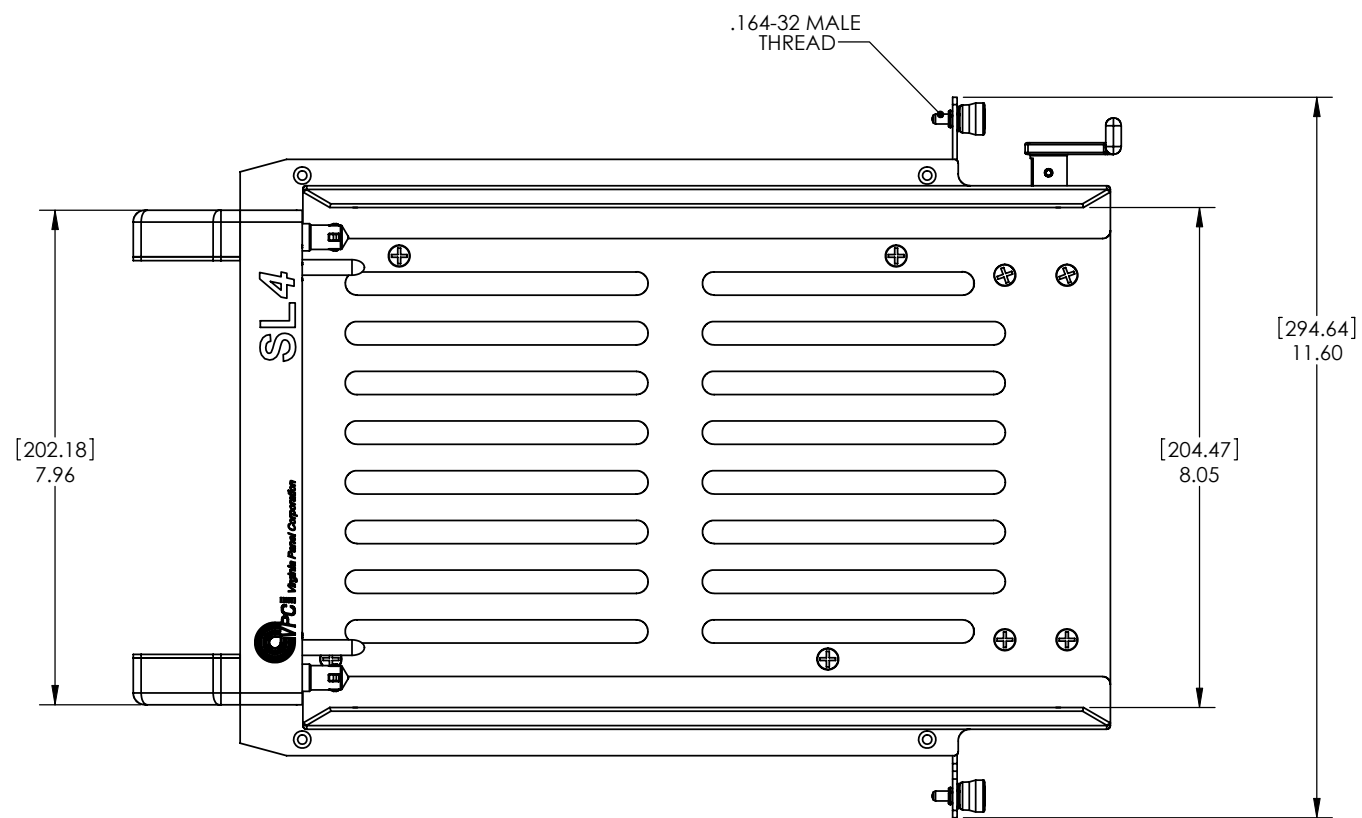


DO NOT SCALE DRAWING

THE INFORMATION CONTAINED HEREIN IS THE EXCLUSIVE PROPERTY OF VIRGINIA PANEL CORPORATION AND IS SUBMITTED FOR USE BY THE CUSTOMER ONLY. THE DATA SHALL NOT BE DUPLICATED, USED, OR DISCLOSED IN WHOLE OR IN PART FOR ANY PURPOSE OTHER THAN TO MAINTAIN THE EQUIPMENT PROVIDED. CONSULT WITH VIRGINIA PANEL CORPORATION ENGINEERING IF MORE DETAIL IS REQUIRED.

REVISIONS			
REV	DESCRIPTION	DATE	ENGR
A	ORIGINAL RELEASE; 08-310-0080	10/6/08	R GARMAN



- NOTES:
- 3/32 ALLEN WRENCH INCLUDED FOR MODULE INSERTION/REMOVAL.
 - FOR APPLICATION USE AND CARE INFORMATION CONSULT VPC USERS GUIDE @ WWW.VPC.COM
 - PRODUCT SPECIFICATIONS
MATERIALS & FINISHES
ALUMINUM - ANODIZED OR CHROMATED
STAINLESS STEEL - PASSIVATED
STEEL - ELECTROLESS NICKEL PLATED
HARDWARE - PASSIVATED STAINLESS STEEL
WEIGHT: 9.5 LBS [4.4 kg]

MATING ITA P/N'S	RECEIVER PROTECTIVE COVER P/N	KEYING PIN KIT P/N
410125101, 410125102 & 410125103	310113505	310113501

DIMENSIONS ARE SHOWN AS:
[MILLIMETERS]
INCHES

CUSTOMER DRAWING			
VIRGINIA PANEL CORPORATION WWW.VPC.COM			
RCV 90S SL4 CHAMBER MOUNT			
SIZE	CAGE CODE	DWG. NO.	REV
C	18117	310125101	A
SCALE: 1:4		310125101	2/28/08 SHEET 1 OF 1