

4

3

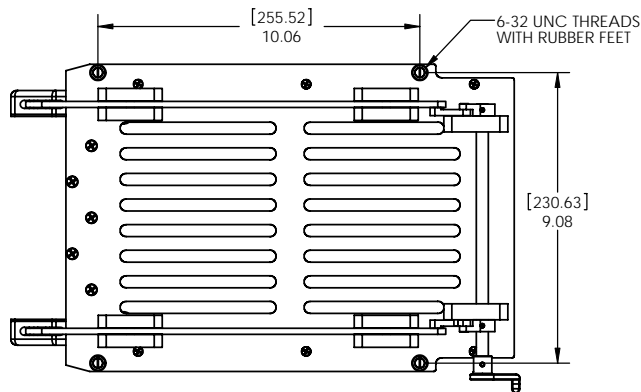
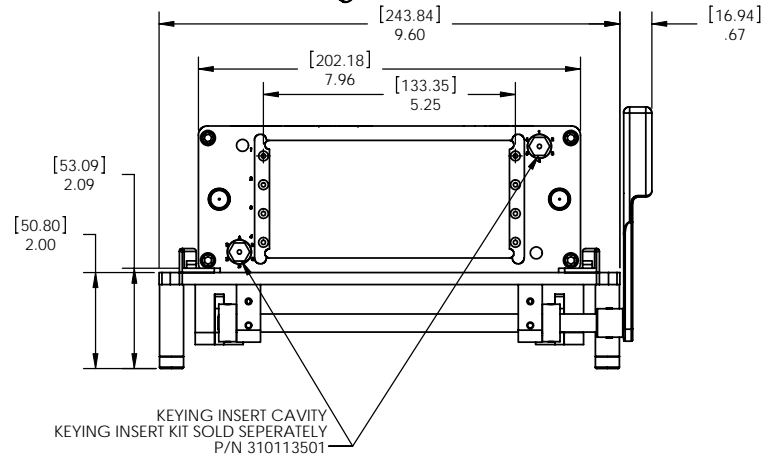
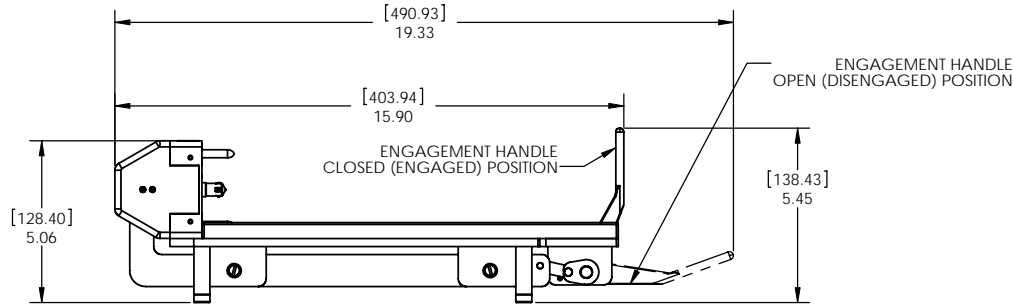
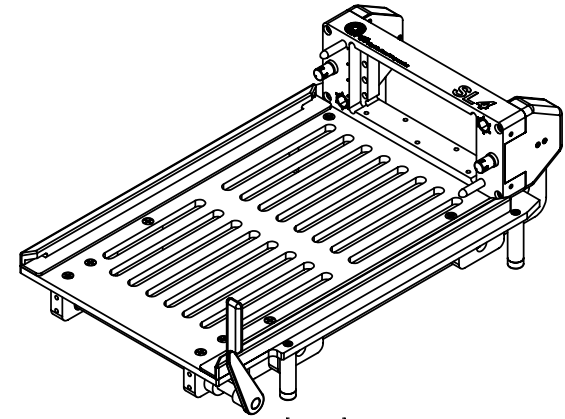
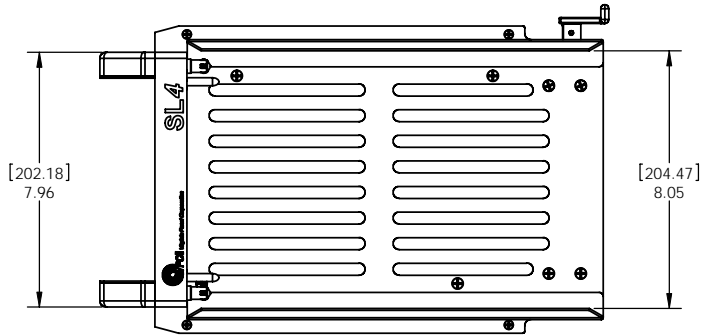
2

1

DO NOT SCALE DRAWING

THE INFORMATION CONTAINED HEREIN IS THE EXCLUSIVE PROPERTY OF VIRGINIA PANEL CORPORATION AND IS SUBMITTED FOR USE BY THE CUSTOMER ONLY. THE DATA SHALL NOT BE DUPLICATED, USED, OR DISCLOSED IN WHOLE OR IN PART FOR ANY PURPOSE OTHER THAN TO MAINTAIN THE EQUIPMENT PROVIDED. CONSULT WITH VIRGINIA PANEL CORPORATION ENGINEERING IF MORE DETAIL IS REQUIRED.

REVISIONS			
REV	DESCRIPTION	DATE	ENGR
A	ORIGINAL RELEASE ECN 08-310-0100	10/14/08	E HUSTED



2. (1) 3/32" BALL END ALLEN WRENCH INCLUDED FOR MODULE MOUNTING.

1. FOR APPLICATION, USE, AND CARE INFORMATION CONSULT WWW.VPC.COM

CUSTOMER DRAWING			
VIRGINIA PANEL CORPORATION WWW.VPC.COM			
RCV 90S SL4 TABLE TOP			
DIMENSIONS ARE SHOWN AS:	SIZE	CAGE CODE	DWG. NO.
[MILLIMETERS]	C	18117	310125102
[INCHES]			
MATING ITA	PROTECTIVE COVER	SCALE: NONE	REV A
410125101	310113505	310125102	10/14/08
		SHEET	1 OF 1

4

3

2

1