

8 | 7 | 6 | 5 | 4 | 3 | 2 | 1

DO NOT SCALE DRAWING

THE INFORMATION CONTAINED HEREIN IS THE EXCLUSIVE PROPERTY OF VIRGINIA PANEL CORP. AND IS SUBMITTED FOR USE BY THE CUSTOMER ONLY. THE DATA SHALL NOT BE DUPLICATED, USED, OR DISCLOSED IN WHOLE OR IN PART FOR ANY PURPOSE OTHER THAN TO MAINTAIN THE EQUIPMENT PROVIDED.

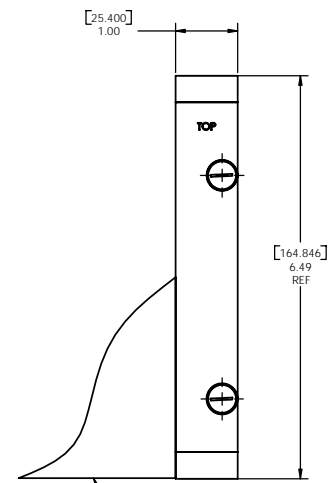
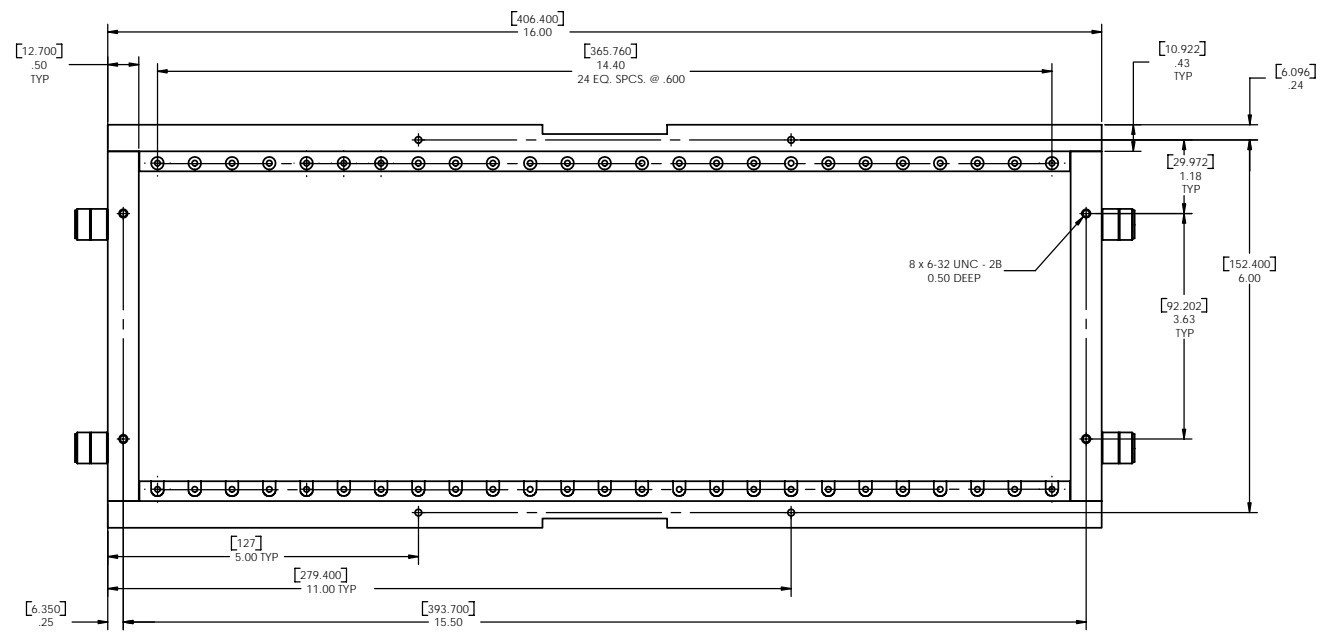
ZONE		REVISIONS	
REV	DESCRIPTION	DATE	APPROVED
CG	ECN # 2753	1/8/03	MD

D

C

B

A



FOR RECEIVER PART NUMBER 310104363:
ENCLOSURE MUST BE FLUSH TO BOTTOM OF ITA FRAME. THE WIDTH MAY GROW TO THE LEFT TO CUSTOMERS NEEDS. THE WIDTH MAY GROW TO THE RIGHT UP TO 1.5 INCHES (38mm). THERE IS NO LIMIT TO THE HEIGHT OF THE ENCLOSURE.

410104111 W/O MODULES

NOTES: 1 FOR APPLICATION, USE & CARE INFORMATION CONSULT VPC USERS GUIDE @WWW.VPC.COM.

SOLIDWORKS DRAWING FILE	CUSTOMER DRAWING - CUSTOMER DRAWING - CUSTOMER DRAWING		
	DIMENSIONS ARE SHOWN AS:	CONTRACT NO.	
	(millimeters)	SIGNATURES	DATE
	INCHES	DR H CASH	10/19/91
REMOVE BURRS, BREAK SHARP EDGES	CHK		VIRGINIA PANEL CORPORATION WWW.VPC.COM ITA, 25 MODULE
MATERIAL	ENG		
	PROD		
	ASSY		
FINISH	CJA		REF: [SCM NO.] DWG NO. 3551 01 000 SCALE: 1:2 SKBM 1-24-07 10/19/93 SHEET 1
	APPD		

8 | 7 | 6 | 5 | 4 | 3 | 2 | 1