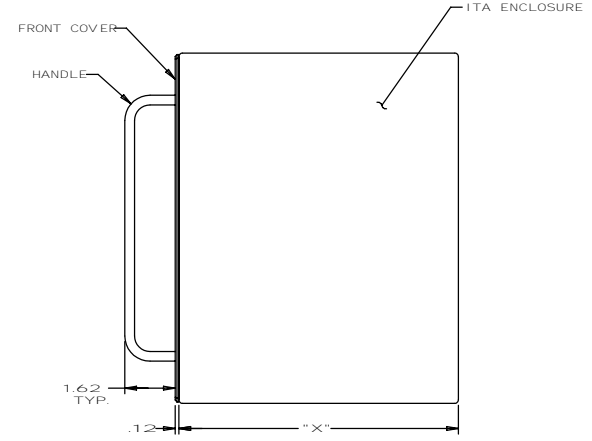
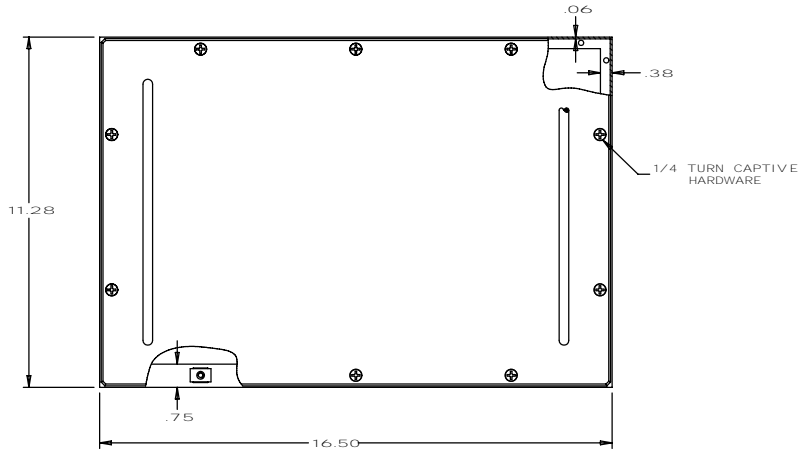


8 7 6 5 4 3 2 1

DO NOT SCALE DRAWING

THE INFORMATION CONTAINED HEREIN IS THE EXCLUSIVE PROPERTY OF VIRGINIA PANEL CORPORATION AND IS SUBMITTED FOR USE BY THE CUSTOMER ONLY. THE DATA SHALL NOT BE DUPLICATED, USED, OR DISCLOSED IN WHOLE OR IN PART FOR ANY PURPOSE OTHER THAN TO MAINTAIN THE EQUIPMENT PROVIDED CONSULT WITH VIRGINIA PANEL CORPORATION ENGINEERING IF MORE DETAIL IS REQUIRED.

REVISIONS			
REV	DESCRIPTION	DATE	ENGR
A	INCORPORATED ECN #1807	12/4/96	FDM



PART No.	DIM. "X"
410112286	6.00
410112287	9.00
410112288	12.00
410112322	18.00

CUSTOMER DRAWING
 VIRGINIA PANEL CORPORATION
 WWW.VPC.COM
 ENCLOSURE, ITA 21 MOD.

1. FOR APPLICATION USE AND CARE INFORMATION CONSULT VPC USERS GUIDE @ WWW.VPC.COM
 NOTES:

DIMENSIONS ARE SHOWN AS:	SIZE	SCALE CODE	DWG NO.	REV
(MILLIMETERS)	D	18117	431500000	A
INCHES		SCALE: 2:4	431500000	SHEET 1 OF 1

8 7 6 5 4 3 2 1