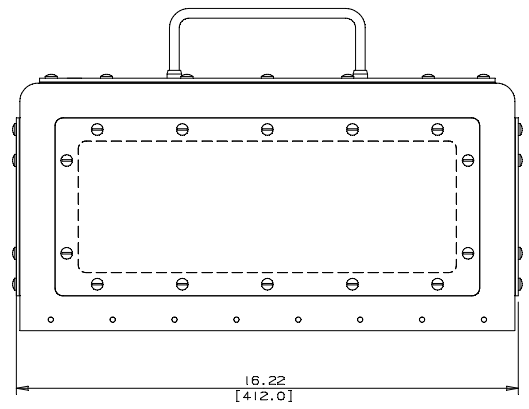
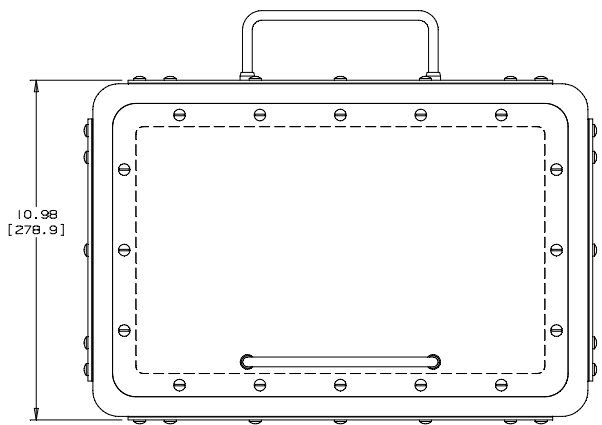
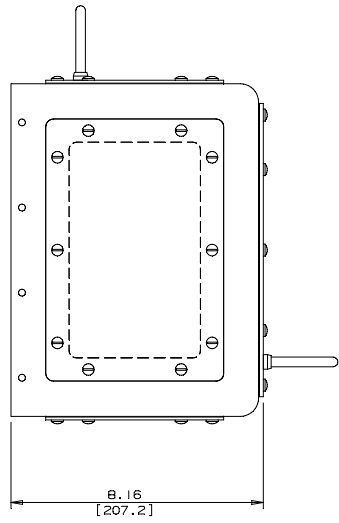


8 7 6 5 4 3 2 1

DO NOT SCALE DRAWING

THE INFORMATION CONTAINED HEREIN IS THE EXCLUSIVE PROPERTY OF VIRGINIA PANEL CORP. AND IS SUBMITTED FOR USE BY THE CUSTOMER ONLY. THE DATA SHALL NOT BE DUPLICATED, USED, OR DISCLOSED IN WHOLE OR IN PART FOR ANY PURPOSE OTHER THAN TO MAINTAIN THE EQUIPMENT PROVIDED.

REVISIONS				
ZONE	REV	DESCRIPTION	DATE	APPROVED



410112458

- NOTES:
- 2. SOME HARDWARE SHIPPED LOOSE
 - 1. FOR APPLICATION, CARE AND USE INFORMATION PLEASE CONSULT VPC USERS GUIDE @ WWW.VPC.COM

DIMENSIONS ARE SHOWN AS:		SIGNATURES		DATE
INCHES		DR	M DOLFI	11/20/92
[MILLIMETERS]		CHK	F MORAN	11/20/92
		ENG		
MATERIAL		APPD	H BURGERS	11/20/92
FINISH		APPD		

CUSTOMER DRAWING - CUSTOMER DRAWING	
VIRGINIA PANEL CORP.	
CASS ENCLOSURE ASSY DP DRAWN	
SIZE/FSCM NO.	DWG NO.
D18117	4359 02 000
SCALE: 1/2	1/20/95
SHEET	1 OF 1

8 7 6 5 4 3 2 1