

4

3

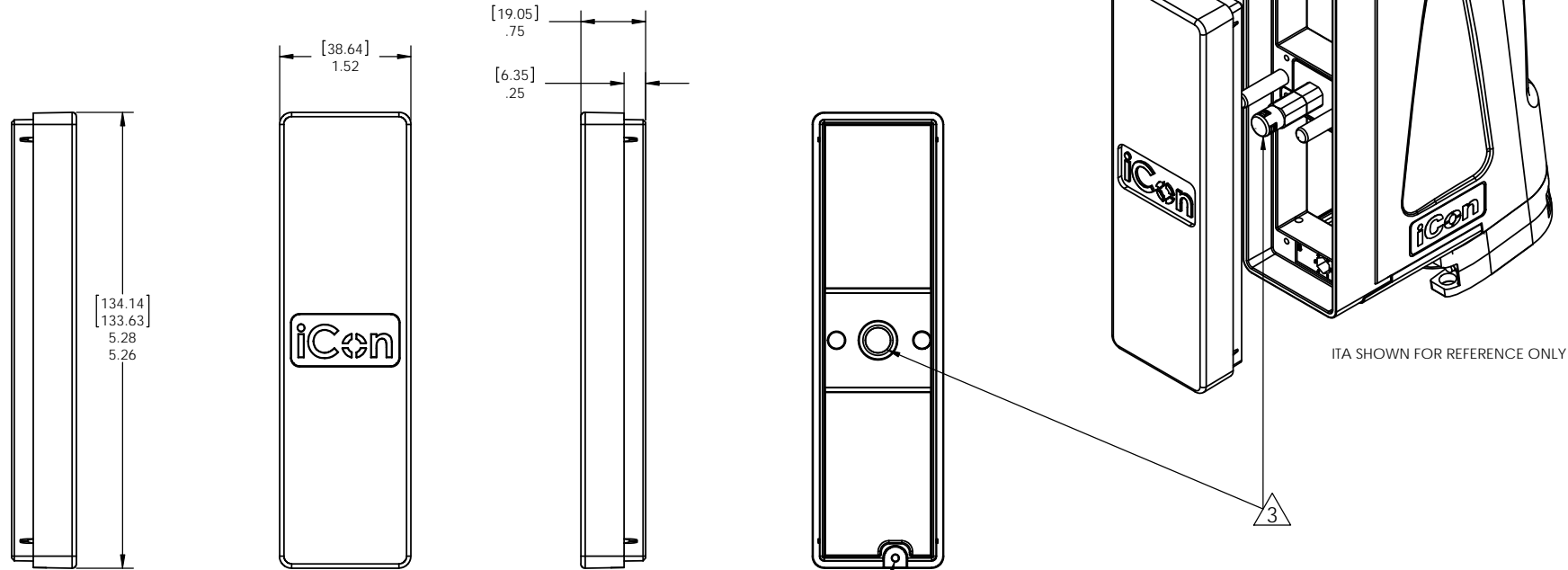
2

1

DO NOT SCALE DRAWING

THE INFORMATION CONTAINED HEREIN IS THE EXCLUSIVE PROPERTY OF VIRGINIA PANEL CORPORATION AND IS SUBMITTED FOR USE BY THE CUSTOMER ONLY. THE DATA SHALL NOT BE DUPLICATED, USED, OR DISCLOSED IN WHOLE OR IN PART FOR ANY PURPOSE OTHER THAN TO MAINTAIN THE EQUIPMENT PROVIDED. CONSULT WITH VIRGINIA PANEL CORPORATION ENGINEERING IF MORE DETAIL IS REQUIRED.

REVISIONS			
REV	DESCRIPTION	DATE	ENGR
A	ORIGINAL RELEASE, EC 07-410-0031	5/15/07	R GARMAN



ATTACH CHAIN USING ONE EYELET AND SELF TAPPING SCREW. ALL PARTS SUPPLIED WITH ASSEMBLY.

- 3 TO INSTALL THE COVER ONTO THE ITA:
1. DISENGAGE THE HANDLE ON THE ITA, TURNING IT IN A COUNTER-CLOCKWISE DIRECTION.
 2. PLACE THE CENTER BOSS OF THE COVER ONTO THE CENTER PIN ON THE ITA.
 3. ENGAGE THE HANDLE ON THE ITA, TURNING IT CLOCKWISE UNTIL THE COVER IS SEATED FULLY.

2. ITEMS INCLUDED, BUT NOT SHOWN: 1 X CHAIN - 6", 1 X SELF TAPPING SCREW, 2 X EYELET COUPLINGS.

1. FOR APPLICATION USE & CARE INFORMATION CONSULT VPC USERS GUIDE @WWW.VPC.COM

NOTES:

CUSTOMER DRAWING			
VIRGINIA PANEL CORPORATION WWW.VPC.COM			
Replacement Protective Cover, ITA, Icon, 2 Module, Plastic			
DIMENSIONS ARE SHOWN AS:	SIZE	CAGE CODE	DWG. NO.
[MILLIMETERS]	C	18117	410112750
INCHES			9/20/06
	SCALE: 1:1	410112750	SHEET 1 OF 1

4

3

2

1