

4

3

2

1

DO NOT SCALE DRAWING

THE INFORMATION CONTAINED HEREIN IS THE EXCLUSIVE PROPERTY OF VIRGINIA PANEL CORPORATION AND IS SUBMITTED FOR USE BY THE CUSTOMER ONLY. THE DATA SHALL NOT BE DUPLICATED, USED, OR DISCLOSED IN WHOLE OR IN PART FOR ANY PURPOSE OTHER THAN TO MAINTAIN THE EQUIPMENT PROVIDED. CONSULT WITH VIRGINIA PANEL CORPORATION ENGINEERING IF MORE DETAIL IS REQUIRED.

REVISIONS

| REV | DESCRIPTION | DATE | ENGR |
|-----|-------------------|---------|------|
| G | ECN # 06-410-0072 | 12/4/06 | RD |

D

C

B

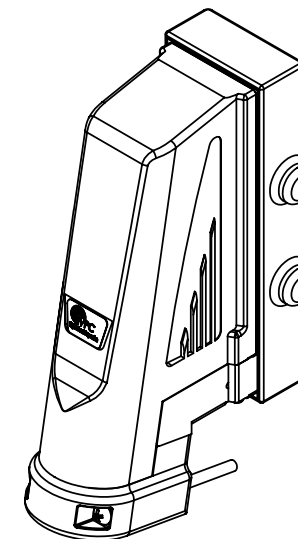
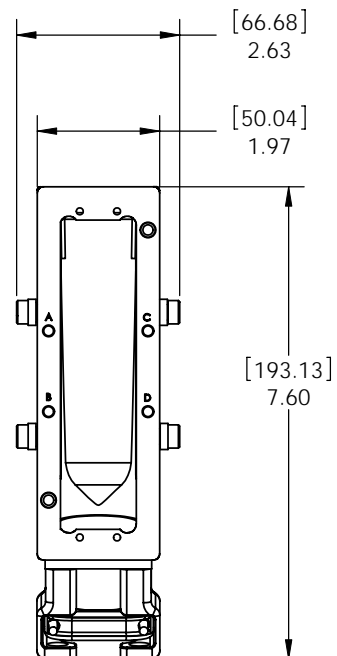
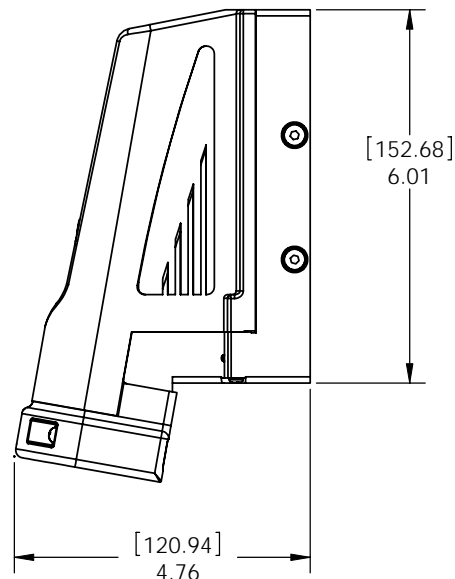
A

D

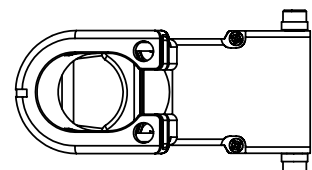
C

B

A



SHOWN WITH INCLUDED PROTECTIVE COVER.



SPECIFICATIONS:

WEIGHT: 1.65LBS. [.75KG]

CONSTRUCTION:

COVER MATERIAL: EMI SHIELDED NYLON

FRAME MATERIAL: ZINC ALLOY

SIGNAL POINT AVAILABILITY: 480

| KEYING PLUG LOCATIONS | | | | | | | |
|-----------------------|--------------------|----------------------|----------------------|--------------------|--------------------|----------------------|----------------------|
| PATTERN 1 | | | | PATTERN 4 | | | |
| RECEIVER | | ITA | | RECEIVER | | ITA | |
| PIN A INSTALLED | PIN C INSTALLED | SCREW A OPEN | SCREW C OPEN | PIN A OPEN | PIN C INSTALLED | SCREW A OPEN | SCREW C INSTALLED |
| PIN B OPEN | PIN D OPEN | SCREW B INSTALLED | SCREW D INSTALLED | PIN B OPEN | PIN D INSTALLED | SCREW B OPEN | SCREW D INSTALLED |
| PATTERN 2 | | | | PATTERN 5 | | | |
| RECEIVER | | ITA | | RECEIVER | | ITA | |
| PIN A INSTALLED | PIN C OPEN | SCREW A INSTALLED | SCREW C OPEN | PIN A OPEN | PIN C INSTALLED | SCREW A OPEN | SCREW C INSTALLED |
| PIN B INSTALLED | PIN D OPEN | SCREW B INSTALLED | SCREW D OPEN | PIN B INSTALLED | PIN D OPEN | SCREW B INSTALLED | SCREW D OPEN |
| PATTERN 3 | | | | PATTERN 6 | | | |
| RECEIVER | | ITA | | RECEIVER | | ITA | |
| PIN A INSTALLED | PIN C OPEN | SCREW A INSTALLED | SCREW C OPEN | PIN A OPEN | PIN C OPEN | SCREW A INSTALLED | SCREW C INSTALLED |
| PIN B OPEN | PIN D INSTALLED | SCREW B OPEN | SCREW D INSTALLED | PIN B INSTALLED | PIN D INSTALLED | SCREW B OPEN | SCREW D OPEN |

2 IF KEYING IS REQUIRED USE VPC KEYING KIT PART NUMBER 310118112.

1 FOR APPLICATION, USE & CARE INFORMATION CONSULT VPC USERS GUIDE @WWW.VPC.COM.

NOTES:

CUSTOMER DRAWING

VIRGINIA PANEL CORPORATION
WWW.VPC.COM

ITA, G2, 2 POSITION

| | | | | |
|--------------------------|------------|-----------|-----------|--------------|
| DIMENSIONS ARE SHOWN AS: | SIZE | CAGE CODE | DWG. NO. | REV |
| [MILLIMETERS] | C | 18117 | 410120110 | G |
| INCHES | SCALE: 1:2 | 410120110 | 1/7/03 | SHEET 1 OF 1 |

4

3

2

1