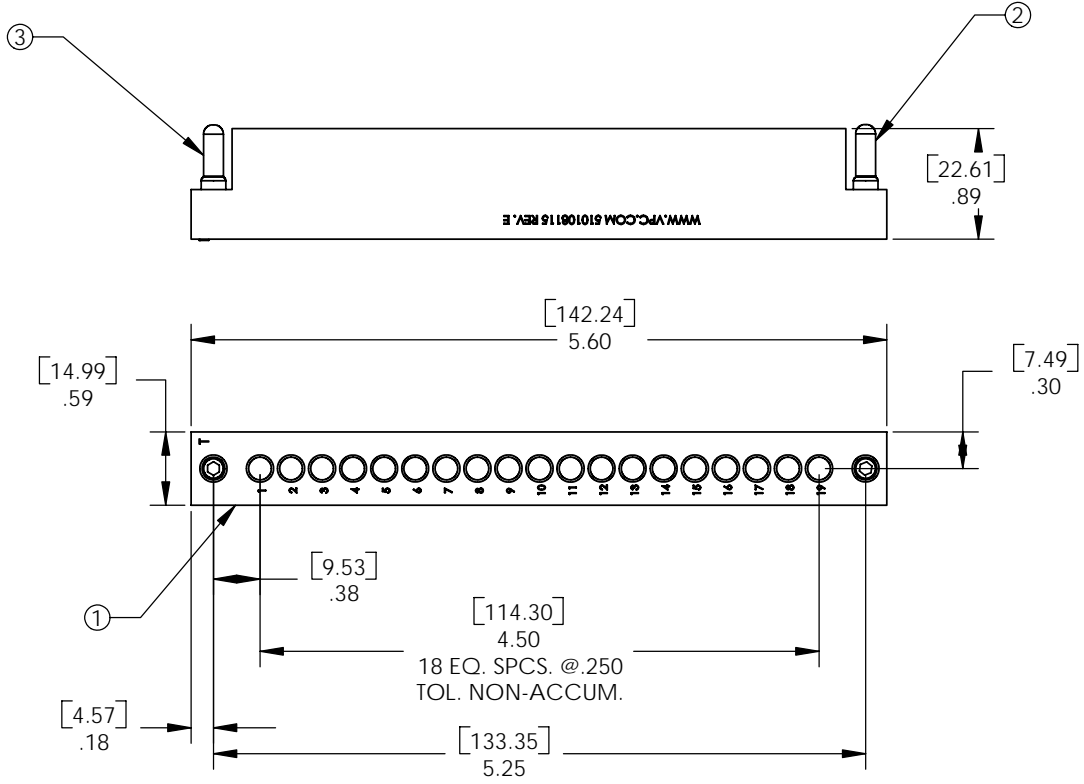


DO NOT SCALE DRAWING

THE INFORMATION CONTAINED HEREIN IS THE EXCLUSIVE PROPERTY OF VIRGINIA PANEL CORPORATION AND IS PROVIDED FOR USE BY THE CUSTOMER ONLY.

REVISIONS			
REV	DESCRIPTION	DATE	APPROVED
E	INCORPORATED ECN #2636	2/06/02	REH



ITEM NO.	QTY.	PART NO.	DESCRIPTION
1	1	414849101PWR	Module, ITA 19 Pin, Mini Coax/Power
2	2	902425	Scr Sh Cp 4-40 x .56 SST
3	2	266558	Cp Scr #4

CUSTOMER DRAWING		CUSTOMER DRAWING	
DIMENSIONS ARE SHOWN AS [MILLIMETERS] INCHES	SIGNATURES DR R GARMAN CHK	DATE 9/26/97	VIRGINIA PANEL CORP. MOD ITA 90SRS 19 PIN MINI POWER
MATERIAL			
FINISH			
	SIZE B	FSCM NO. 18117	DWG. NO. 510108115
	SCALE: 1:1	510108115	9/26/97
		SHEET	1 of 1

NOTES:
1. FOR APPLICATION USE AND CARE INFORMATION CONSULT VPC USERS MANUAL @ WWW.VPC.COM