

8 7 6 5 4 3 2 1

DO NOT SCALE DRAWING

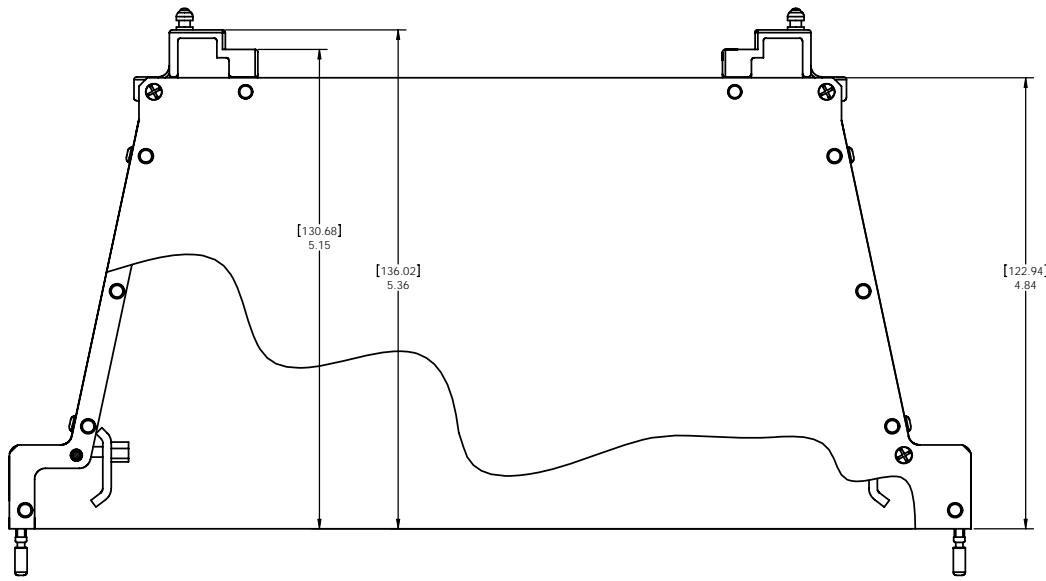
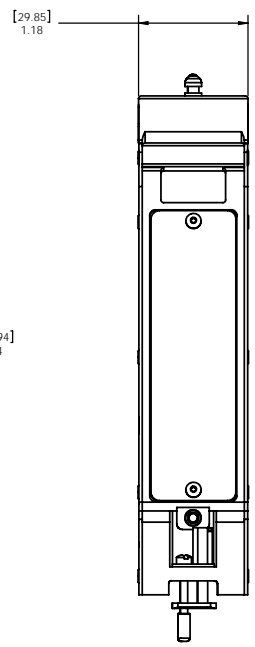
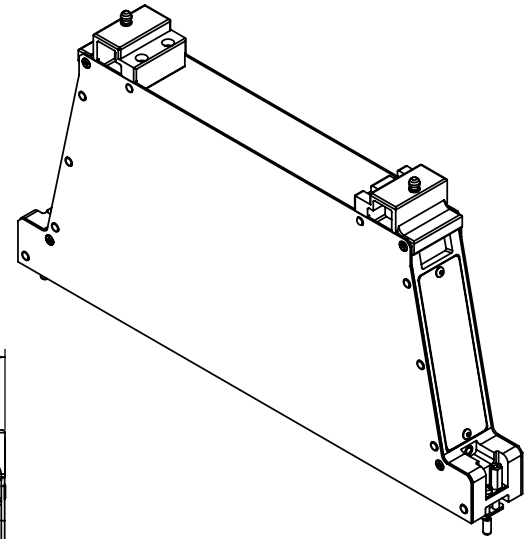
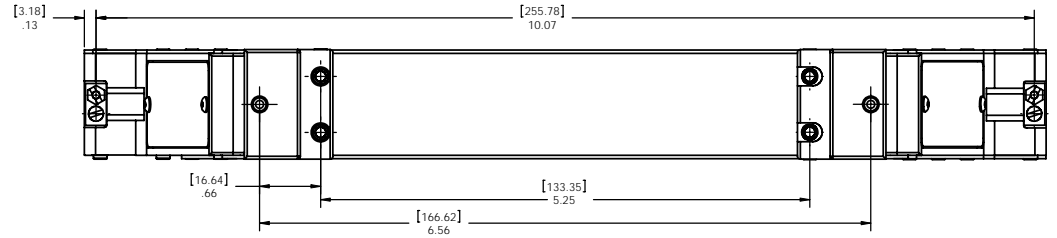
THE INFORMATION CONTAINED HEREIN IS THE EXCLUSIVE PROPERTY OF VIRGINIA PANEL CORP. AND IS SUBMITTED FOR USE BY THE CUSTOMER ONLY. THE DATA SHALL NOT BE DUPLICATED, USED, OR DISCLOSED IN WHOLE OR IN PART FOR ANY PURPOSE OTHER THAN TO MAINTAIN THE EQUIPMENT PROVIDED.

ZONE		REV	DESCRIPTION	DATE	APPROVED
C		ECN #08-510-0106		9/5/08	RD

REVISIONS

D
C
B
A

D
C
B
A



2 MATERIALS: SIDE COVERS - CLEAR CHROMATED ALUMINUM
TOP AND BOTTOM ASSEMBLIES, END COVERS - STAINLESS STEEL FILLED ABS
ALIGNMENT PIN - STAINLESS STEEL

1 FOR APPLICATION, USE & CARE INFORMATION
CONSULT VPC USERS GUIDE @WWW.VPC.COM.

NOTES:

SOLIDWORKS DRAWING FILE		CUSTOMER DRAWING - CUSTOMER DRAWING - CUSTOMER DRAWING		
DIMENSIONS ARE SHOWN AS:		CONTRACT NO.		VIRGINIA PANEL CORPORATION www.vpc.com
(millimeters)		SIGNATURES	DATE	
INCHES		DR R GARMAN	4/30/02	
REMOVE BURRS; BREAK SHARP EDGES		CHK		ADAPTER HOUSING, C SIZE SINGLE
MATERIAL		ENG		
FINISH		PROD		
		ASSY		
		CJA		
		APPD		REF: [SCM NO] DWG NO: 510109179 REV: C [D] 18117 SCALE: NONE 510109179 4/30/02 SHEET 1 OF 1

8 7 6 5 4 3 2 1