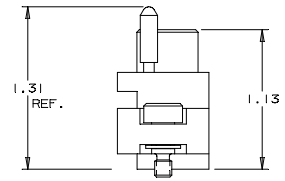
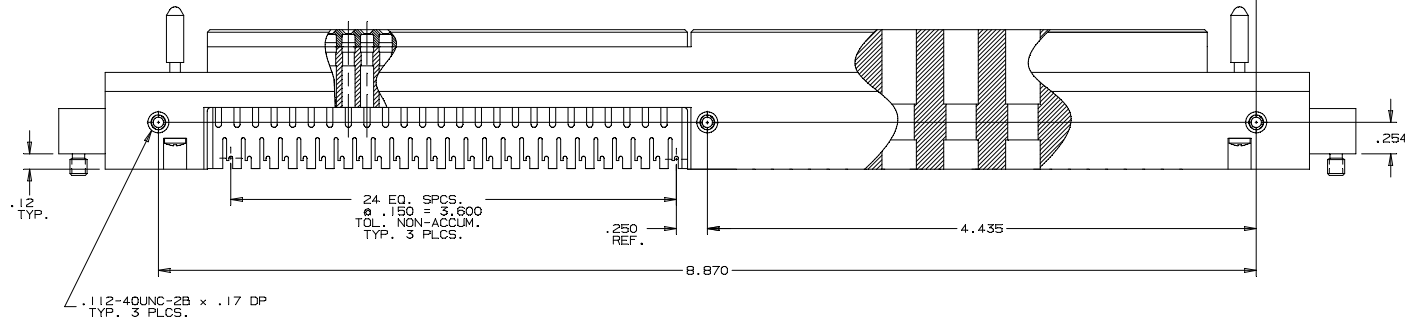
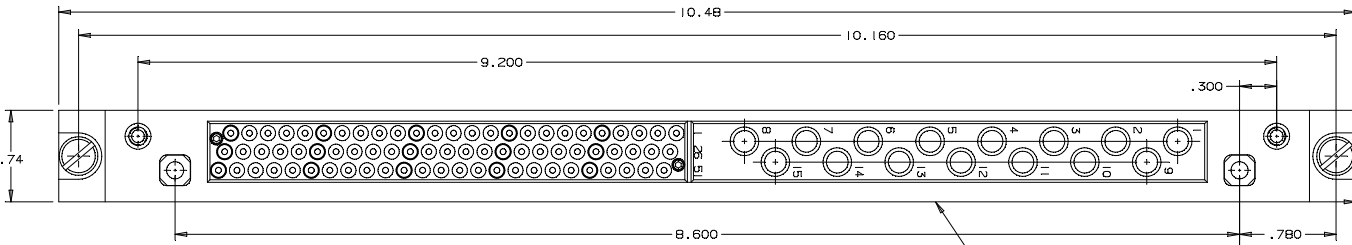


8 7 6 5 4 3 2 1

DO NOT SCALE DRAWING

THE INFORMATION CONTAINED HEREIN IS THE EXCLUSIVE PROPERTY OF VIRGINIA PANEL CORP. AND IS SUBMITTED FOR USE BY THE CUSTOMER ONLY. THIS DATA SHALL NOT BE REPRODUCED, USED, OR ANYWISE CLOSED IN WHOLE OR IN PART FOR ANY PURPOSE OTHER THAN TO MAINTAIN THE EQUIPMENT PROVIDED.

REVISIONS				
ZONE	REV	DESCRIPTION	DATE	APPROVED
	E	INCORPORATED ECN # 04-510-0123	7/28/04	SR



CUSTOMER DRAWING

510112132 - WITH PINS & WITHOUT COMBS

- 3 - SILKSCREEN VIRGINIA PANEL CORP. AND P/N ON SIDE INDICATED IN CONTRASTING COLOR USING .06 HIGH CHARACTERS  
 2 - PCB SETUP DIMENSIONS AND COMB SHOWN FOR P/N-510112139 ONLY.  
 1 - SIGNAL PINS NOT SHOWN FOR CLARITY.

NOTES:

FLY NO.	QTY REQD	CODE IDENT	PART NO.	DESCRIPTION	SOURCE OF SUPPLY
PARTS LIST					
DIMENSIONS ARE IN INCHES UNLESS OTHERWISE SPECIFIED.				CONTRACT NO.	
TOLERANCES ARE:				SIGNATURES	
DEC. XX4. 021 FRAC±				DR	EH MARION 4/28/92
.XXX4010 ANG ±				CHK	H.BURGERS 4/30/92
REMOVE BURRS. BREAK SHARP EDGES.				ENG	
MATERIAL				APPD	H.B. 4/30/92
FINISH				APPD	
NEXT ASSY		USED ON		SIZE/FSCM NO.	
APPLICATION				D18117	
				Dwg No. 4320 40 000	
				SCALE: 2:1 43204000 1/26/94 SHEET 1 OF 1	

8 7 6 5 4 3 2 1