

4

3

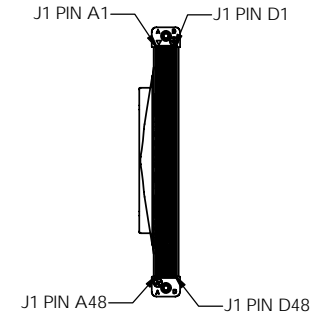
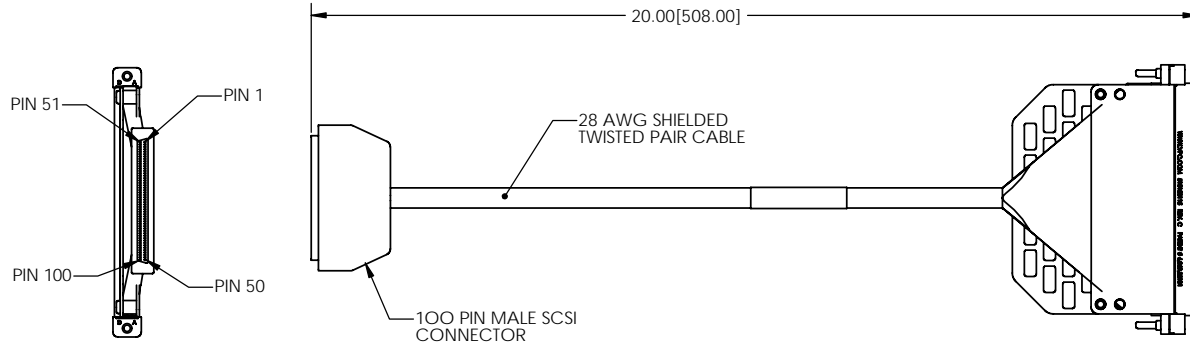
2

1

DO NOT SCALE DRAWING

THE INFORMATION CONTAINED HEREIN IS THE EXCLUSIVE PROPERTY OF VIRGINIA PANEL CORP. AND IS SUBMITTED FOR USE BY THE CUSTOMER ONLY. THE DATA SHALL NOT BE DUPLICATED, USED, OR DISCLOSED IN WHOLE OR IN PART FOR ANY PURPOSE OTHER THAN TO MAINTAIN THE EQUIPMENT PROVIDED. CONSULT WITH VIRGINIA PANEL CORPORATION ENGINEERING IF MORE DETAIL IS REQUIRED.

REVISIONS				
ZONE	REV	DESCRIPTION	DATE	APPROVED
	B	ECN# 06-540-0003	1/4/06	SR



VPC MODULE 510150115 J1	SCXI 100 PIN CONNECTOR	VPC MODULE 510150115 J1	SCXI 100 PIN CONNECTOR	VPC MODULE 510150115 J1	SCXI 100 PIN CONNECTOR	VPC MODULE 510150115 J1	SCXI 100 PIN CONNECTOR
PIN A 1	PIN 1	PIN A26	PIN 26	PIN B3	PIN 51	PIN B28	PIN 76
PIN A 2	PIN 2	PIN A27	PIN 27	PIN B4	PIN 52	PIN B29	PIN 77
PIN A 3	PIN 3	PIN A28	PIN 28	PIN B5	PIN 53	PIN B30	PIN 78
PIN A 4	PIN 4	PIN A29	PIN 29	PIN B6	PIN 54	PIN B31	PIN 79
PIN A 5	PIN 5	PIN A30	PIN 30	PIN B7	PIN 55	PIN B32	PIN 80
PIN A 6	PIN 6	PIN A31	PIN 31	PIN B8	PIN 56	PIN B33	PIN 81
PIN A 7	PIN 7	PIN A32	PIN 32	PIN B9	PIN 57	PIN B34	PIN 82
PIN A 8	PIN 8	PIN A33	PIN 33	PIN B10	PIN 58	PIN B35	PIN 83
PIN A 9	PIN 9	PIN A34	PIN 34	PIN B11	PIN 59	PIN B36	PIN 84
PIN A 10	PIN 10	PIN A35	PIN 35	PIN B12	PIN 60	PIN B37	PIN 85
PIN A 11	PIN 11	PIN A36	PIN 36	PIN B13	PIN 61	PIN B38	PIN 86
PIN A 12	PIN 12	PIN A37	PIN 37	PIN B14	PIN 62	PIN B39	PIN 87
PIN A 13	PIN 13	PIN A38	PIN 38	PIN B15	PIN 63	PIN B40	PIN 88
PIN A 14	PIN 14	PIN A39	PIN 39	PIN B16	PIN 64	PIN B41	PIN 89
PIN A 15	PIN 15	PIN A40	PIN 40	PIN B17	PIN 65	PIN B42	PIN 90
PIN A 16	PIN 16	PIN A41	PIN 41	PIN B18	PIN 66	PIN B43	PIN 91
PIN A 17	PIN 17	PIN A42	PIN 42	PIN B19	PIN 67	PIN B44	PIN 92
PIN A 18	PIN 18	PIN A43	PIN 43	PIN B20	PIN 68	PIN B45	PIN 93
PIN A 19	PIN 19	PIN A44	PIN 44	PIN B21	PIN 69	PIN B46	PIN 94
PIN A 20	PIN 20	PIN A45	PIN 45	PIN B22	PIN 70	PIN B47	PIN 95
PIN A 21	PIN 21	PIN A46	PIN 46	PIN B23	PIN 71	PIN B48	PIN 96
PIN A 22	PIN 22	PIN A47	PIN 47	PIN B24	PIN 72	PIN C1	PIN 97
PIN A 23	PIN 23	PIN A48	PIN 48	PIN B25	PIN 73	PIN C2	PIN 98
PIN A 24	PIN 24	PIN B1	PIN 49	PIN B26	PIN 74	PIN C3	PIN 99
PIN A 25	PIN 25	PIN B2	PIN 50	PIN B27	PIN 75	PIN C4	PIN 100

1 FOR APPLICATION, USE & CARE INFORMATION CONSULT VPC USERS GUIDE @WWW.VPC.COM

NOTES:

CUSTOMER DRAWING - CUSTOMER DRAWING

SOLIDWORKS DRAWING FILE	DIMENSIONS ARE SHOWN AS:		SIGNATURES		DATE	VIRGINIA PANEL CORPORATION		
	(millimeters)		DR	E. HUBBARD	5/19/03	WWW.VPC.COM		
	INCHES		CHK			CABLE ASM 1-192 PIN RCVR MODULE TO 100 PIN MALE SCSI, 20"		
			ENG			SIZE	FSCM NO.	DWG. NO.
REMOVE BURRS. BREAK SHARP EDGES		PROD			C	18117	540009010140	B
MATERIAL		ASSY			SCALE: NONE	5/19/03	540009010140	SHEET 1 OF 1
FINISH		O A						
		APPD						

4

3

2

1