

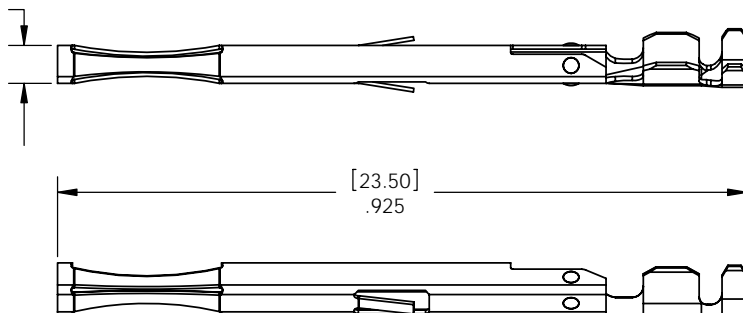
DO NOT SCALE DRAWING

THE INFORMATION CONTAINED HEREIN IS THE EXCLUSIVE PROPERTY OF VIRGINIA PANEL CORPORATION AND IS PROVIDED FOR USE BY THE CUSTOMER ONLY.

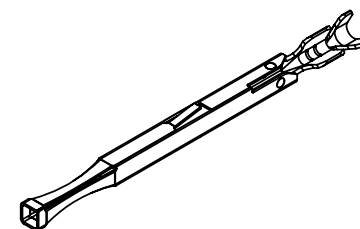
REVISIONS			
REV	DESCRIPTION	DATE	APPROVED
K	ECN 07-610-0006	5/30/07	



[1.30±0.04]
.051±.0015



[23.50]
.925



CUSTOMER DRAWING - CUSTOMER DRAWING

DIMENSIONS ARE SHOWN AS		SIGNATURES		DATE	VIRGINIA PANEL CORP.		
[MILLIMETERS] INCHES		DR	DAshby	7/9/2002			
MATERIAL		CHK			SIGNAL CONTACT, RECEIVER, QUADRAPADDLE 3 AMP, 22-28 AWG, CRIMP		
Beryllium Copper					SIZE	FSCM NO.	DWG. NO.
FINISH					B	18117	610138116
50 μ inch Gold over 100 μ inch Nickel					SCALE: 2:1	610138116	SHEET 1 OF 1

1. FOR APPLICATION USE AND CARE INFORMATION CONSULT VPC USERS MANUAL @ WWW.VPC.COM

NOTES: