

4

3

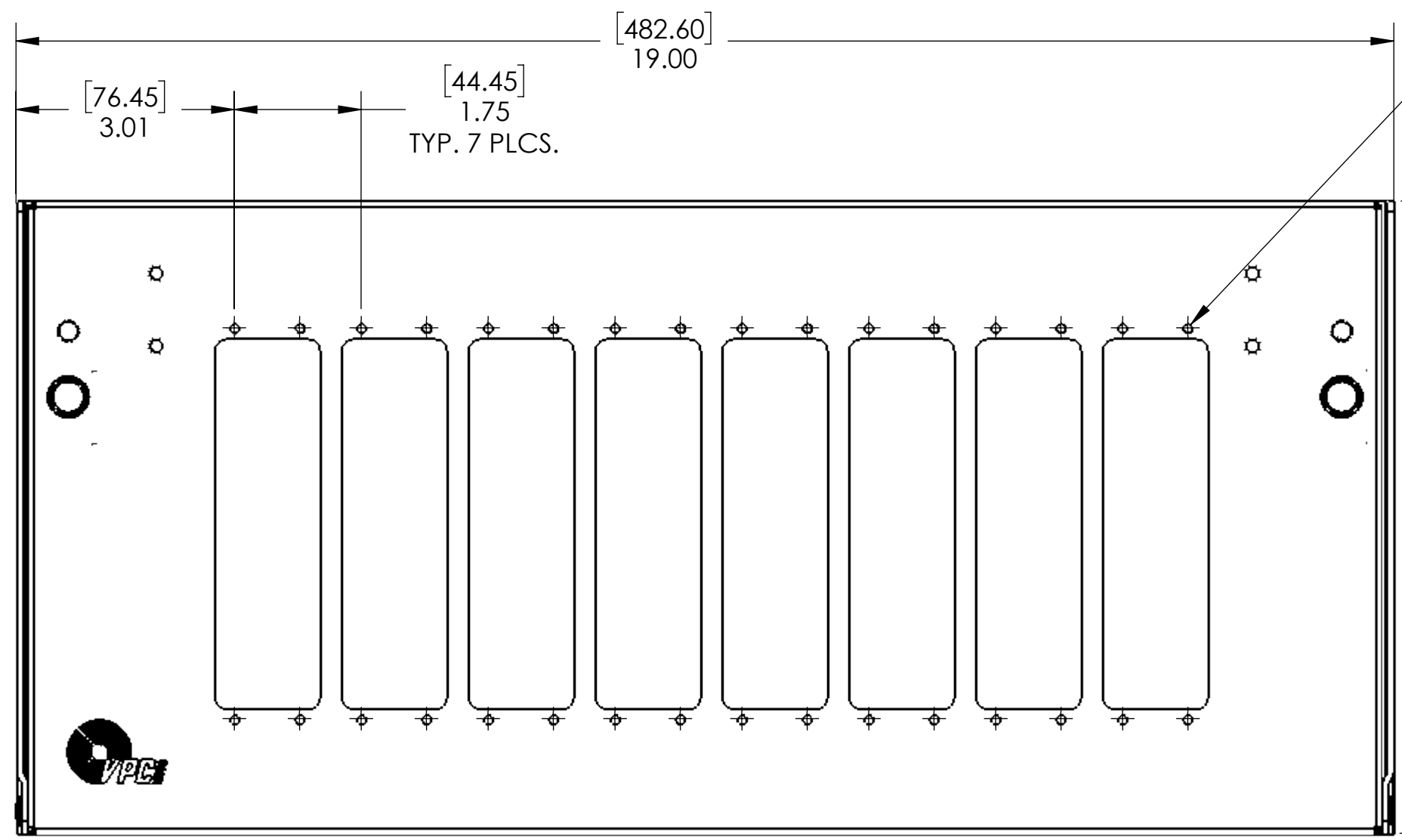
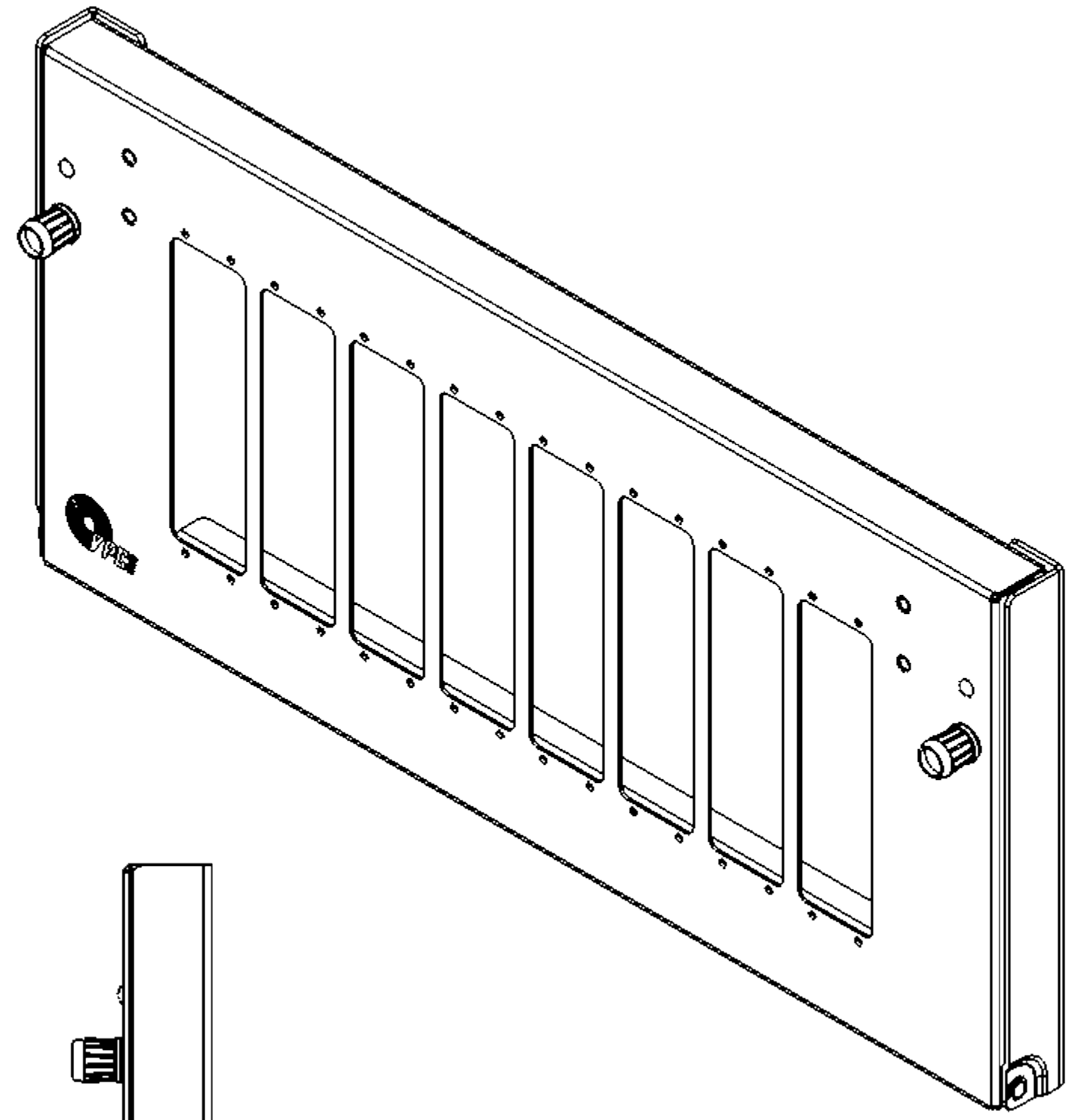
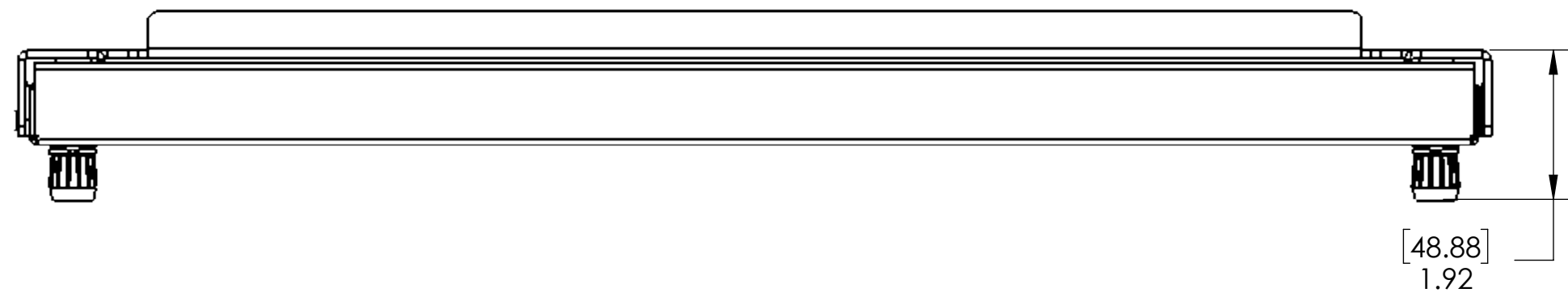
2

1

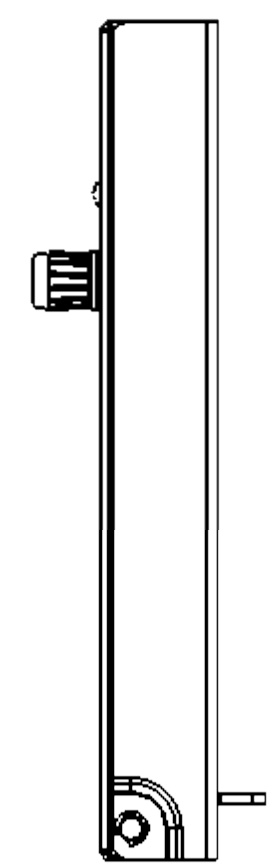
DO NOT SCALE DRAWING

THE INFORMATION CONTAINED HEREIN IS THE EXCLUSIVE PROPERTY OF VPC AND IS PERMITTED FOR USE BY THE CUSTOMER ONLY. THE DATA SHALL NOT BE DUPLICATED, USED, OR DISCLOSED IN WHOLE OR IN PART FOR ANY PURPOSE OTHER THAN TO MAINTAIN THE EQUIPMENT PROVIDED. CONSULT WITH VPC ENGINEERING IF MORE DETAIL IS REQUIRED.

REVISIONS			
REV	DESCRIPTION	DATE	ENGR
A	ORIGINAL RELEASE ECN #15063	6/16/2025	M ECKERT



2-56 PEM NUTS
TYP. 32 PLCS.



D

D

C

C

B

B

A

A

2. USE WITH iCon RECEIVERS 310123101 AND 310123102
1. FOR MORE INFORMATION, VISIT VPC.COM.

NOTES:

CUSTOMER DRAWING			
VIRGINIA PANEL CORPORATION WWW.VPC.COM			
VHMF RCV 5U ICON 8 POSITION			
DIMENSIONS ARE SHOWN AS:	SIZE	CAGE CODE	DWG. NO.
[MILLIMETERS]	C	18117	310113699
INCHES			
	SCALE: NONE		SHEET 1 OF 1

4

3

2

1