

8

7

6

5

4

3

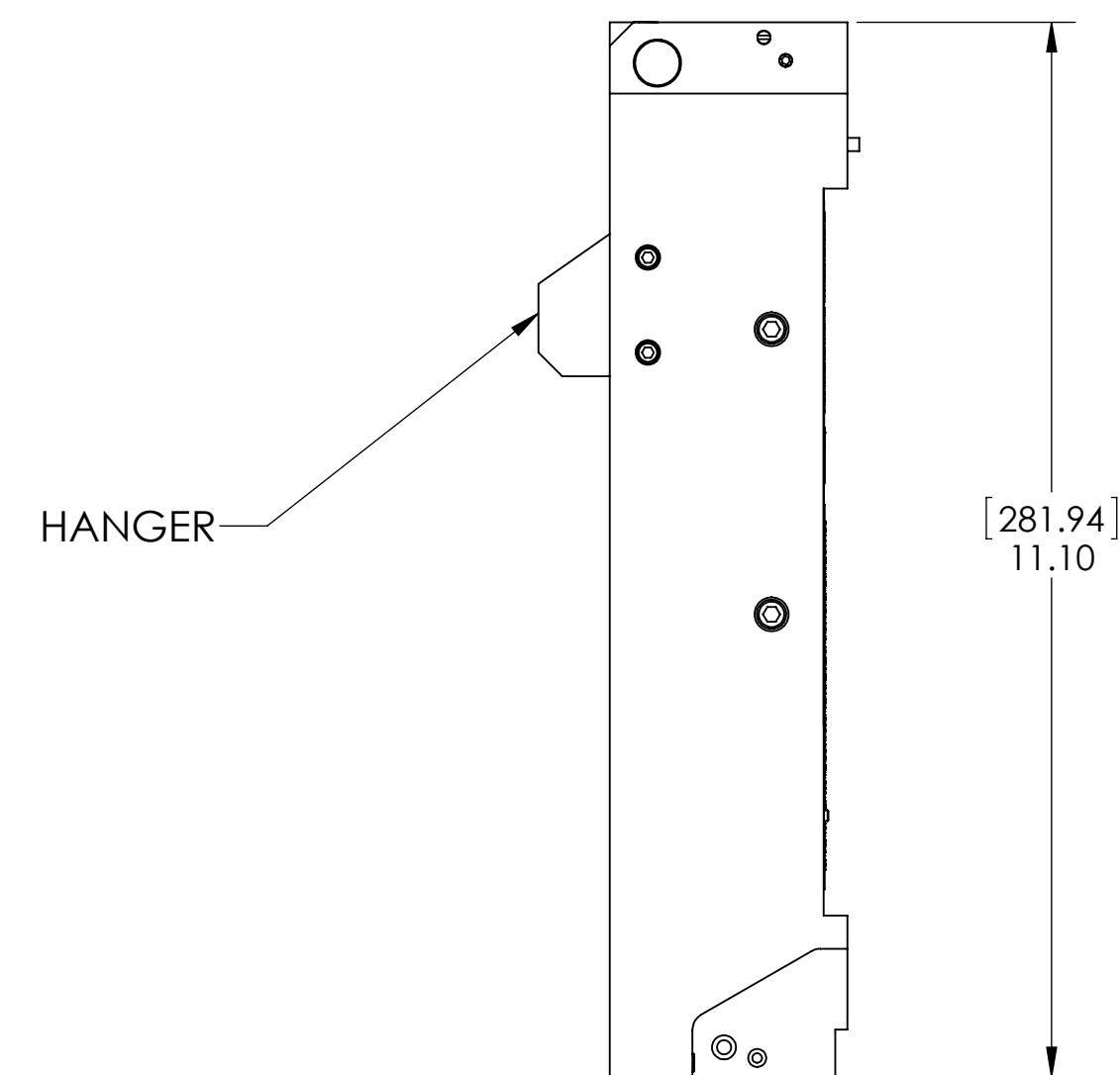
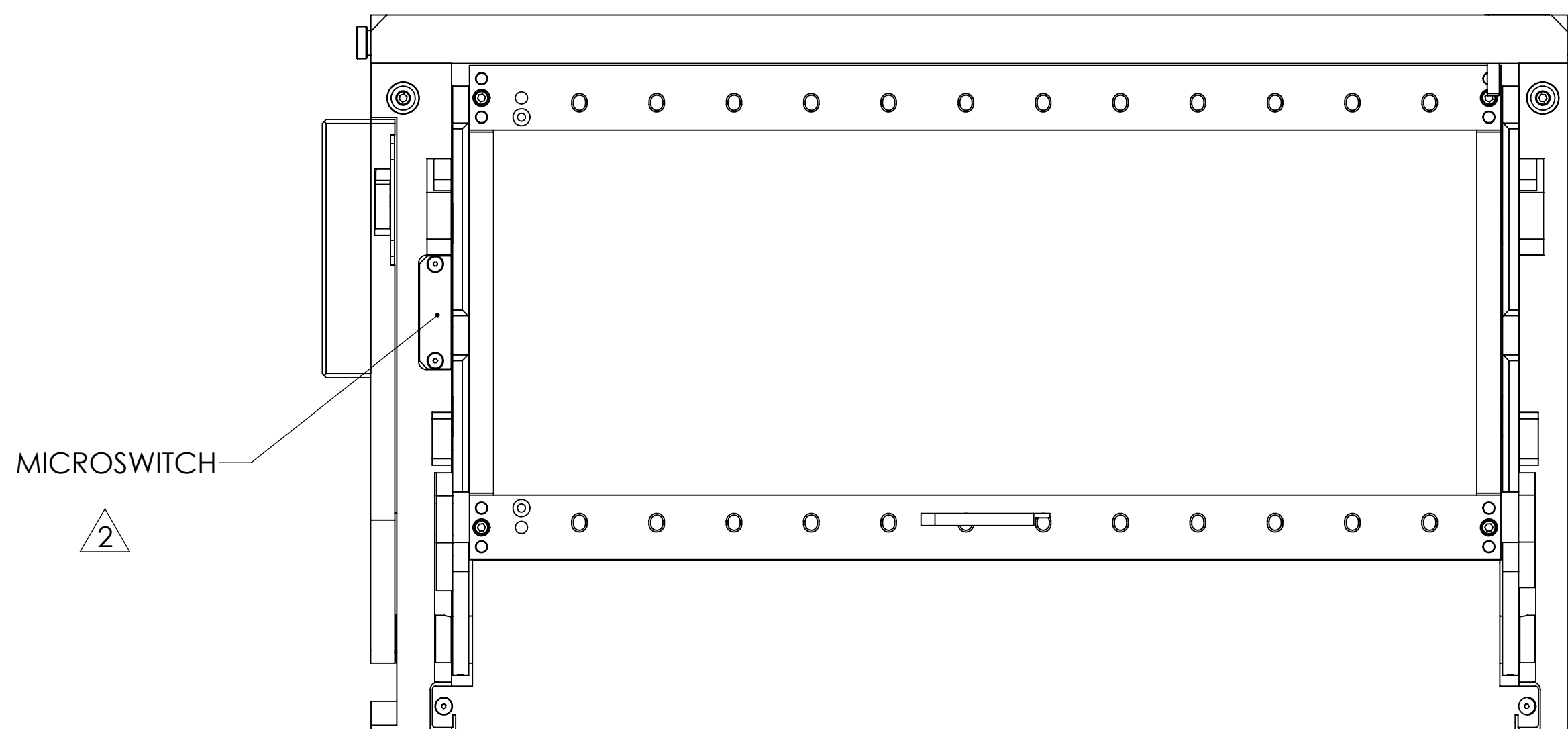
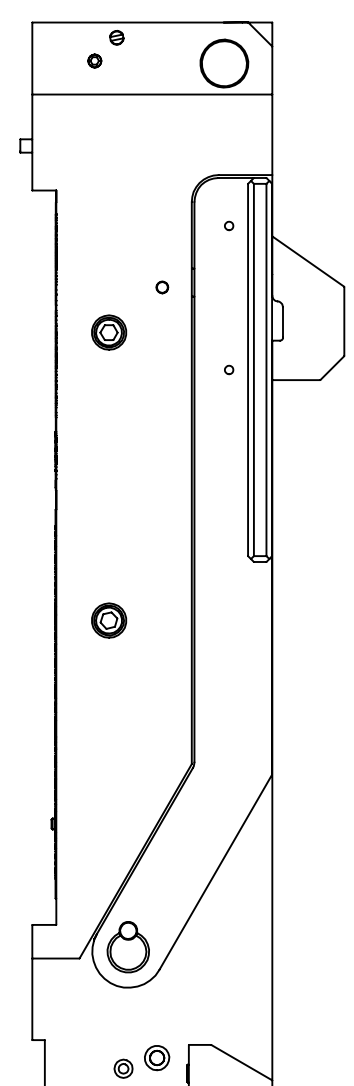
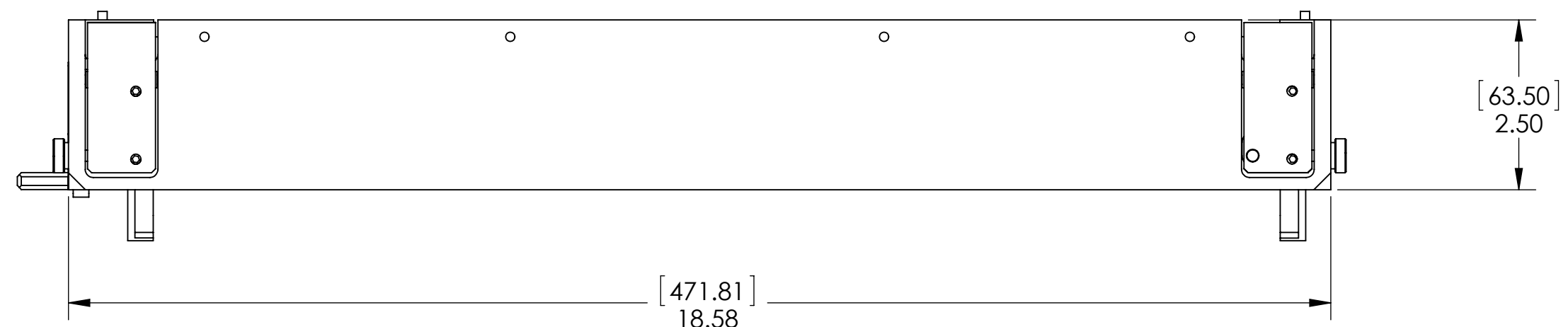
2

1

DO NOT SCALE DRAWING

THE INFORMATION CONTAINED HEREIN IS THE EXCLUSIVE PROPERTY OF VIRGINIA PANEL CORPORATION AND IS SUBMITTED FOR USE BY THE CUSTOMER ONLY. THE DATA SHALL NOT BE DUPLICATED, USED OR DISCLOSED IN WHOLE OR IN PART FOR ANY PURPOSE OTHER THAN TO MAINTAIN THE EQUIPMENT PROVIDED. CONSULT WITH VIRGINIA PANEL CORPORATION ENGINEERING IF MORE DETAIL IS REQUIRED.

REVISIONS			
REV	DESCRIPTION	DATE	ENGR
P	ECN #4457	2/13/13	RLH



3. (1) 3/32 ALLEN WRENCH INCLUDED FOR MODULE MOUNTING.

2. MICROSWITCH WIRING: N/C - RED  
N/O - WHITE  
COM - BLK

1. FOR APPLICATION USE AND CARE INFORMATION CONSULT VPC USERS GUIDE @ WWW.VPC.COM

NOTES:

**CUSTOMER DRAWING**  
**VIRGINIA PANEL CORPORATION**  
 WWW.VPC.COM  
**VXI RECEIVER ASSEMBLY**

MATING ITA	PROTECTIVE COVER	PLUG AND PLAY PLATE	RELATIVE CONNECTOR POSITIONS AND WIRE ROUTING ARE GENERIC AND MAY VARY WITH PROFIT.	SIZE	CAGE CODE	DWG NO.	REV
410104111	310113163	310113248	DIMENSIONS ARE SHOWN AS:	D	18117	42790000	P
			(MILLIMETERS)	SCALE: 1:2	427900000	2/18/91	SHEET 1 OF 1
			INCHES				

8

7

6

5

4

3

2

1