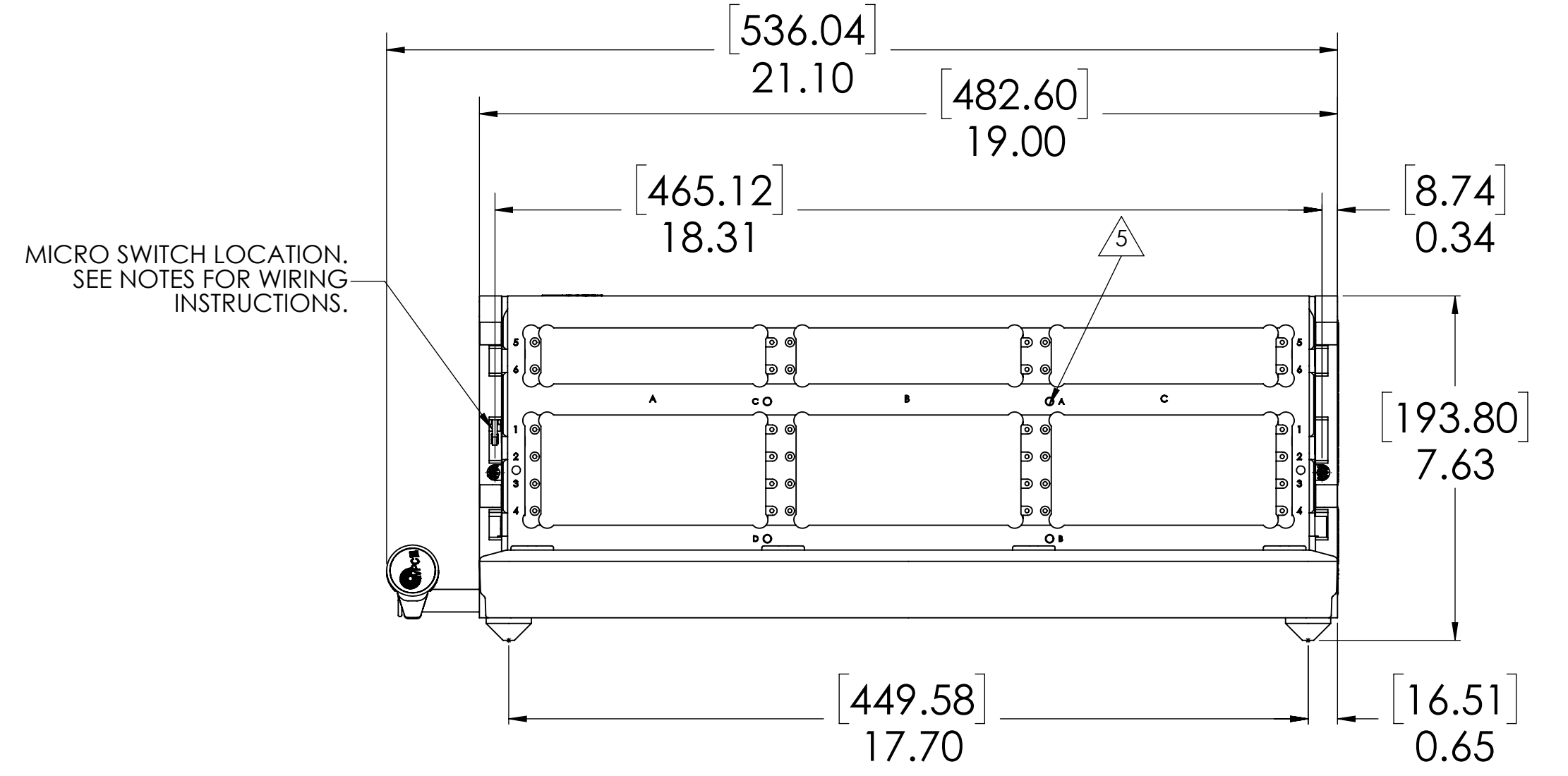
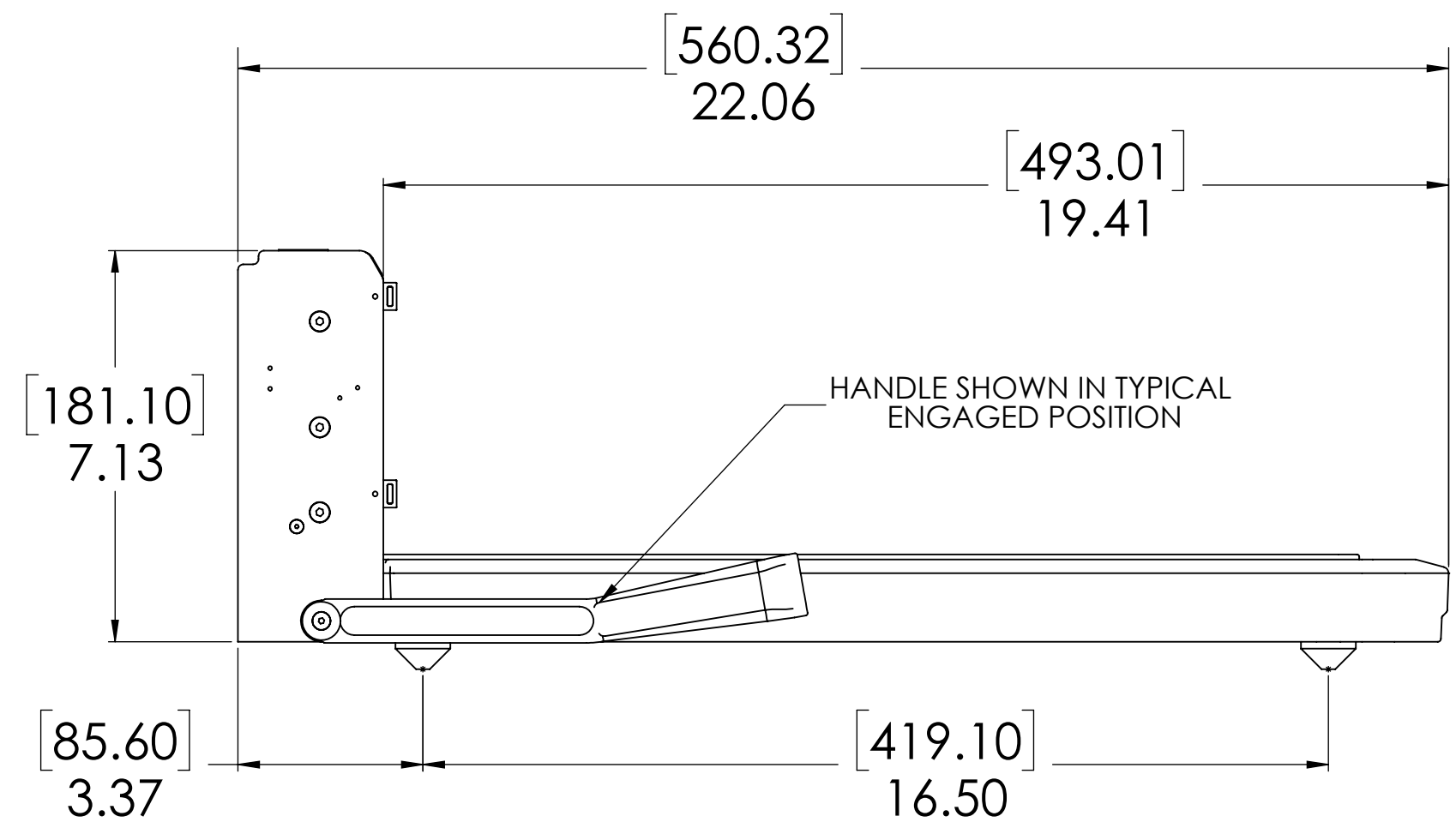
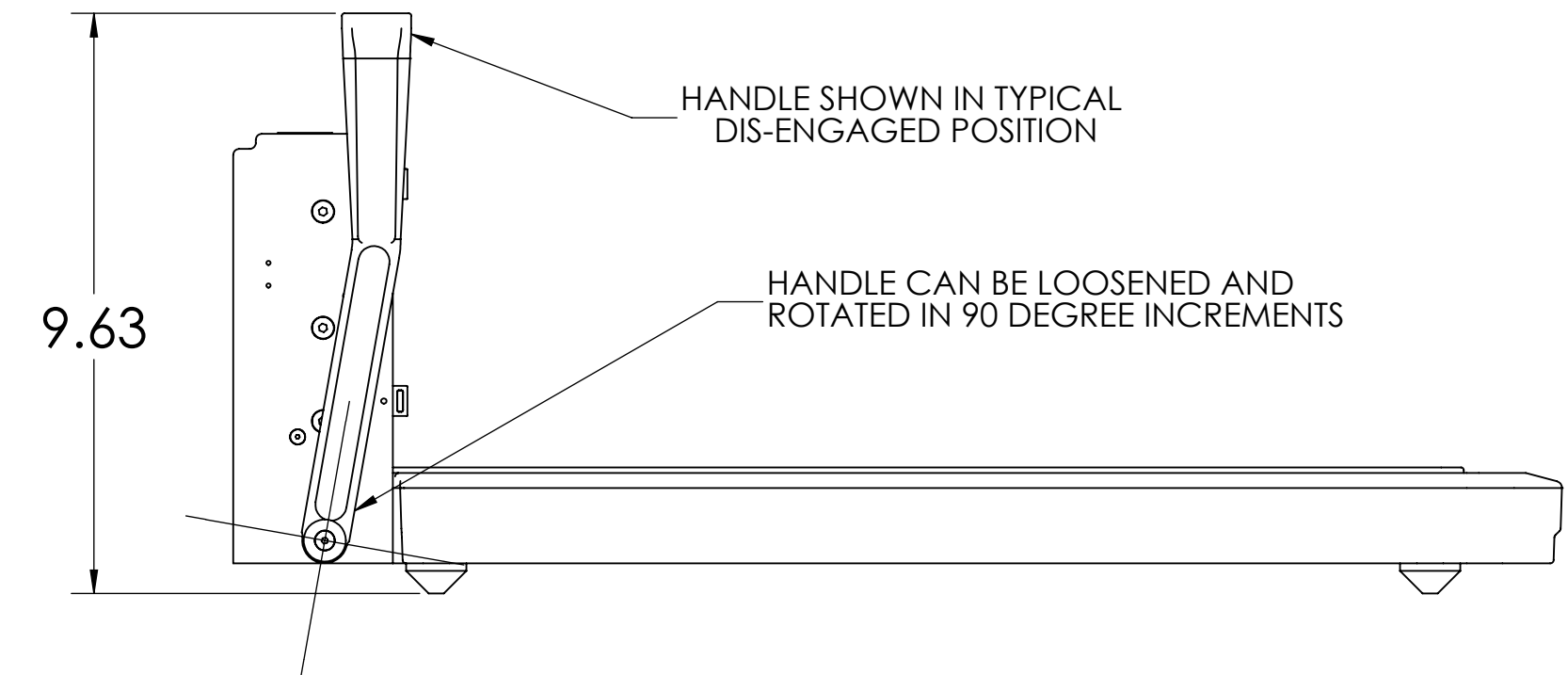
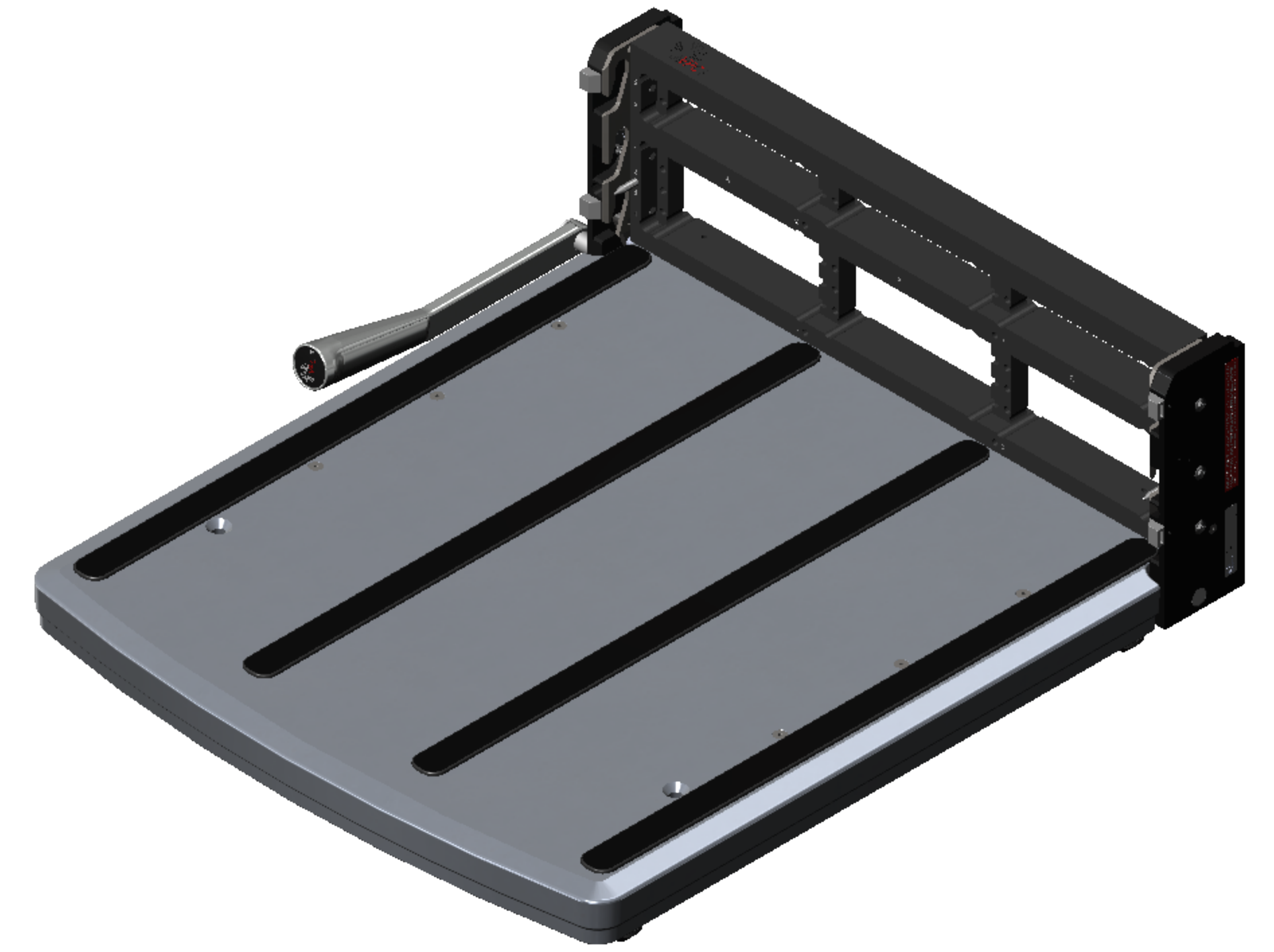
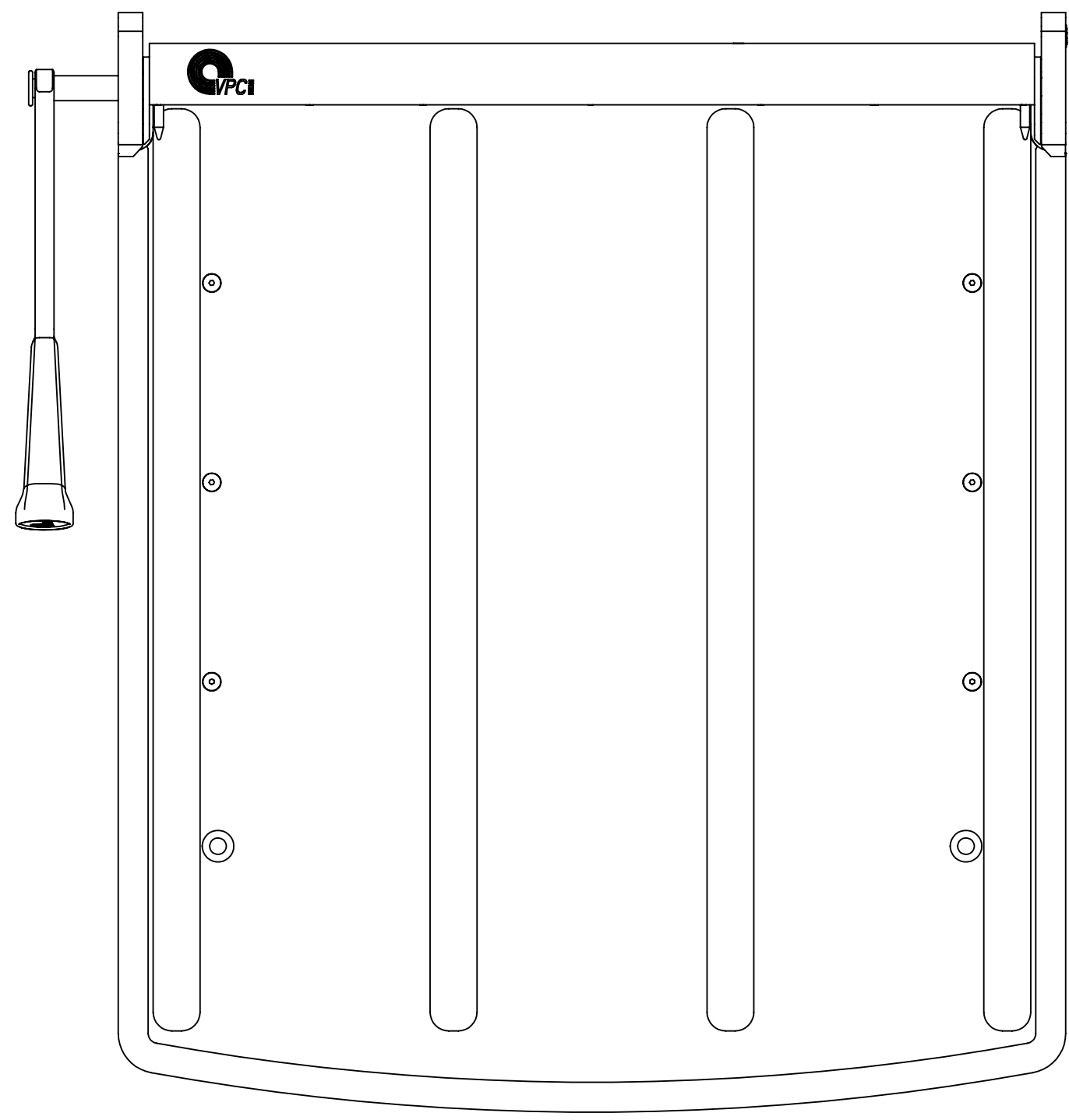


DO NOT SCALE DRAWING

THE INFORMATION CONTAINED HEREIN IS THE EXCLUSIVE PROPERTY OF VPC AND IS PERMITTED FOR USE BY THE CUSTOMER ONLY. THE DATA SHALL NOT BE DUPLICATED, USED, OR DISCLOSED IN WHOLE OR IN PART FOR ANY PURPOSE OTHER THAN TO MAINTAIN THE EQUIPMENT PROVIDED.

REVISIONS			
REV	DESCRIPTION	DATE	ENGR
E	ECN #15217	8/20/25	M ECKERT

KEYING PLUG LOCATIONS							
PATTERN 1				PATTERN 4			
RECEIVER		ITA		RECEIVER		ITA	
PIN A INSTALLED	PIN C INSTALLED	SCREW A OPEN	SCREW C OPEN	PIN A OPEN	PIN C OPEN	SCREW A INSTALLED	SCREW C INSTALLED
PIN B OPEN	PIN D OPEN	SCREW B INSTALLED	SCREW D INSTALLED	PIN B INSTALLED	PIN D INSTALLED	SCREW B OPEN	SCREW D OPEN
PATTERN 2				PATTERN 5			
PIN A INSTALLED	PIN C OPEN	SCREW A OPEN	SCREW C INSTALLED	PIN A OPEN	PIN C INSTALLED	SCREW A INSTALLED	SCREW C OPEN
PIN B INSTALLED	PIN D OPEN	SCREW B OPEN	SCREW D INSTALLED	PIN B INSTALLED	PIN D OPEN	SCREW B OPEN	SCREW D INSTALLED
PATTERN 3				PATTERN 6			
PIN A OPEN	PIN C INSTALLED	SCREW A INSTALLED	SCREW C OPEN	PIN A INSTALLED	PIN C OPEN	SCREW A OPEN	SCREW C INSTALLED
PIN B OPEN	PIN D INSTALLED	SCREW B INSTALLED	SCREW D OPEN	PIN B OPEN	PIN D INSTALLED	SCREW B INSTALLED	SCREW D OPEN



6. GREEN 8-32 HEX HEAD SCREW & LOCK WASHER INCLUDED FOR OPTIONAL GROUND LOCATION TERMINATION.
5. IF KEYING IS REQUIRED USE VPC KEYING KIT PART NUMBER 310118112. SEE TABLE FOR KEYING OPTIONS.
4. RUBBER FEET MAY BE REMOVED AND RECEIVER SECURED TO A TABLE WITH 1/4-20 SCREWS.
3. WEIGHT: APPROXIMATELY 28 POUNDS, ALUMINUM AND STEEL.
2. MICROSWITCH WIRES NOT SHOWN. COLOR CODE AS FOLLOWS:
 RED - NORMALLY CLOSED
 WHITE - NORMALLY OPEN
 BLACK - COMMON
1. FOR MORE INFORMATION, VISIT VPC.COM.
- NOTES:

MATING ITA	PROTECTIVE COVER
410104322 (12 MODULE)	310113518
410104474 (18 MODULE)	

DIMENSIONS ARE SHOWN AS:	SIZE	CAGE CODE	DWG. NO.	REV
[MILLIMETERS]	D	18117	310104151	E
INCHES	SCALE: NONE			SHEET 1 OF 1

CUSTOMER DRAWING

VIRGINIA PANEL CORPORATION
 WWW.VPC.COM

RCV 90S G12x 20"
 PLF LF HND