

4

3

2

1

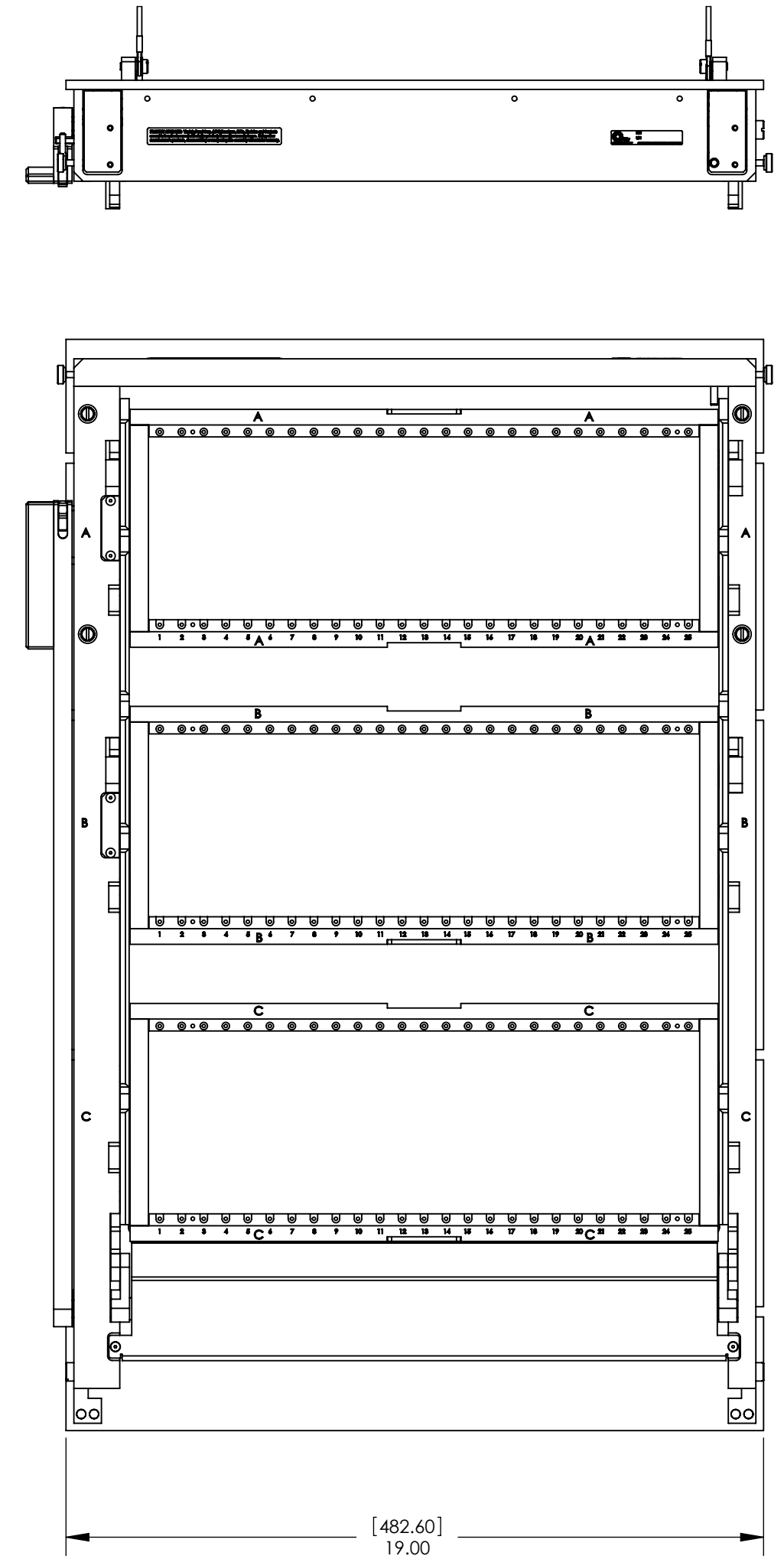
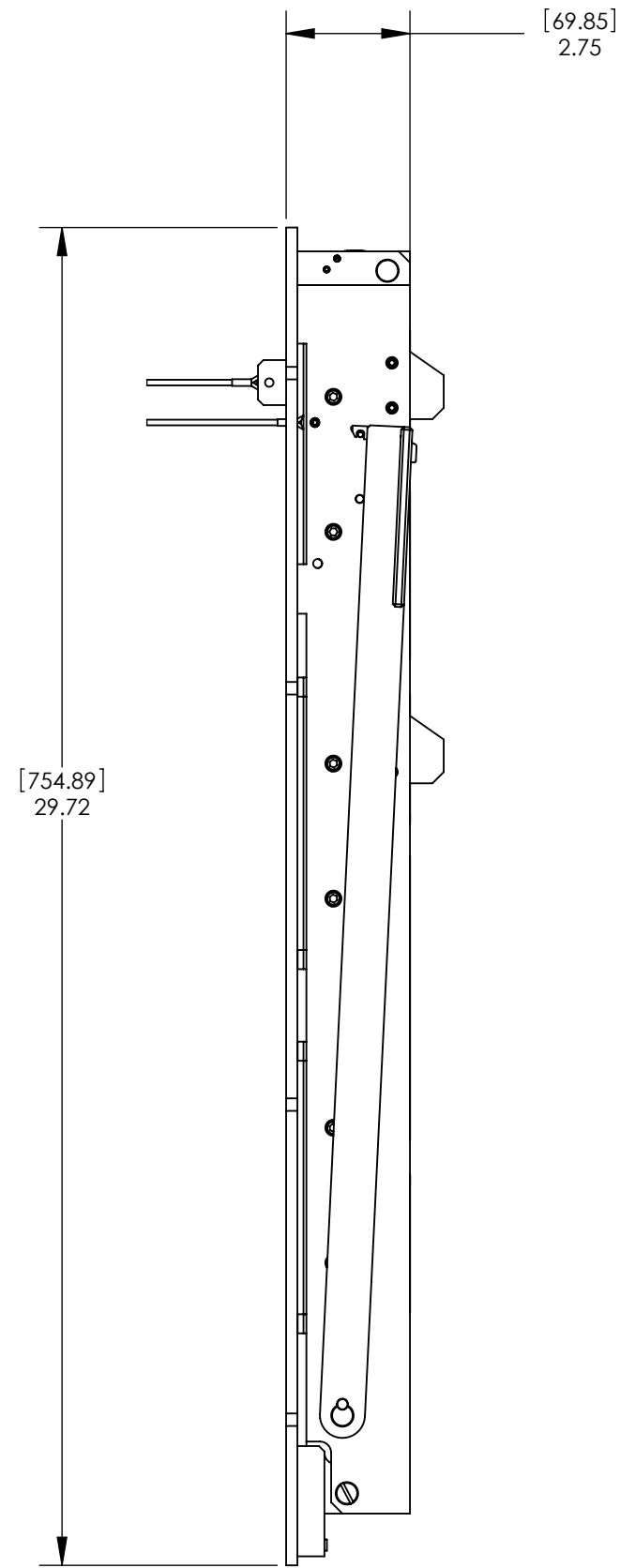
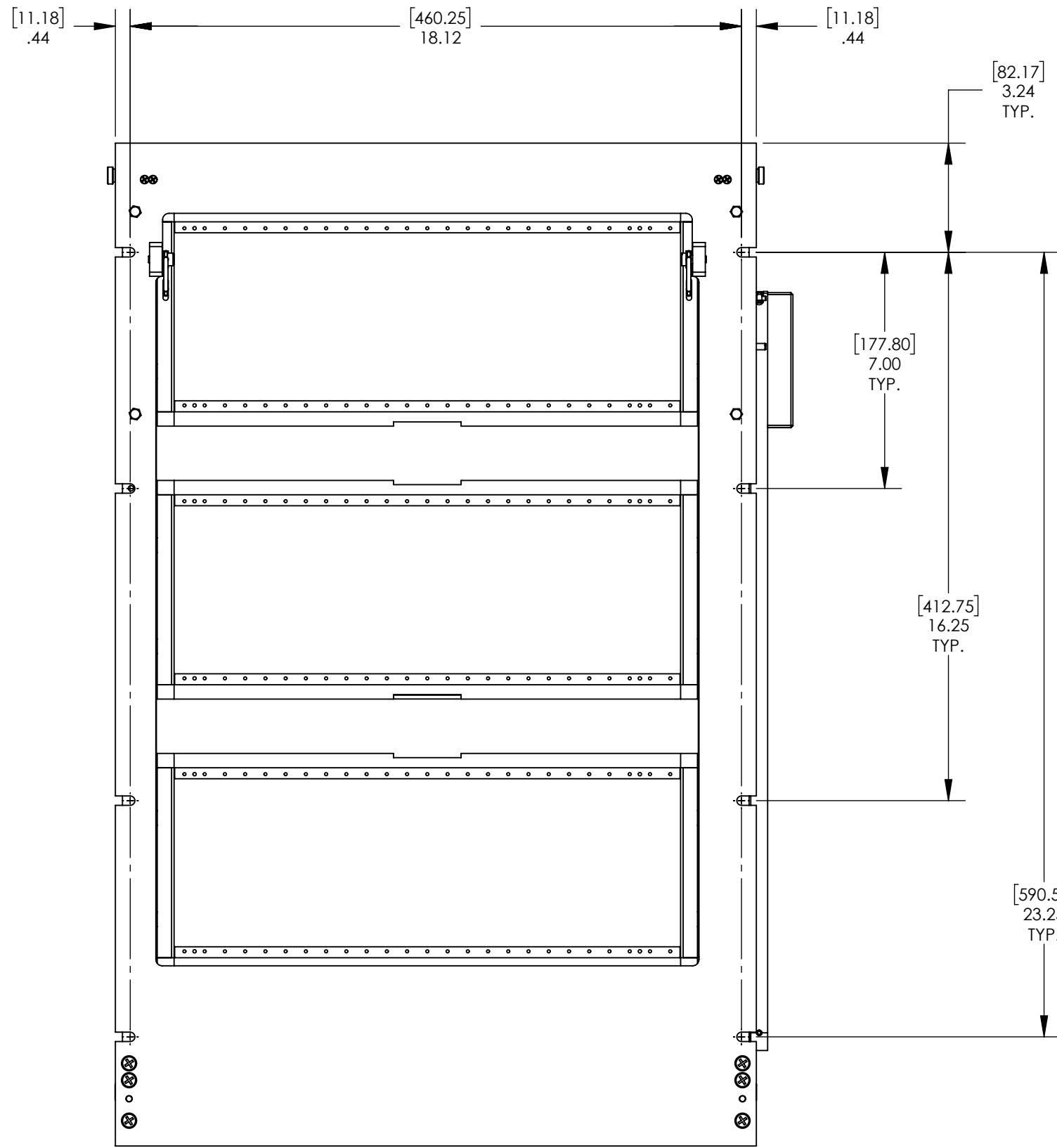
DO NOT SCALE DRAWING

THE INFORMATION CONTAINED HEREIN IS THE EXCLUSIVE PROPERTY OF VPC AND IS PERMITTED FOR USE BY THE CUSTOMER ONLY. THE DATA SHALL NOT BE DUPLICATED, USED, OR DISCLOSED IN WHOLE OR IN PART FOR ANY PURPOSE OTHER THAN TO MAINTAIN THE EQUIPMENT PROVIDED. CONSULT WITH VPC ENGINEERING IF MORE DETAIL IS REQUIRED.

REVISIONS			
REV	DESCRIPTION	DATE	ENGR
P	ECN #14381	7/23/24	J HARDIGREE

D

D



C

C

B

B

A

A

MATING ITA P/N	MATES WITH RECEIVER TIER	PROTECTIVE COVER P/N
410104258	1, 2 AND 3	310113352
410104181	1 AND 2	
410104276	2 AND 3	
410104111	1 OR 2	
410104505	1 OR 2	

1. FOR MORE INFORMATION, VISIT VPC.COM.  
NOTES:

DIMENSIONS ARE SHOWN AS:			
[MILLIMETERS]	SIZE C	CAGE CODE 18117	DWG. NO. 310104307
INCHES	SCALE: NONE	310104307	6/21/01 SHEET 1 OF 1

**CUSTOMER DRAWING**  
**VIRGINIA PANEL CORPORATION**  
**RECEIVER, 75 MODULE,**  
**TRIPLE TIER**

4

3

2

1