

8

7

6

5

4

3

2

1

DO NOT SCALE DRAWING

THE INFORMATION CONTAINED HEREIN IS THE EXCLUSIVE PROPERTY OF VIRGINIA PANEL CORP. AND IS SUBMITTED FOR USE BY THE CUSTOMER ONLY. THE DATA SHALL NOT BE DUPLICATED, USED, OR DISCLOSED IN WHOLE OR IN PART FOR ANY PURPOSE OTHER THAN TO MAINTAIN THE EQUIPMENT PROVIDED.

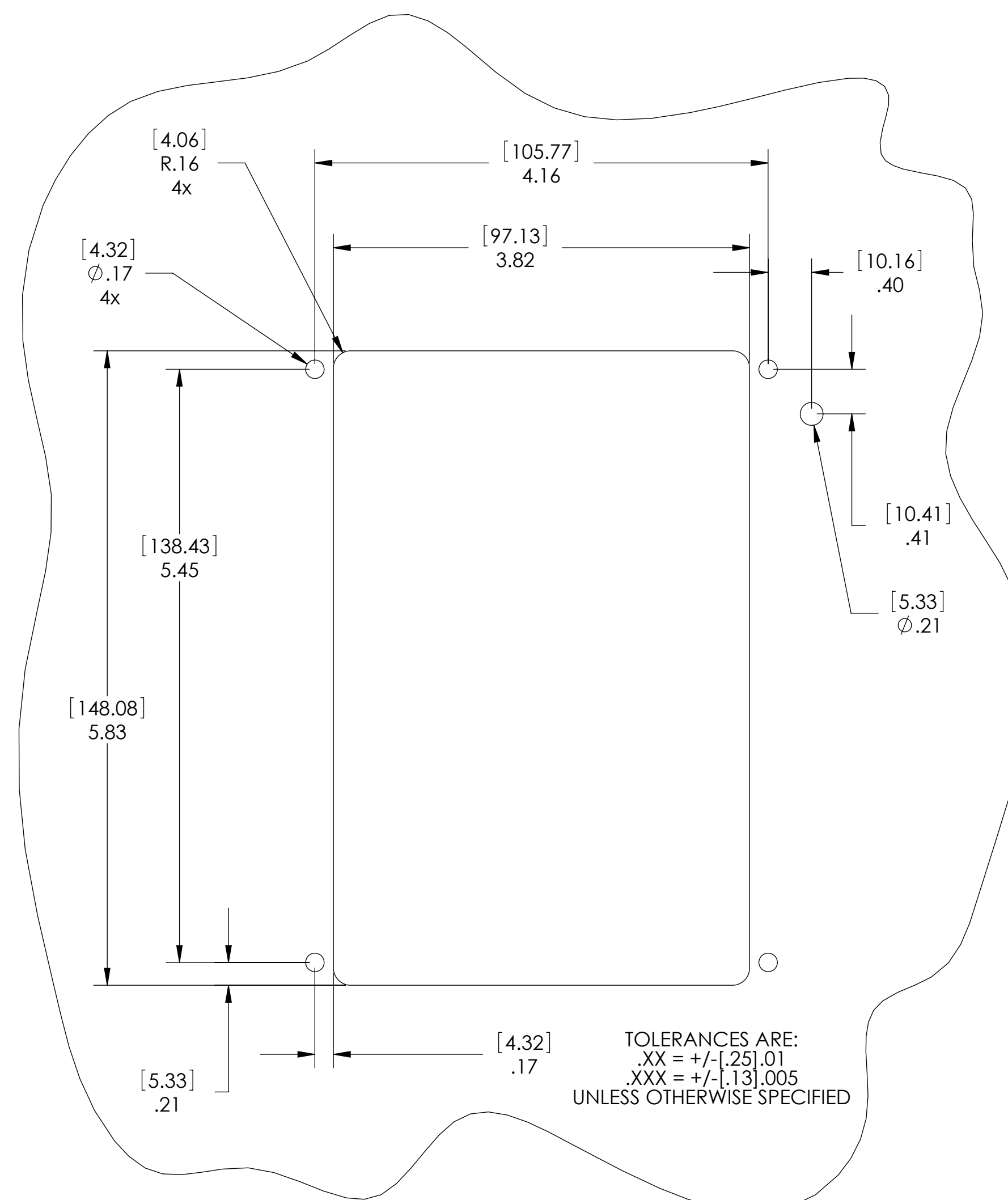
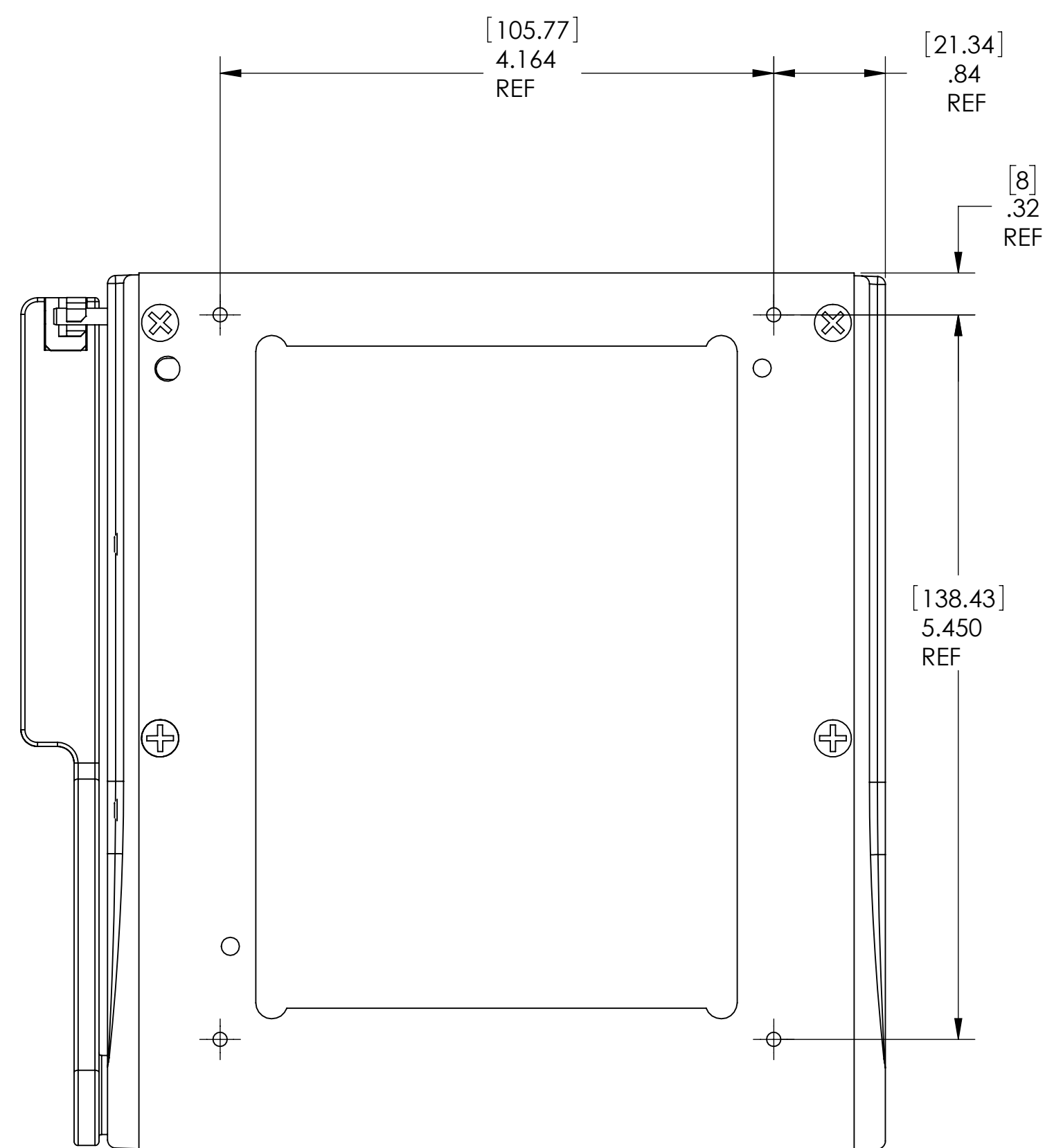
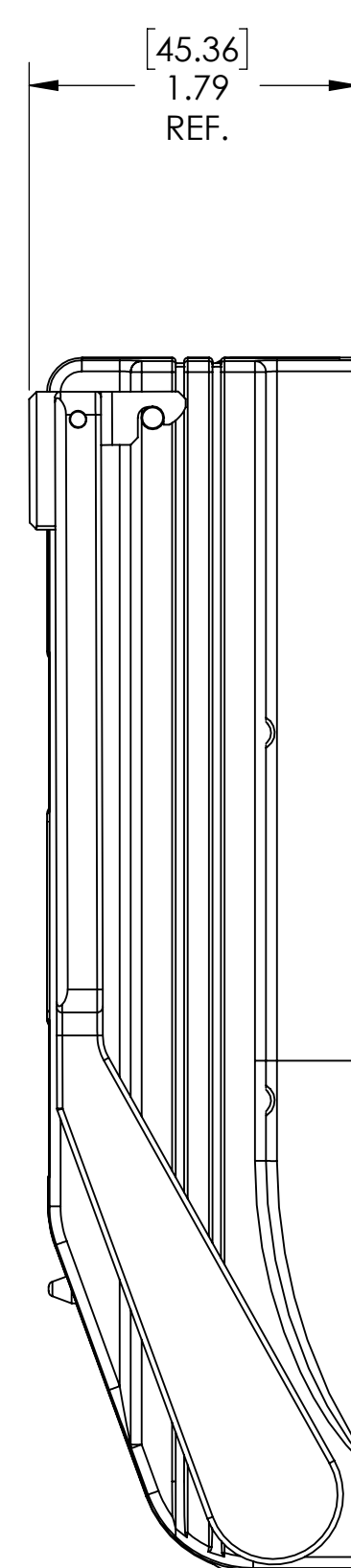
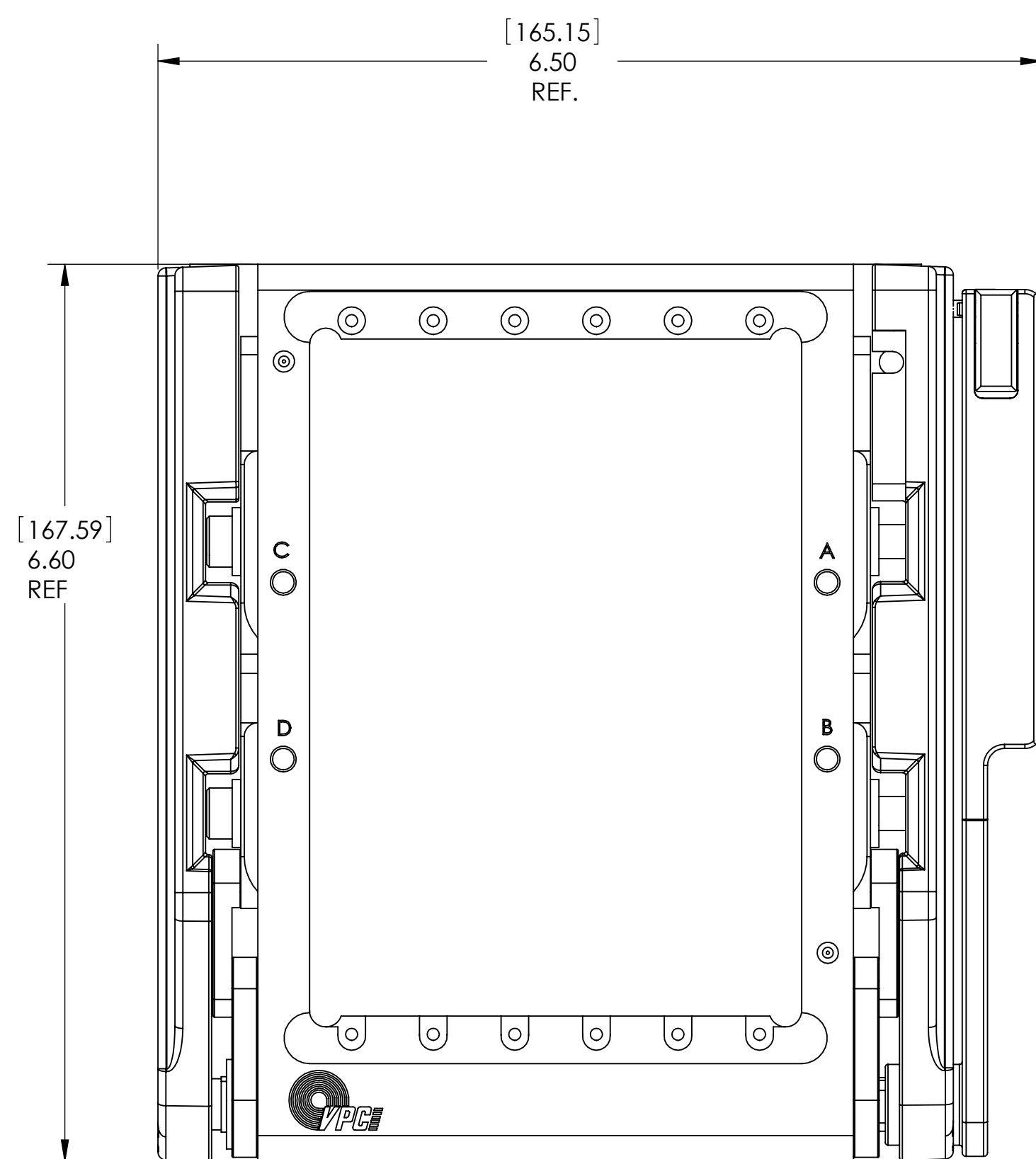
ZONE		REV	DESCRIPTION	DATE	APPROVED
V		ECN # 12820		9/27/22	M ECKERT

D

C

B

A



RECOMMENDED PANEL CUTOUT

RECEIVER SPECIFICATIONS	
WEIGHT	1.94 lbs [.88 Kg]
SIDE MATERIAL	ABS-POLYCARBONATE BLEND
FRAME MATERIAL	ANODIZED ALUMINUM
SLIDE MATERIAL	NICKEL PLATED STEEL
LINKAGE, HANDLE, LATCH	STAINLESS STEEL
AVAILABLE MODULE SLOTS	6 POSITIONS
CYCLE LIFE	20,000 CYCLES
TEMPERATURE	-55°C TO 85°C
MAX WEIGHT SUPPORT	25 lbs @ 6" [11Kg @15.25 cm]

KEYING PLUG LOCATIONS							
PATTERN 1				PATTERN 4			
RECEIVER		ITA		RECEIVER		ITA	
PIN A	PIN C	SCREW A	SCREW C	PIN A	PIN C	SCREW A	SCREW C
INSTALLED	INSTALLED	OPEN	OPEN	OPEN	INSTALLED	INSTALLED	OPEN
PIN B	PIN D	SCREW B	SCREW D	PIN B	PIN D	SCREW B	SCREW D
OPEN	OPEN	INSTALLED	INSTALLED	OPEN	INSTALLED	INSTALLED	OPEN
PATTERN 2				PATTERN 5			
RECEIVER		ITA		RECEIVER		ITA	
PIN A	PIN C	SCREW A	SCREW C	PIN A	PIN C	SCREW A	SCREW C
INSTALLED	OPEN	OPEN	INSTALLED	OPEN	INSTALLED	INSTALLED	OPEN
PIN B	PIN D	SCREW B	SCREW D	PIN B	PIN D	SCREW B	SCREW D
INSTALLED	OPEN	OPEN	INSTALLED	INSTALLED	OPEN	OPEN	INSTALLED
PATTERN 3				PATTERN 6			
RECEIVER		ITA		RECEIVER		ITA	
PIN A	PIN C	SCREW A	SCREW C	PIN A	PIN C	SCREW A	SCREW C
INSTALLED	OPEN	OPEN	INSTALLED	OPEN	OPEN	INSTALLED	INSTALLED
PIN B	PIN D	SCREW B	SCREW D	PIN B	PIN D	SCREW B	SCREW D
OPEN	INSTALLED	INSTALLED	OPEN	INSTALLED	INSTALLED	OPEN	OPEN

3 INCLUDED MOUNTING HARDWARE: (4) 6-32 X .375 SOCKET HEAD CAP SCREWS AND (4) #6 WASHERS.
 2 IF KEYING IS REQUIRED USE VPC KEYING KIT PART NUMBER 310118112.

NOTES:

MATING ITA	PROTECTIVE COVER	VERTICAL HINGED MOUNTING FRAME
410104273 410104118	310113158	310113341

CUSTOMER DRAWING - CUSTOMER DRAWING		CONTRACT NO.		SIGNATURES		DATE	VIRGINIA PANEL CORPORATION		WWW.VPC.COM	
DIMENSIONS ARE SHOWN AS:		(millimeters)		CHK		2/9/04	G6 RECEIVER			
REMOVE BURRS, BREAK SHARP EDGES.		ENG		PROD						
MATERIAL		Q A		ASSY						
FINISH		APPD		SIZE		FSCM NO.	DWG NO.	REV		
				D 18117		310104318	310104318	V		
				SCALE: 1:1		310104318	2/9/04	SHEET 1 OF 1		

8

7

6

5

4

3

2

1