

8

7

6

5

4

3

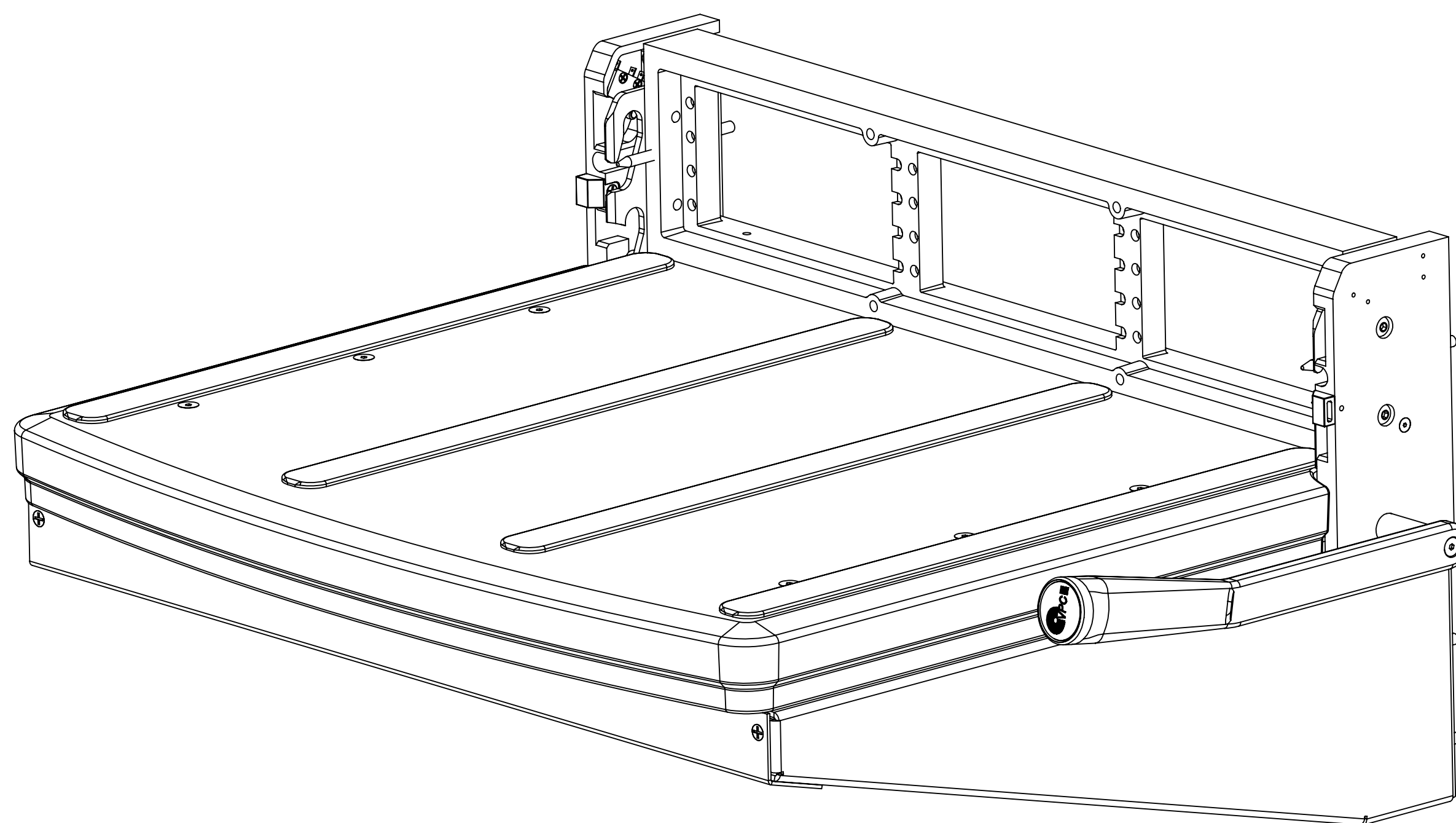
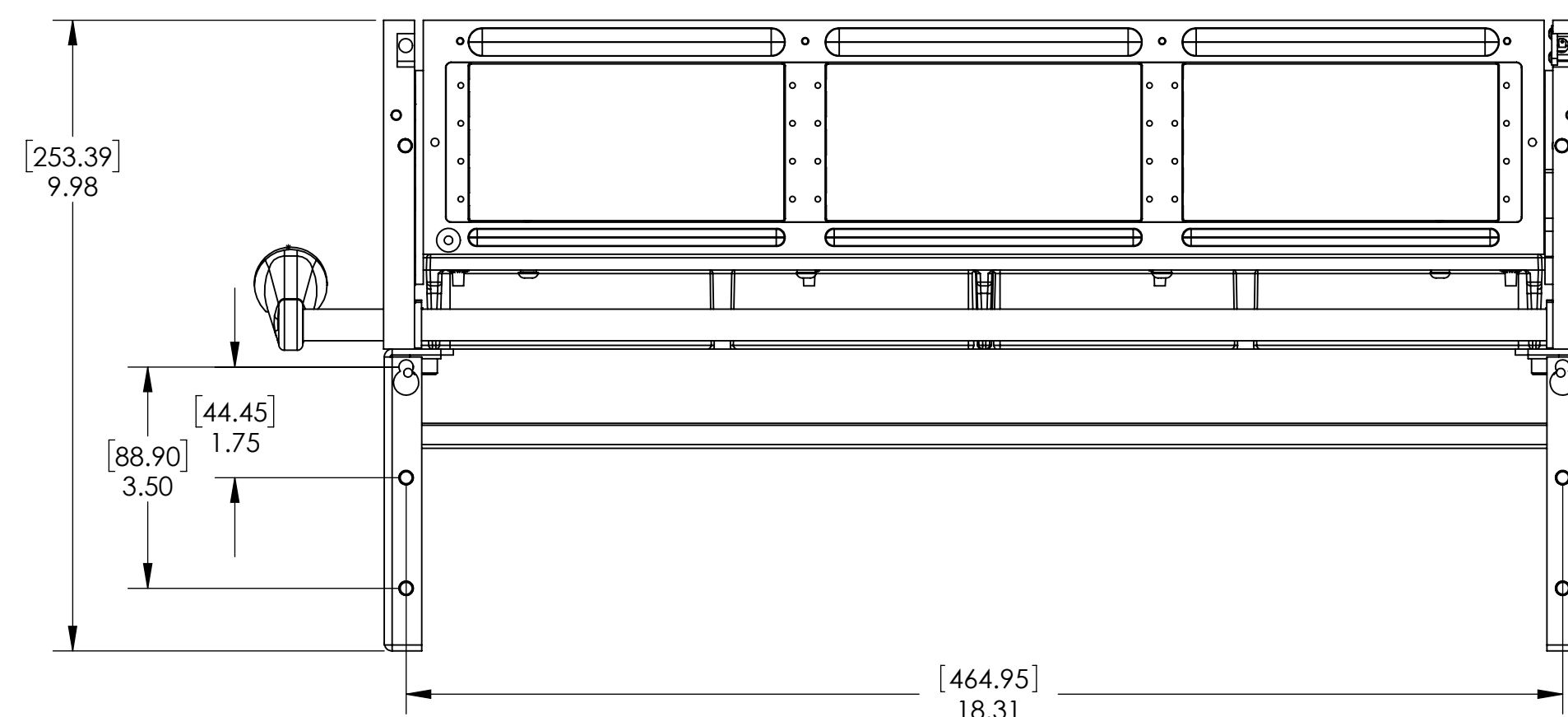
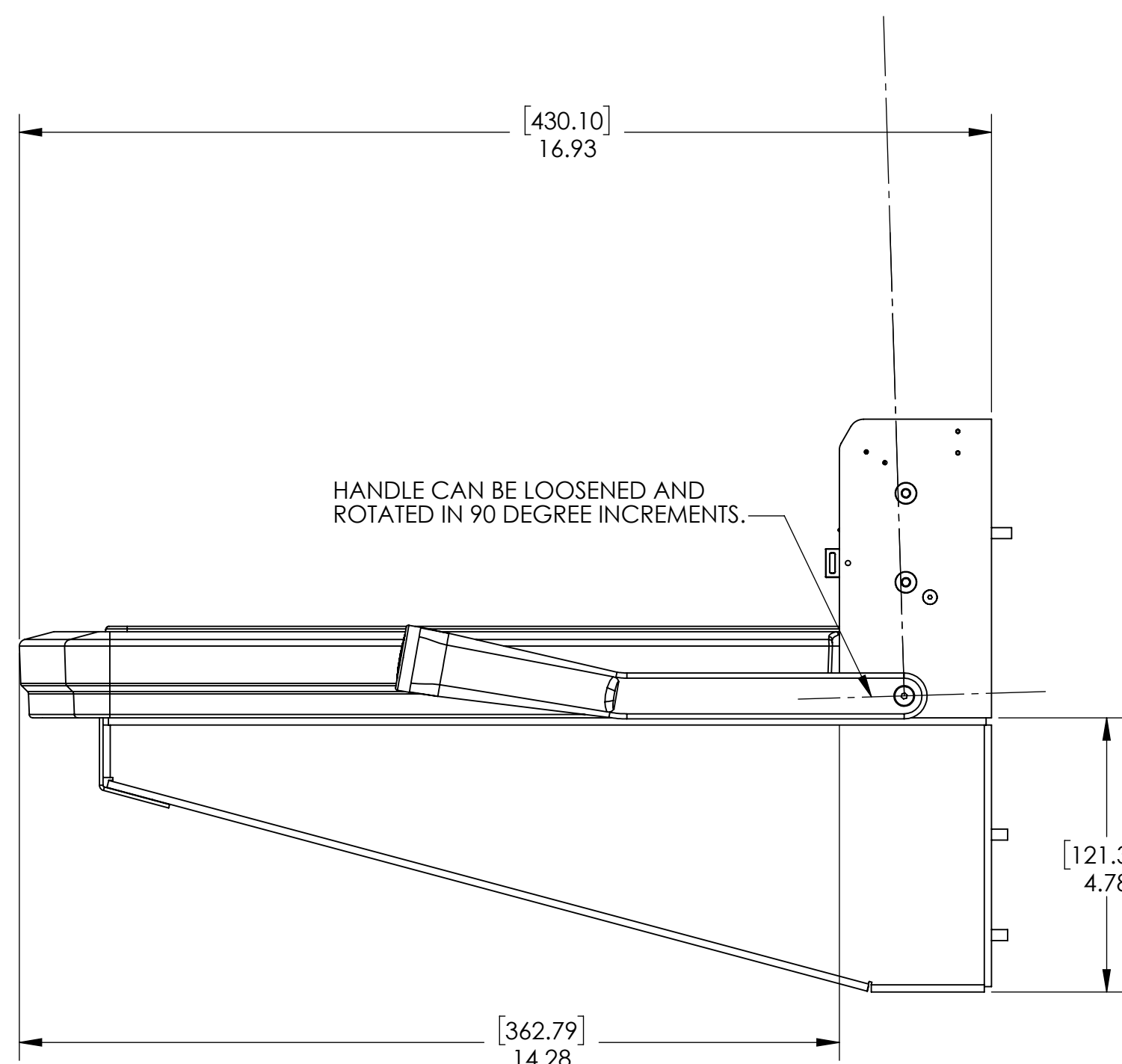
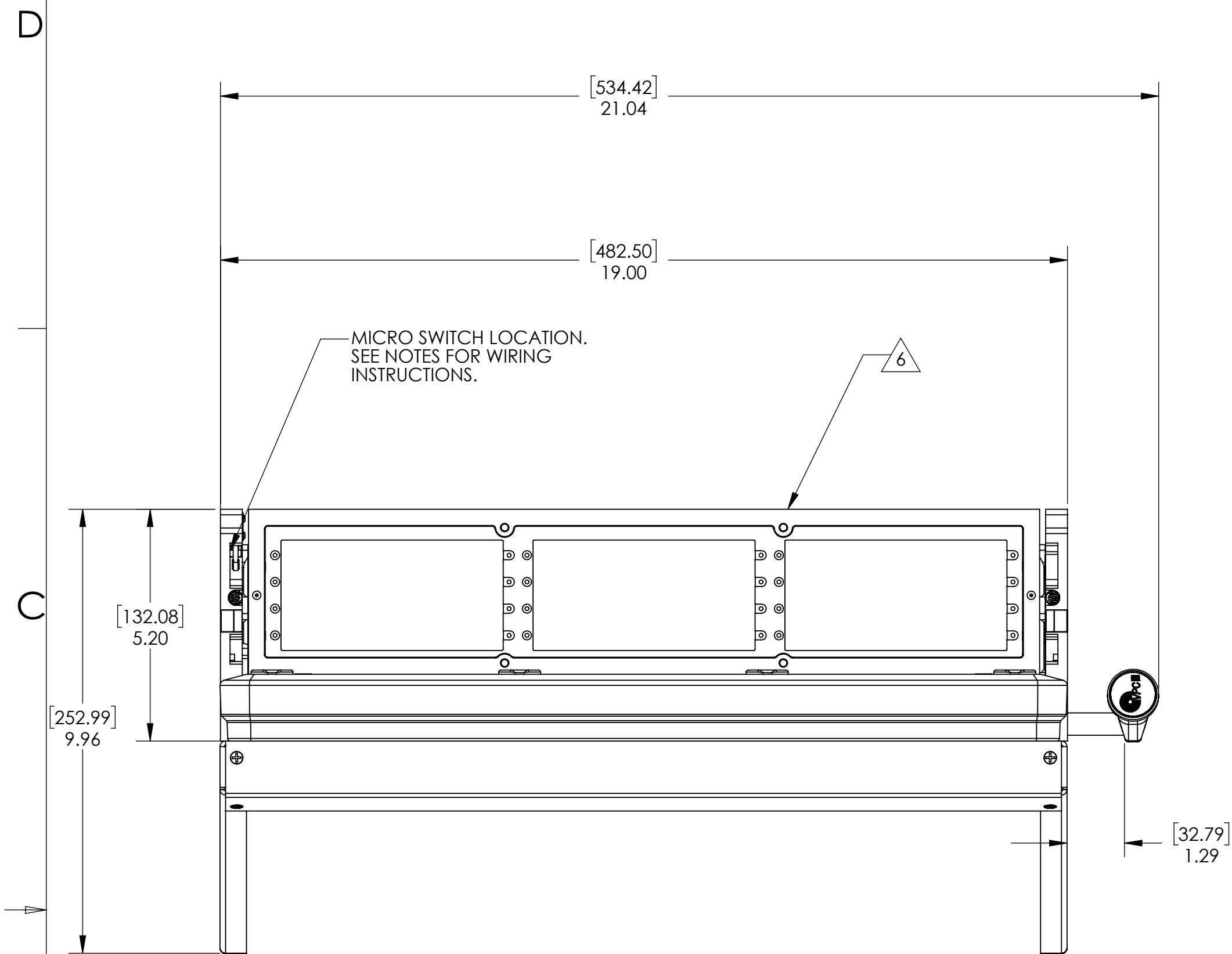
2

1

DO NOT SCALE DRAWING

THE INFORMATION CONTAINED HEREIN IS THE EXCLUSIVE PROPERTY OF VIRGINIA PANEL CORP. AND IS SUBMITTED FOR USE BY THE CUSTOMER ONLY. THE DATA SHALL NOT BE DUPLICATED, USED, OR DISCLOSED IN WHOLE OR IN PART FOR ANY PURPOSE OTHER THAN TO MAINTAIN THE EQUIPMENT PROVIDED.

REVISIONS				
ZONE	REV	DESCRIPTION	DATE	ENGINEER
	Z	ECN #15171	8/18/25	M ECKERT



KEYING PLUG LOCATIONS							
PATTERN 1				PATTERN 4			
RECIEVER		ITA		RECIEVER		ITA	
PIN A	PIN C	SCREW A	SCREW C	PIN A	PIN C	SCREW A	SCREW C
INSTALLED	INSTALLED	OPEN	OPEN	OPEN	OPEN	INSTALLED	INSTALLED
PIN B	PIN D	SCREW B	SCREW D	PIN B	PIN D	SCREW B	SCREW D
OPEN	OPEN	INSTALLED	INSTALLED	INSTALLED	INSTALLED	OPEN	OPEN
PATTERN 2				PATTERN 5			
RECIEVER		ITA		RECIEVER		ITA	
PIN A	PIN C	SCREW A	SCREW C	PIN A	PIN C	SCREW A	SCREW C
INSTALLED	OPEN	OPEN	INSTALLED	OPEN	INSTALLED	OPEN	OPEN
PIN B	PIN D	SCREW B	SCREW D	PIN B	PIN D	SCREW B	SCREW D
INSTALLED	OPEN	OPEN	INSTALLED	INSTALLED	OPEN	OPEN	INSTALLED
PATTERN 3				PATTERN 6			
RECIEVER		ITA		RECIEVER		ITA	
PIN A	PIN C	SCREW A	SCREW C	PIN A	PIN C	SCREW A	SCREW C
OPEN	INSTALLED	INSTALLED	OPEN	INSTALLED	OPEN	OPEN	INSTALLED
PIN B	PIN D	SCREW B	SCREW D	PIN B	PIN D	SCREW B	SCREW D
OPEN	INSTALLED	INSTALLED	OPEN	OPEN	INSTALLED	INSTALLED	OPEN

CUSTOMER DRAWING - CUSTOMER DRAWING								
SOLIDWORKS DRAWING FILE	DIMENSIONS ARE SHOWN AS:		CONTRACT NO.		SIGNATURES			DATE
	[millimeters]				DR E. HUBBARD		5/5/04	
	INCHES				CHK R. HERRON		5/5/04	
					ENG E. HUBBARD		5/5/04	
					PROD			
MATERIAL				ASSY				
FINISH				Q A				
				APPD				
VIRGINIA PANEL CORPORATION				WWW.VPC.COM				
RECEIVER, G12, 12 MODULE				FIXED RACK WITH 15" PLATFORM				
SIZE	FSCM NO.	DWG NO.	REV					
D	18117	310104338	Z					
SCALE: 1:4		SHEET 1 OF 1						

7. GREEN 8-32 HEX HEAD SCREW & LOCK WASHER INCLUDED FOR OPTIONAL GROUND LOCATION TERMINATION.
6. IF KEYING IS REQUIRED USE VPC KEYING KIT PART NUMBER 310118112. SEE TABLE FOR KEYING OPTIONS.
5. SOME ASSEMBLY REQUIRED.
4. WEIGHT: APROXIMATELY 20 POUNDS. ALUMINUM AND STEEL.
3. FOR DEEPER RACKS USE P/N 310113413, 1.5" RECEIVER EXTENSION KIT.
2. MICROSWITCH WIRES NOT SHOWN. COLOR CODE AS FOLLOWS:  
 RED- NC  
 WHITE- NO  
 BLACK- COMMON
1. FOR APPLICATION, USE & CARE INFORMATION CONSULT VPC USERS GUIDE @WWW.VPC.COM.

NOTES:

8

7

6

5

4

3

2

1