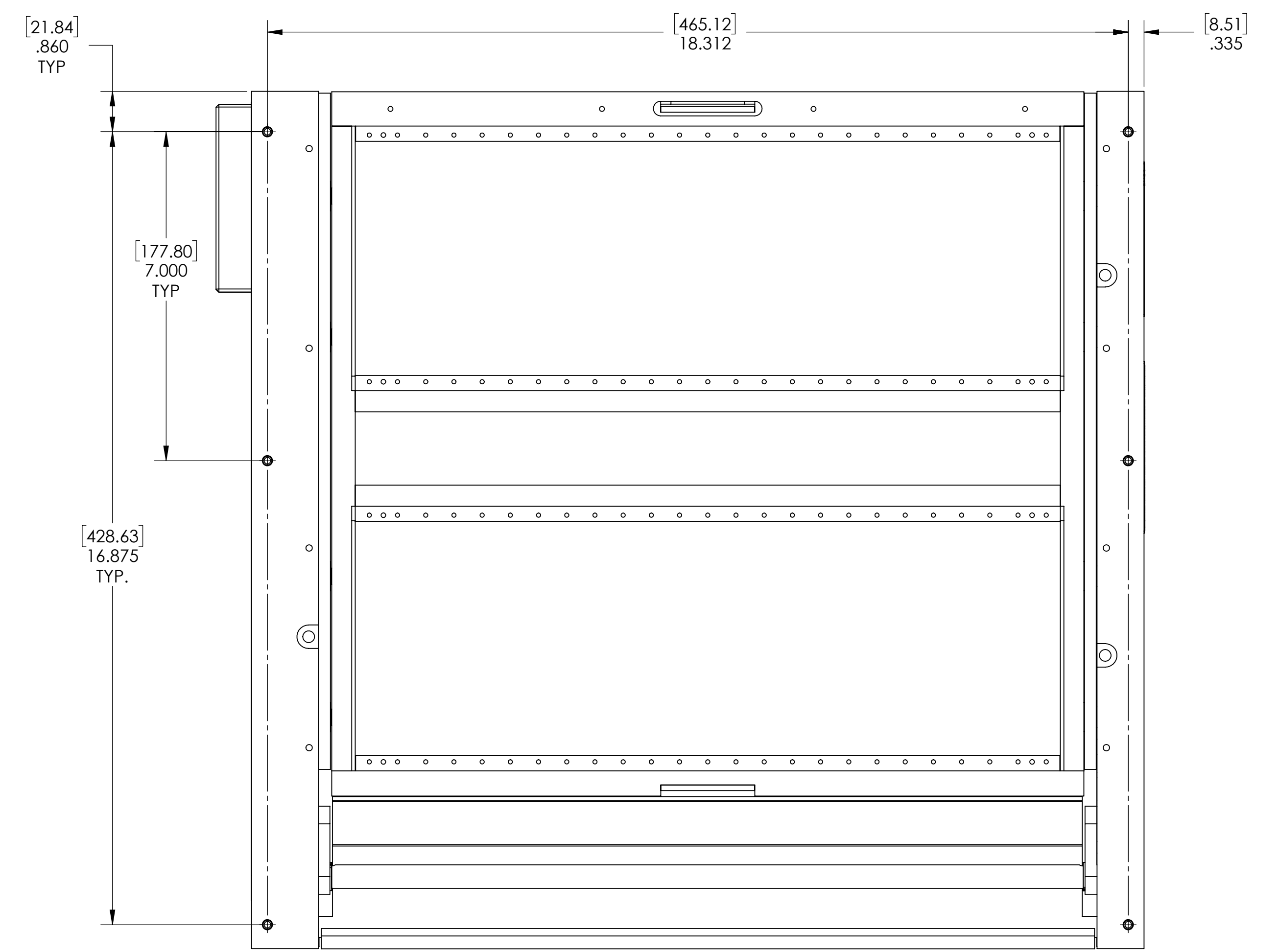
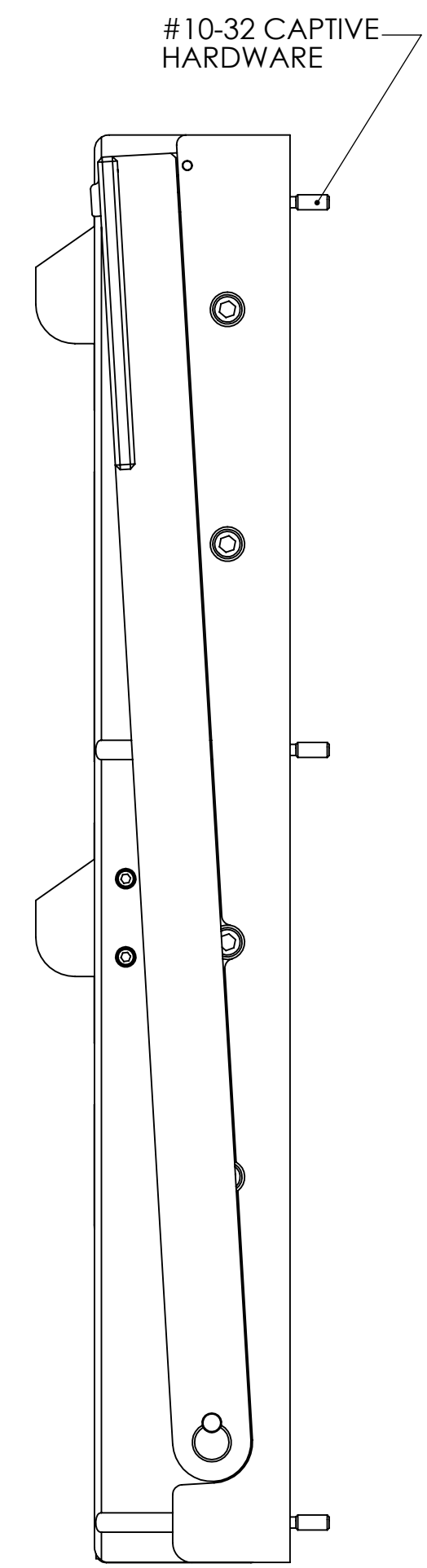
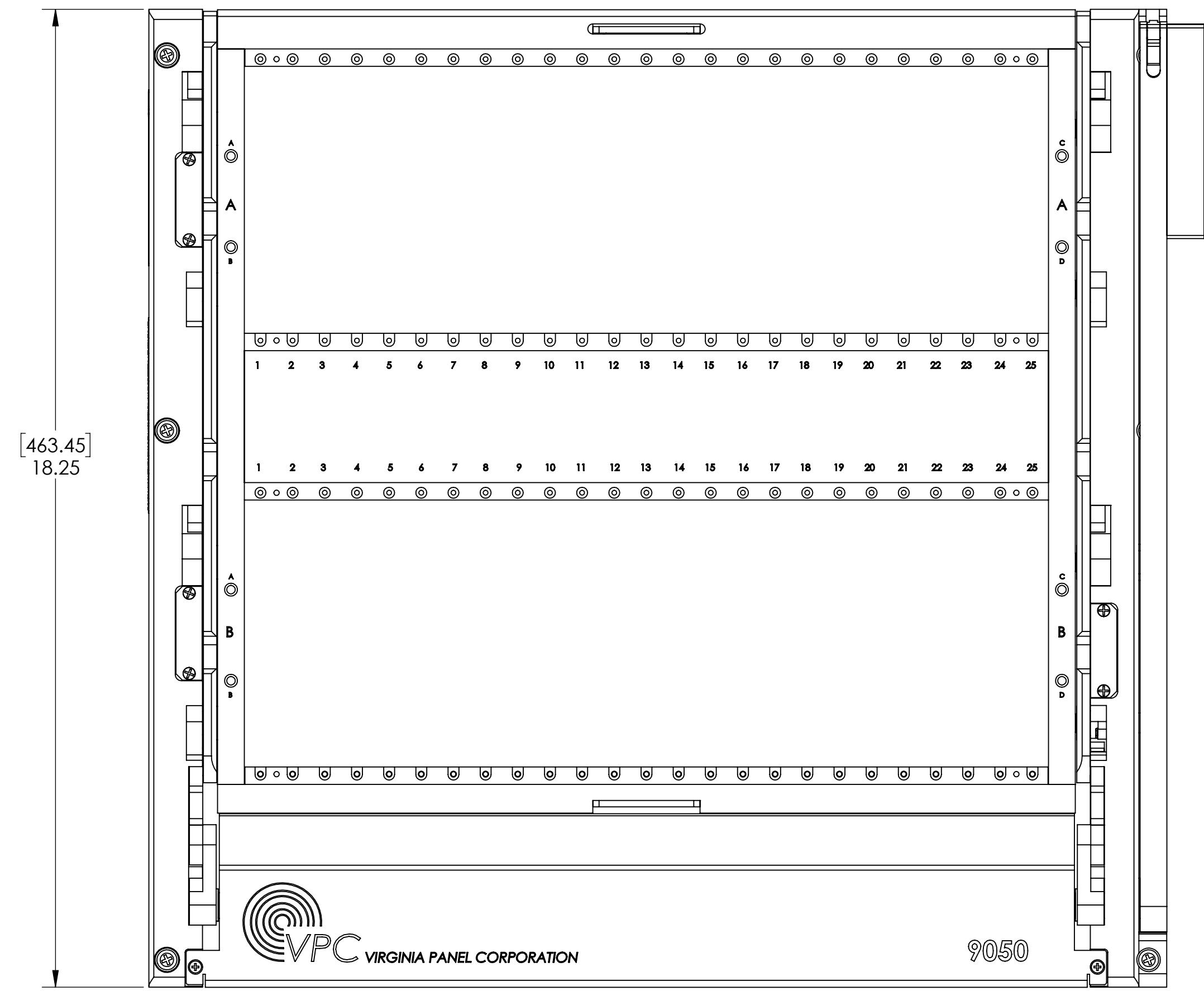
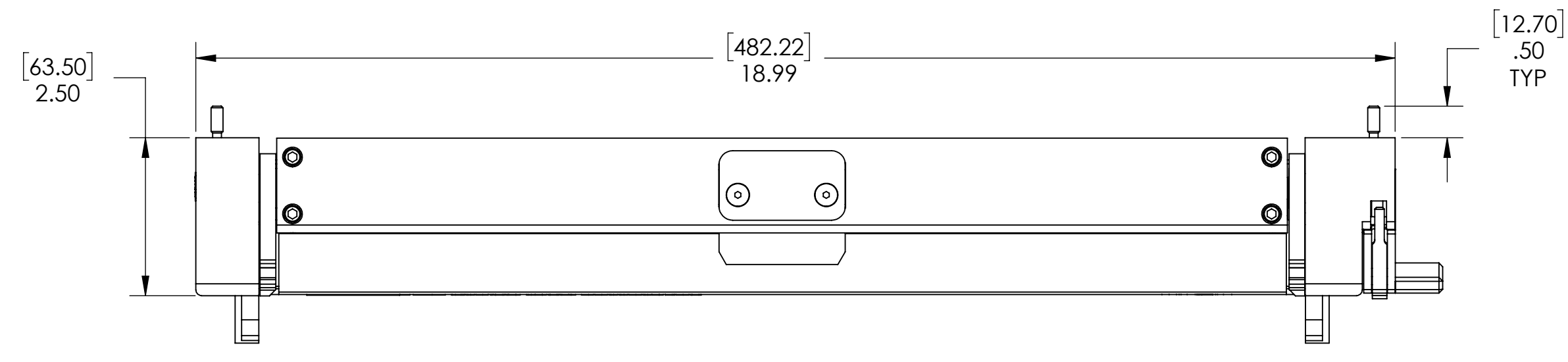


8 7 6 5 4 3 2 1

DO NOT SCALE DRAWING

THE INFORMATION CONTAINED HEREIN IS THE EXCLUSIVE PROPERTY OF VIRGINIA PANEL CORPORATION AND IS SUBMITTED FOR USE BY THE CUSTOMER ONLY. THE DATA SHALL NOT BE DUPLICATED, USED OR DISCLOSED IN WHOLE OR IN PART FOR ANY PURPOSE OTHER THAN TO MAINTAIN THE EQUIPMENT PROVIDED. CONSULT WITH VIRGINIA PANEL CORPORATION ENGINEERING IF MORE DETAIL IS REQUIRED.

REVISIONS			
REV	DESCRIPTION	DATE	ENGR
J	ECN #9180	6/14/2019	R GARMAN



- NOTES:
- 2. ALL MICROSWITCHES SHALL BE WIRED AS FOLLOWS; RED - N.C., WHITE - N.O. AND BLACK - COM.
 - 1. FOR APPLICATION USE AND CARE INFORMATION CONSULT VPC USERS GUIDE @ WWW.VPC.COM

CUSTOMER DRAWING

VIRGINIA PANEL CORPORATION
WWW.VPC.COM

RECEIVER, 9050 RACK MOUNT

RELATIVE CONNECTOR POSITIONS AND WIRE ROUTING ARE GENERIC AND MAY VARY WITH PRODUCT.	SIZE	CAGE CODE	DWG. NO.	REV
DIMENSIONS ARE SHOWN AS:	D	18117	310104368	J
[MILLIMETERS]	SCALE: 1:2	310104368	2/22/08	SHEET 1 OF 1
INCHES				

8 7 6 5 4 3 2 1