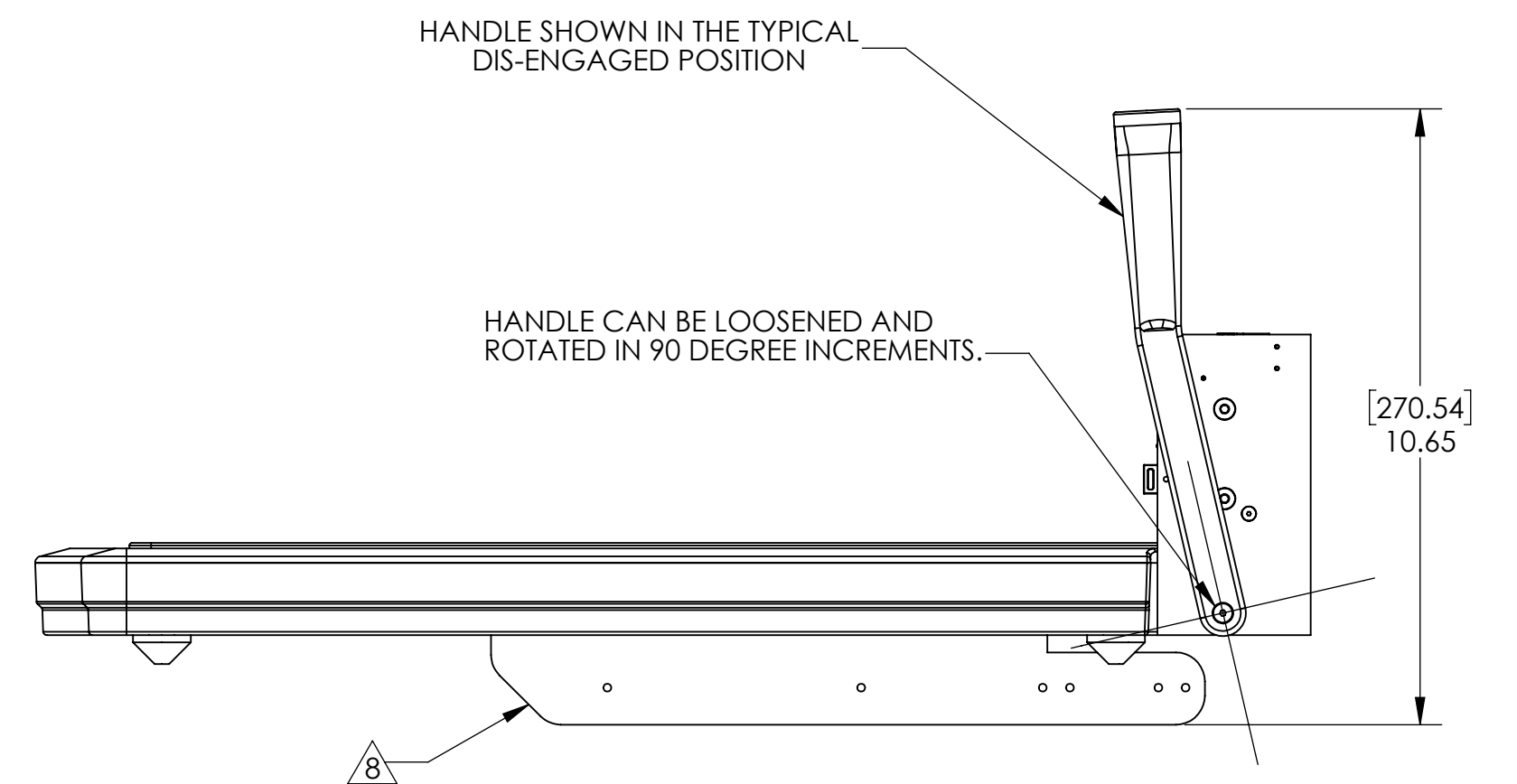
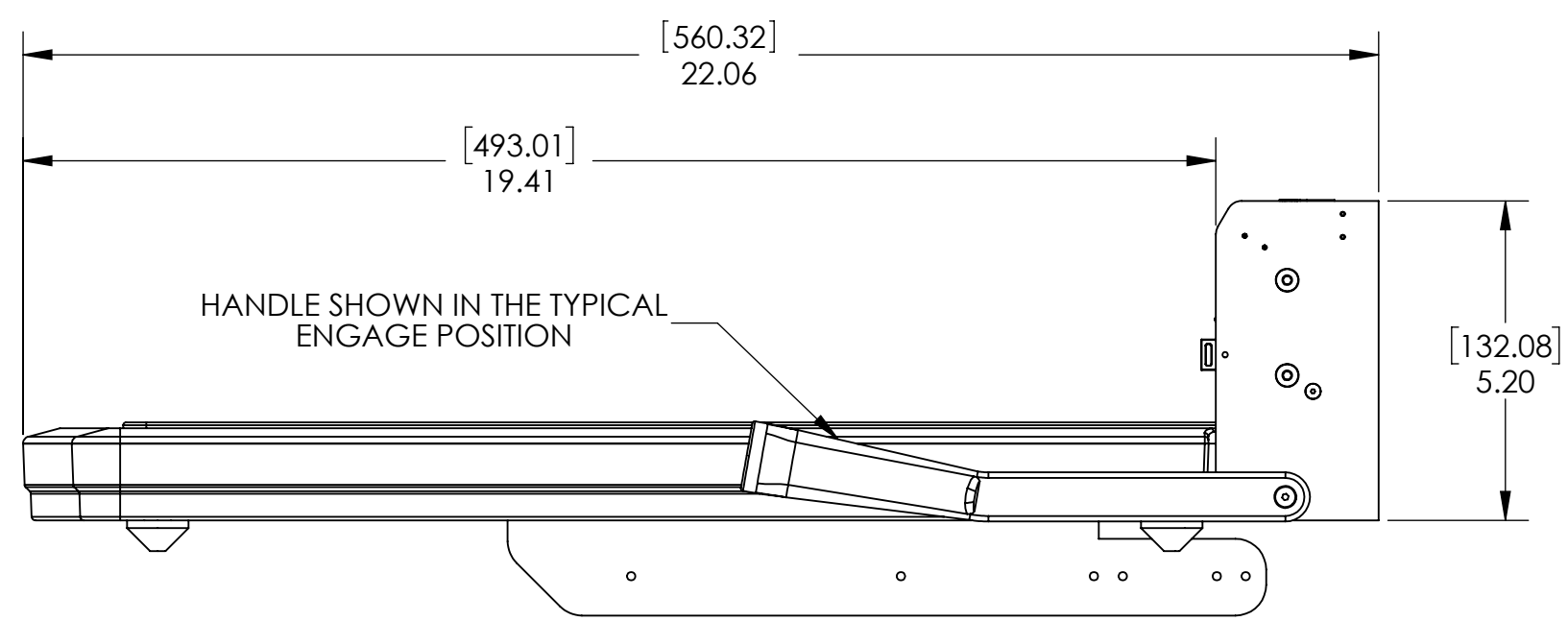
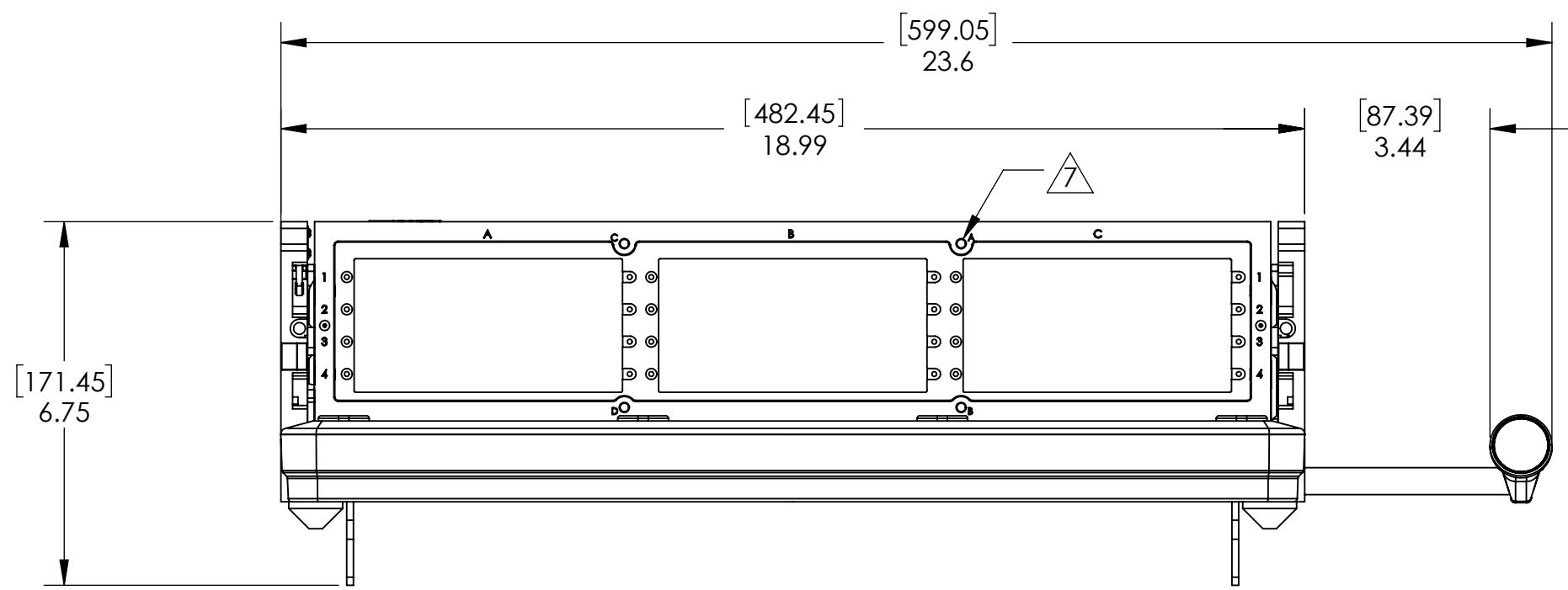
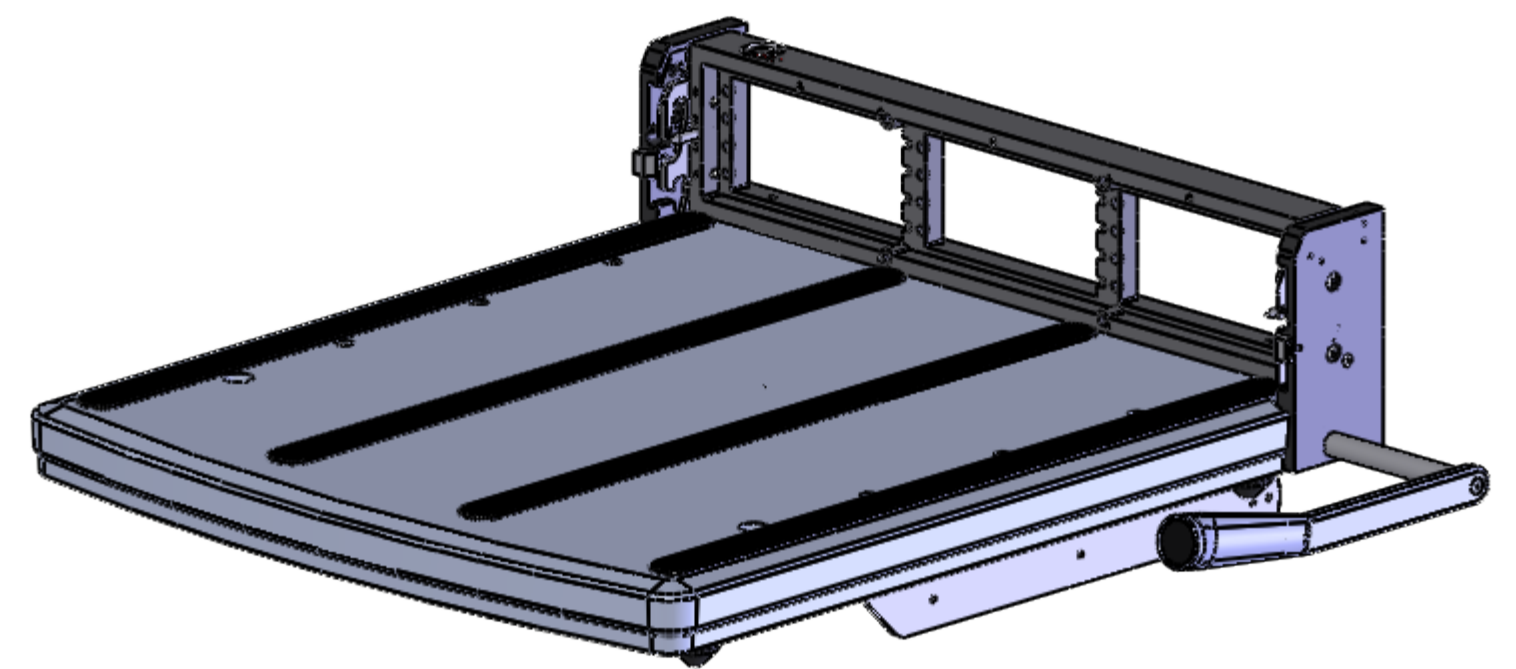
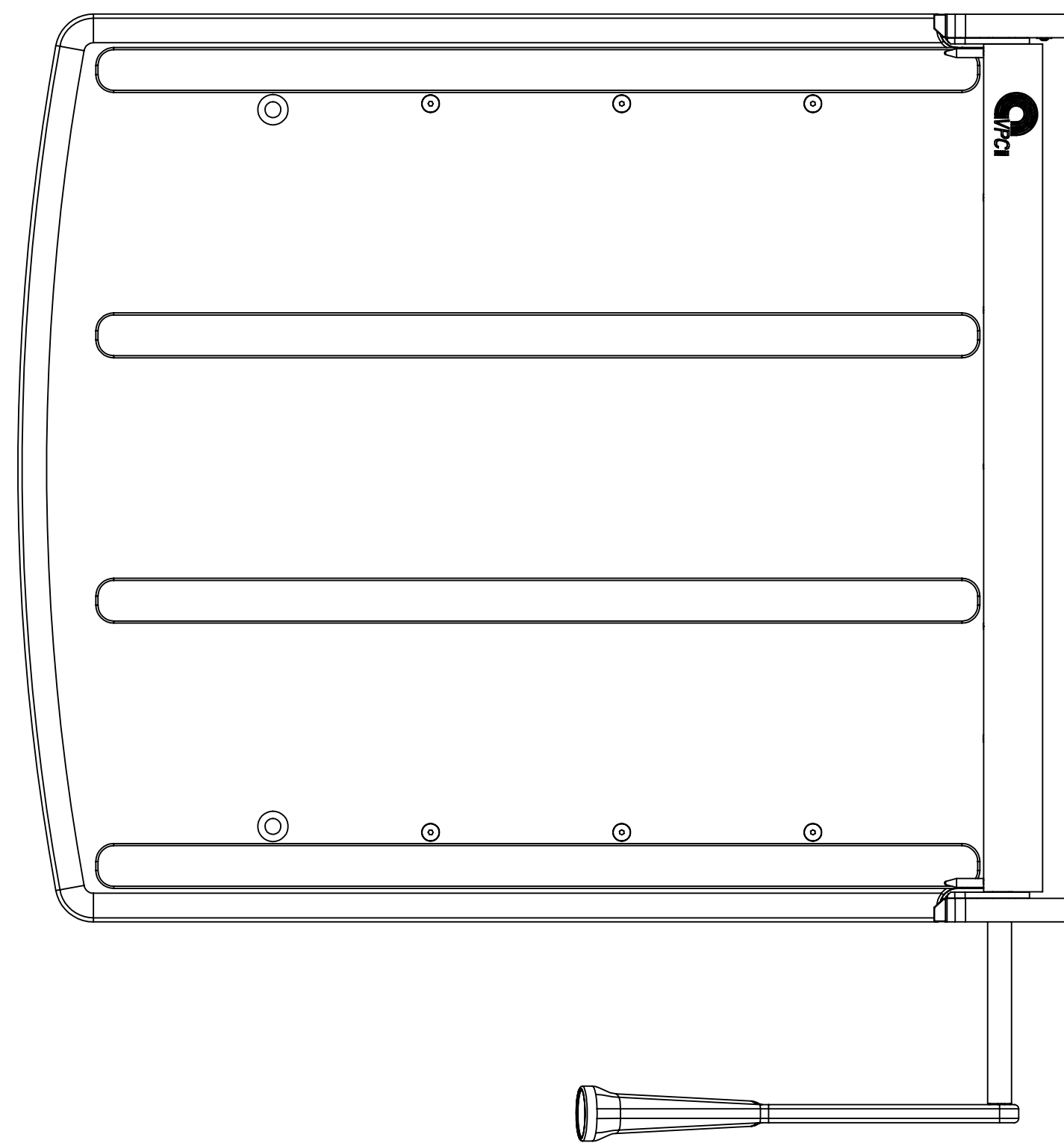


DO NOT SCALE DRAWING

THE INFORMATION CONTAINED HEREIN IS THE EXCLUSIVE PROPERTY OF VIRGINIA PANEL CORPORATION AND IS SUBMITTED FOR USE BY THE CUSTOMER ONLY. THE DATA SHALL NOT BE DUPLICATED, USED OR DISCLOSED IN WHOLE OR IN PART FOR ANY PURPOSE OTHER THAN TO MAINTAIN THE EQUIPMENT PROVIDED. CONSULT WITH VIRGINIA PANEL CORPORATION ENGINEERING IF MORE DETAIL IS REQUIRED.

REVISIONS			
REV	DESCRIPTION	DATE	ENGR
E	ECN #12743	8/1/22	M ECKERT

KEYING PLUG LOCATIONS							
PATTERN 1				PATTERN 4			
RECEIVER		ITA		RECEIVER		ITA	
PIN A INSTALLED	PIN C INSTALLED	SCREW A OPEN	SCREW C OPEN	PIN A OPEN	PIN C OPEN	SCREW A INSTALLED	SCREW C INSTALLED
PIN B OPEN	PIN D OPEN	SCREW B INSTALLED	SCREW D INSTALLED	PIN B INSTALLED	PIN D INSTALLED	SCREW B OPEN	SCREW D OPEN
PATTERN 2				PATTERN 5			
RECEIVER		ITA		RECEIVER		ITA	
PIN A INSTALLED	PIN C OPEN	SCREW A OPEN	SCREW C INSTALLED	PIN A OPEN	PIN C INSTALLED	SCREW A INSTALLED	SCREW C OPEN
PIN B INSTALLED	PIN D OPEN	SCREW B OPEN	SCREW D INSTALLED	PIN B INSTALLED	PIN D OPEN	SCREW B OPEN	SCREW D INSTALLED
PATTERN 3				PATTERN 6			
RECEIVER		ITA		RECEIVER		ITA	
PIN A OPEN	PIN C INSTALLED	SCREW A INSTALLED	SCREW C OPEN	PIN A INSTALLED	PIN C OPEN	SCREW A OPEN	SCREW C INSTALLED
PIN B OPEN	PIN D INSTALLED	SCREW B INSTALLED	SCREW D OPEN	PIN B OPEN	PIN D INSTALLED	SCREW B INSTALLED	SCREW D OPEN



8 SLIDE MOUNTING BRACKET INCLUDED WITH RECEIVER ASSEMBLY.

9 IF KEYING IS REQUIRED USE VPC KEYING KIT PART NUMBER 310118112. SEE TABLE FOR KEYING OPTIONS.

6. (1) 3/32" BALL END ALLEN WRENCH INCLUDED FOR MODULE MOUNTING.

5. PLATFORM MAY BE SECURED DOWN TO A TABLE WITH 1/4-20 SCREWS.

4. WEIGHT: APPROXIMATELY 20 POUNDS. ALUMINUM AND STEEL.

3. FOR RACK MOUNT APPLICATIONS A SLIDE KIT IS REQUIRED; (2) 10-32 X 1.00" SOCKET HEAD CAP SCREWS INCLUDED TO SECURE RECEIVER TO RACK WHEN NOT IN USE.

2. MICROSWITCH WIRES NOT SHOWN. COLOR CODE AS FOLLOWS:
RED- NC
WHITE- NO
BLACK- COMMON

1. FOR APPLICATION USE AND CARE INFORMATION CONSULT VPC USERS GUIDE @ WWW.VPC.COM

NOTES:

MATING ITA	PROTECTIVE COVER	RACK EXTENDER FOR EURO RACKS
410104322	310113402	310113406

RELATIVE CONNECTOR POSITIONS AND WIRE ROUTING ARE GENERIC AND MAY VARY WITH PRODUCT. DIMENSIONS ARE SHOWN AS: [MILLIMETERS] INCHES

CUSTOMER DRAWING			
VIRGINIA PANEL CORPORATION			
WWW.VPC.COM			
G12 RCV 20" PLF EXT HNDL FOR SLIDE MOUNT			
SIZE	CAGE CODE	DWG NO.	REV
D	18117	310104416	E
SCALE: 1:3	310104416	2/21/12	SHEET 1 OF 1