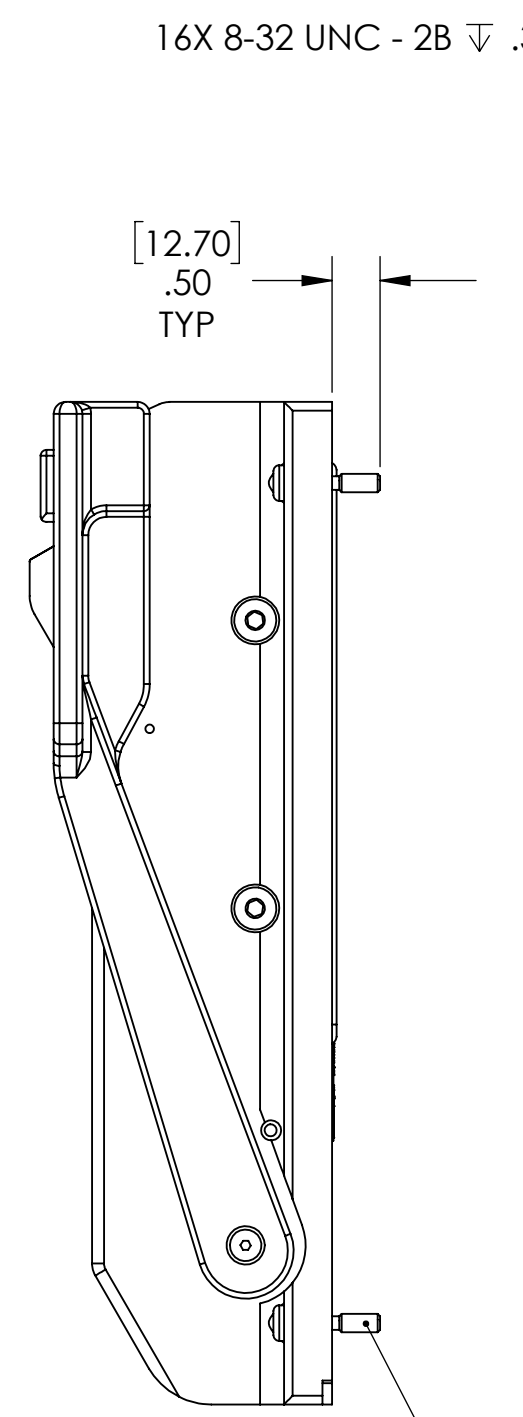
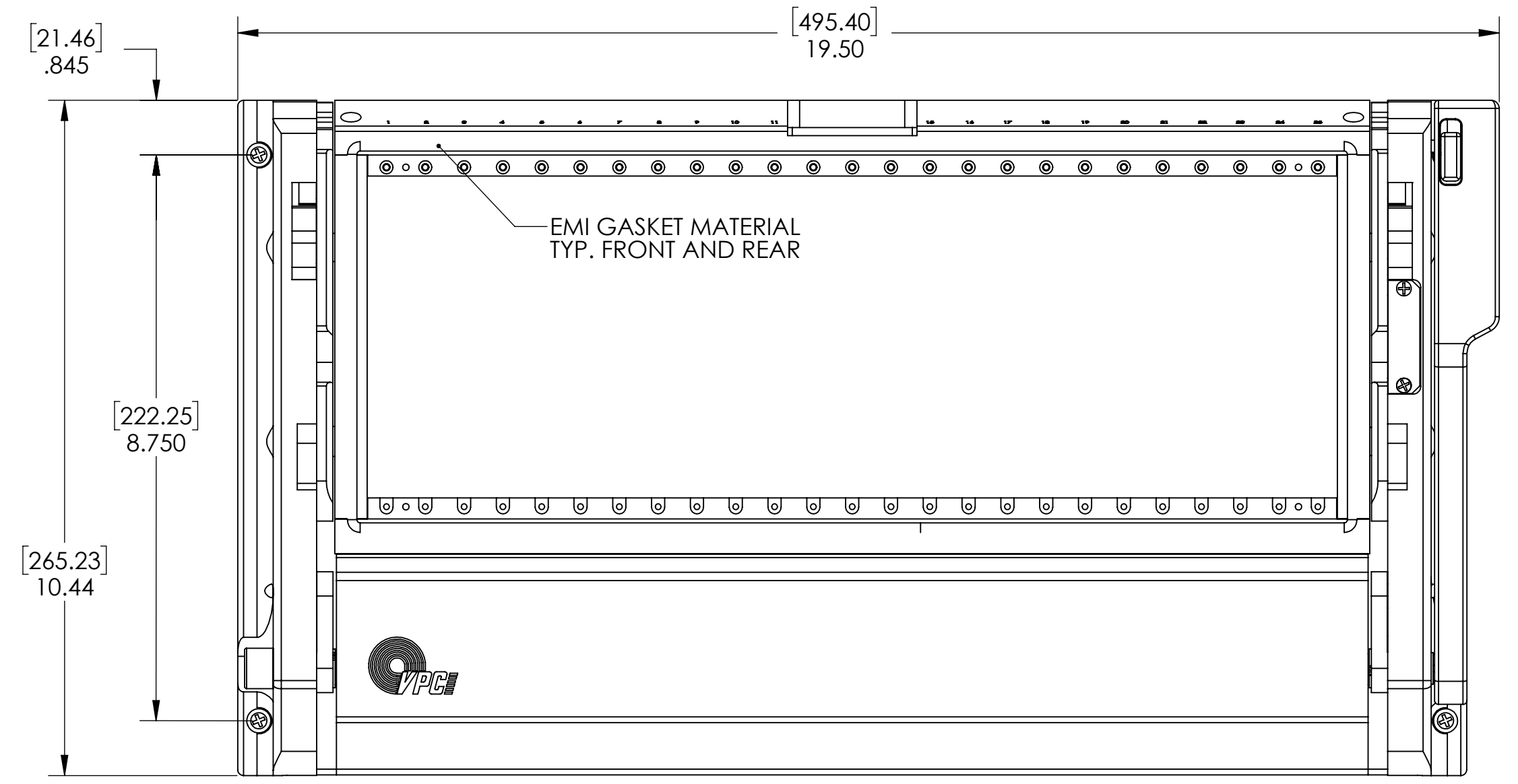
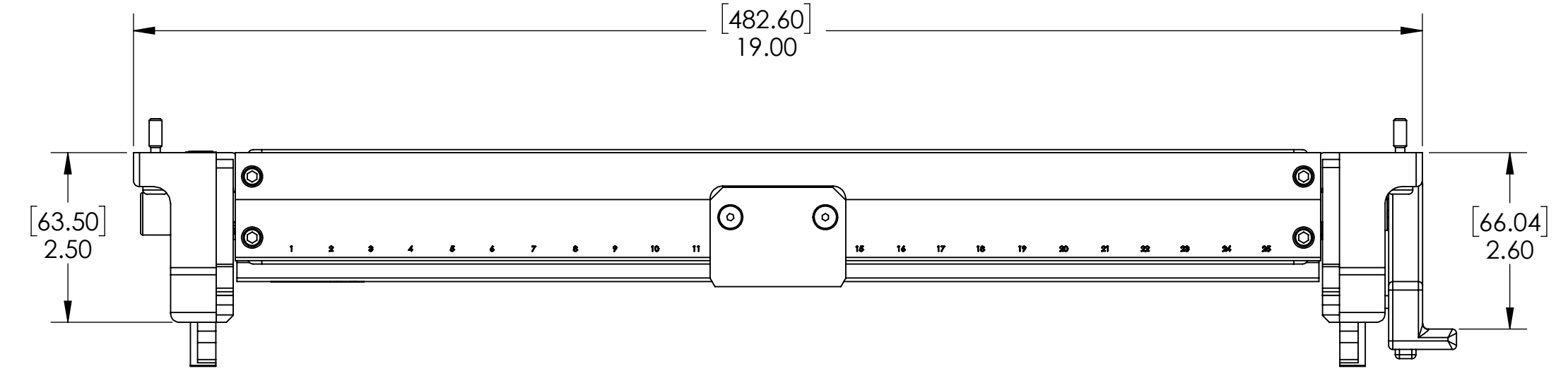


8 7 6 5 4 3 2 1

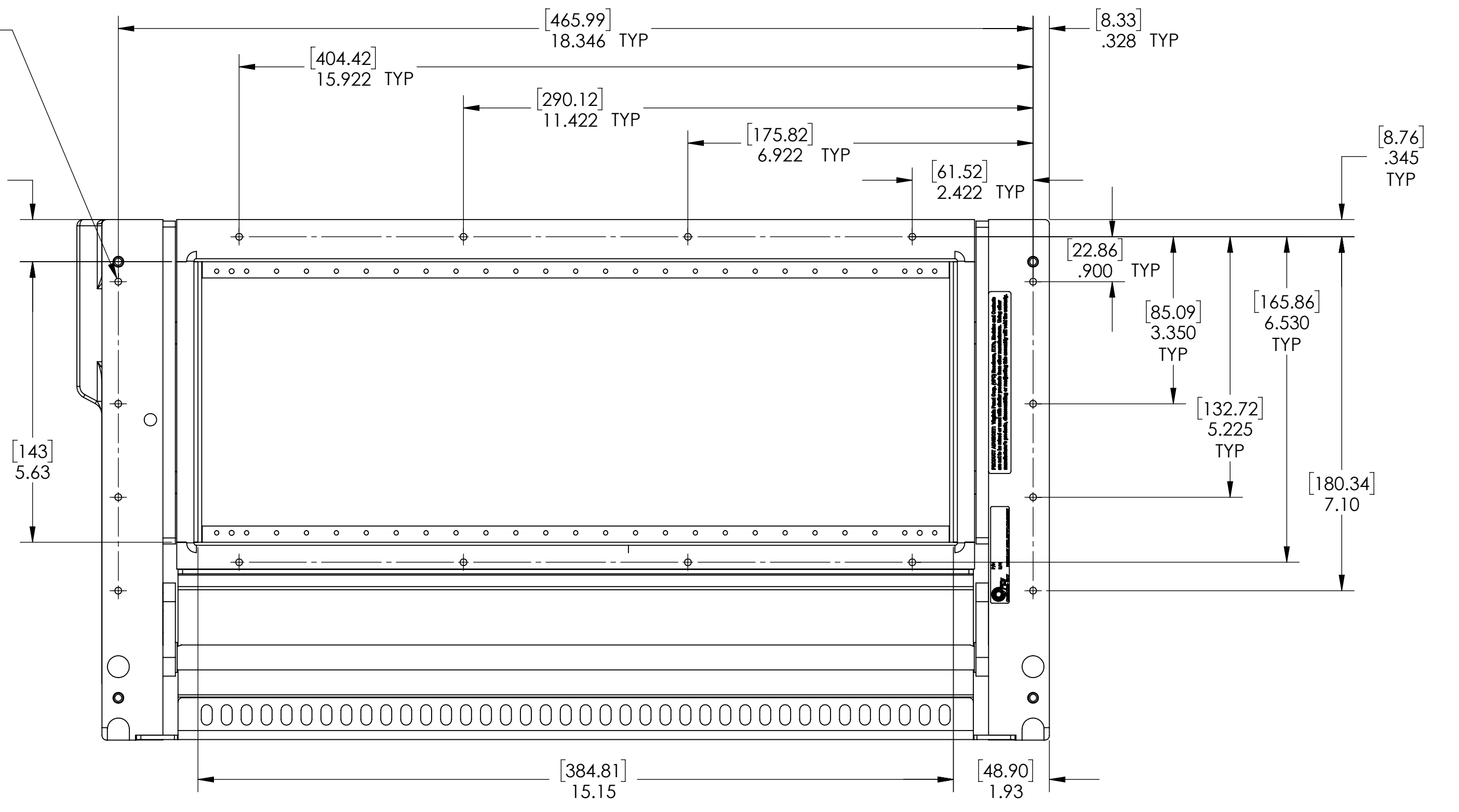
DO NOT SCALE DRAWING

THE INFORMATION CONTAINED HEREIN IS THE EXCLUSIVE PROPERTY OF VPC AND IS PERMITTED FOR USE BY THE CUSTOMER ONLY. THE DATA SHALL NOT BE DUPLICATED, USED, OR DISCLOSED IN WHOLE OR IN PART FOR ANY PURPOSE OTHER THAN TO MAINTAIN THE EQUIPMENT PROVIDED. CONSULT WITH VPC ENGINEERING IF MORE DETAIL IS REQUIRED.

REVISIONS			
REV	DESCRIPTION	DATE	ENGR
H	ECN #12763	8/15/22	M ECKERT



FOUR #10-32 CAPTIVE MOUNTING SCREWS



2. MICROSWITCH WIRING: COM - BLK
 N/O - WHITE
 N/C - RED

1. FOR APPLICATION USE AND CARE INFORMATION CONSULT VPC USERS GUIDE @ WWW.VPC.COM

NOTES:

CUSTOMER DRAWING
VIRGINIA PANEL CORPORATION
 WWW.VPC.COM
RCV 9025 EMI 6U

DIMENSIONS ARE SHOWN AS:	SIZE	CAGE CODE	DWG. NO.	REV
[MILLIMETERS]	D	18117	310104431	H
INCHES	SCALE: 1:1	310104431	8/2/13	SHEET 1 OF 1

8 7 6 5 4 3 2 1