

8

7

6

5

4

3

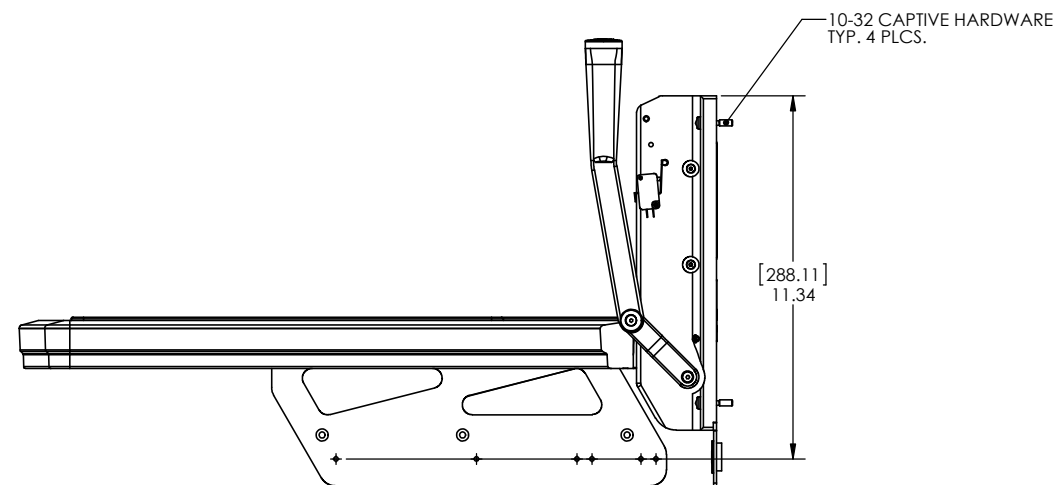
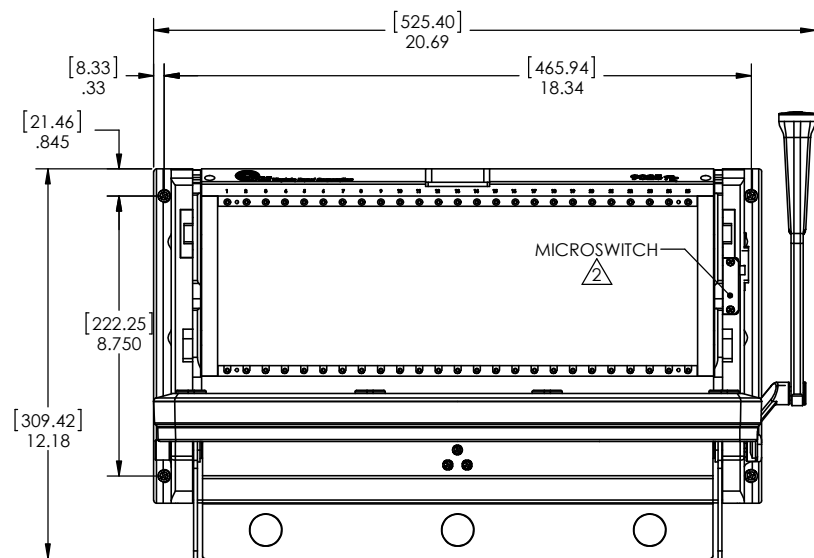
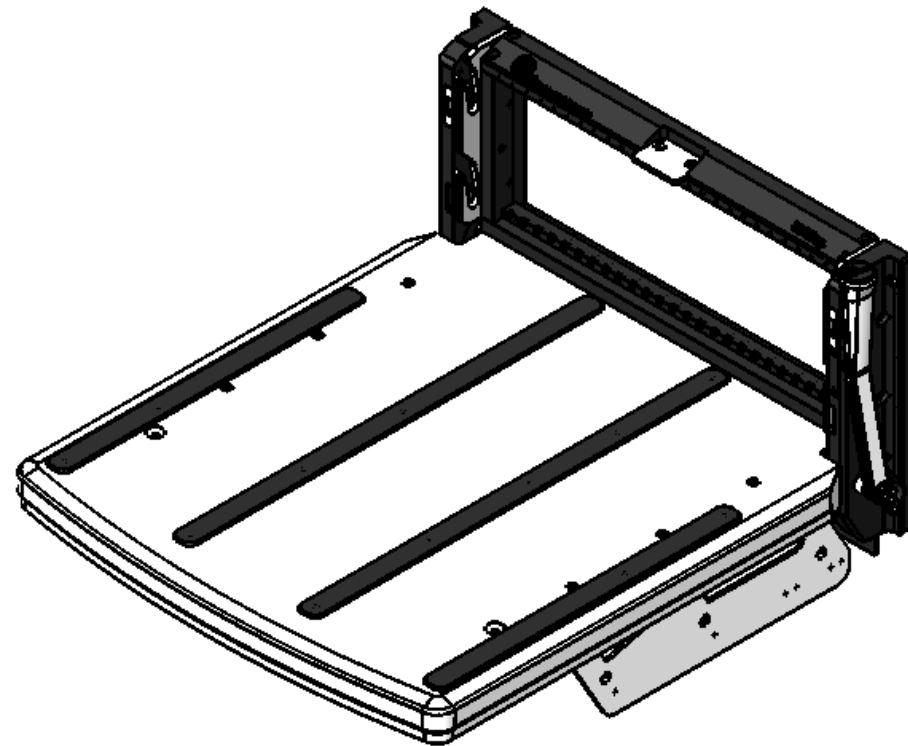
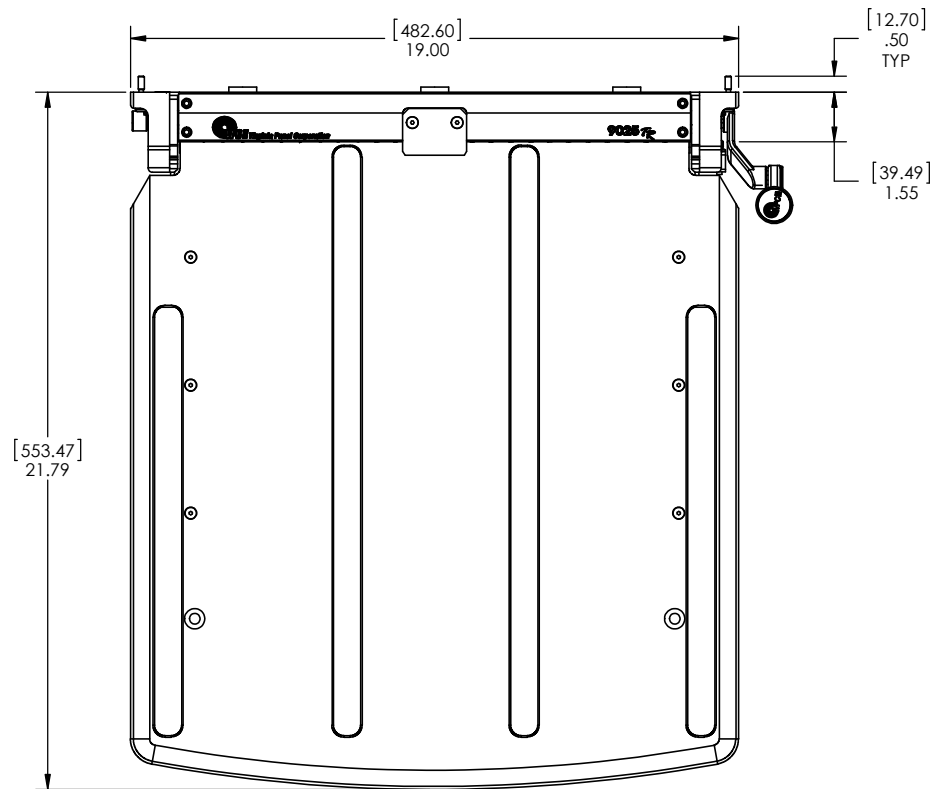
2

1

DO NOT SCALE DRAWING

THE INFORMATION CONTAINED HEREIN IS THE EXCLUSIVE PROPERTY OF VIRGINIA PANEL CORPORATION AND IS SUBMITTED FOR USE BY THE CUSTOMER ONLY. THE DATA SHALL NOT BE DUPLICATED, USED, OR DISCLOSED IN WHOLE OR IN PART FOR ANY PURPOSE OTHER THAN TO MAINTAIN THE EQUIPMENT PROVIDED. CONSULT WITH VIRGINIA PANEL CORPORATION ENGINEERING IF MORE DETAIL IS REQUIRED.

REVISIONS			
REV	DESCRIPTION	DATE	ENGR
B	ECN #5490	9/15/14	J SHAND



4. (1) 3/32" BALL END ALLEN WRENCH INCLUDED FOR MODULE MOUNTING.

3. SLIDE KIT REQUIRED FOR MOUNTING TO 19" RACK.

MICROSWITCH WIRES NOT SHOWN. COLOR CODE AS FOLLOWS:
RED - N.C.
WHITE - N.O.
BLACK - COMMON

1. FOR APPLICATION USE AND CARE INFORMATION CONSULT VPC USERS GUIDE @ WWW.VPC.COM

NOTES:

8

7

6

5

4

3

2

1

CUSTOMER DRAWING

VIRGINIA PANEL CORPORATION

WWW.VPC.COM

RCV 9025TR 20"
FOR SLIDE MOUNT

RELATIVE CONNECTOR POSITIONS AND WIRE ROUTING ARE GENERIC AND MAY VARY WITH PRODUCT	SIZE	CAGE CODE	DWG. NO.	REV
DIMENSIONS ARE SHOWN AS:	D	18117	310104435	B
[MILLIMETERS]	SCALE: 1:1	310104435	4/11/13	SHEET 1 OF 1
INCHES				