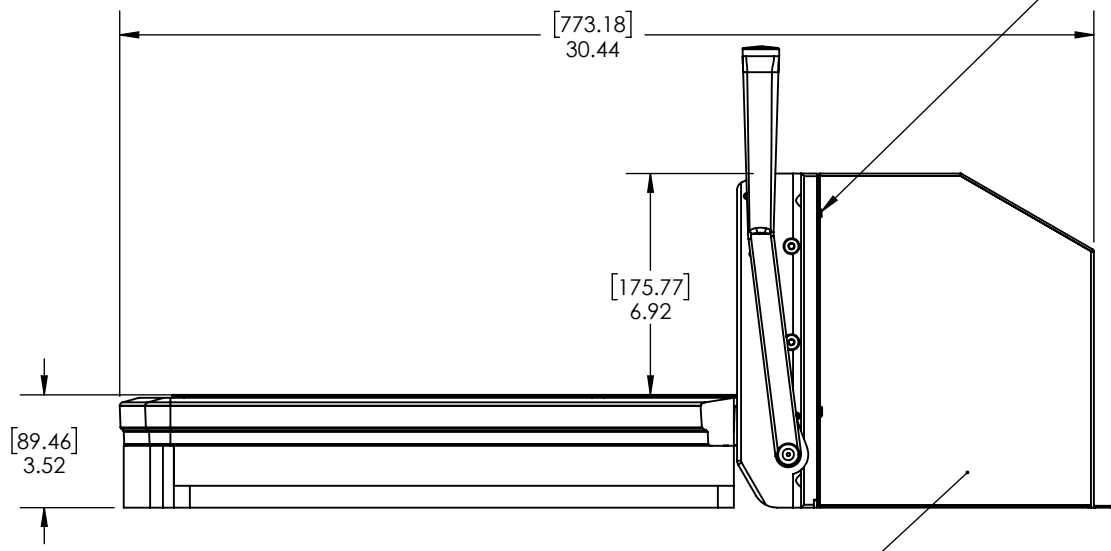
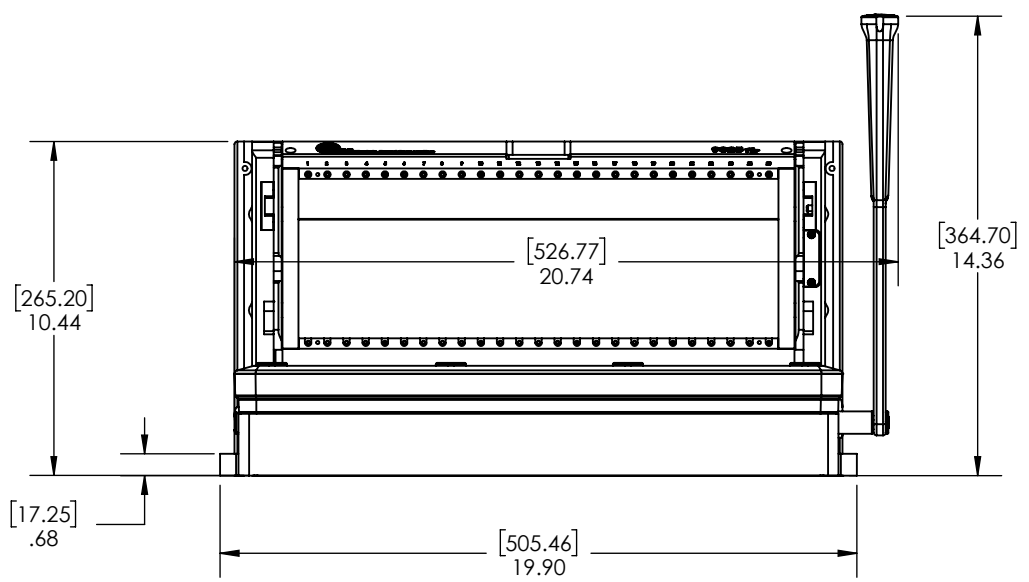
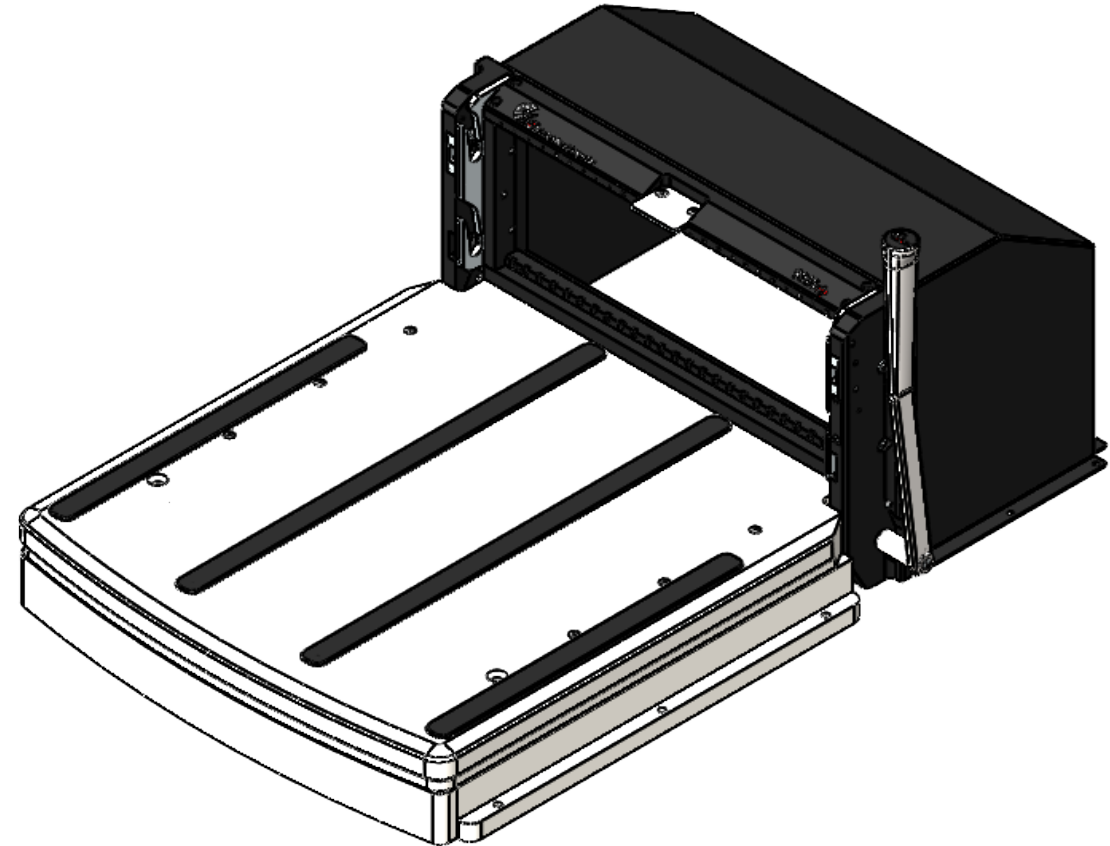
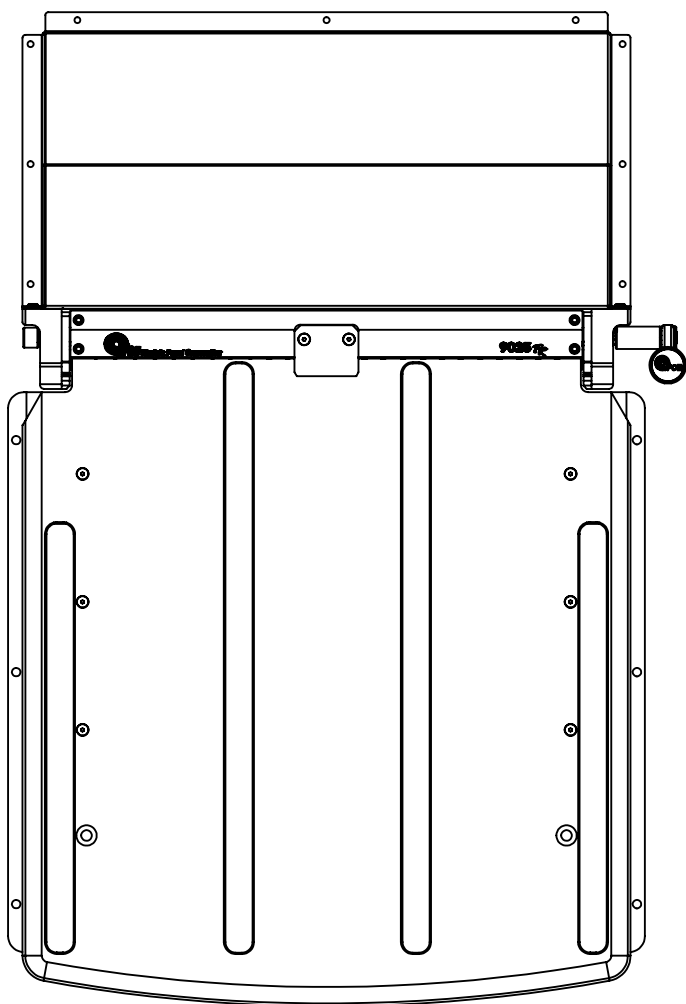


THE INFORMATION CONTAINED HEREIN IS THE EXCLUSIVE PROPERTY OF VIRGINIA PANEL CORPORATION AND IS SUBMITTED FOR USE BY THE CUSTOMER ONLY. THE DATA SHALL NOT BE DUPLICATED, USED, OR DISCLOSED IN WHOLE OR IN PART FOR ANY PURPOSE OTHER THAN TO MAINTAIN THE EQUIPMENT PROVIDED.

REV	DESCRIPTION	DATE	ENGINEER
E	ECN #11160	2/15/21	I COFFEY



8-32 MOUNTING HARDWARE INCLUDES PAN HEAD PHILLIPS SCREW TYP. 4 PLCS.

COVER NOT INSTALLED FOR SHIPMENT.

3. MICROSWITCH WIRES NOT SHOWN. COLOR CODE AS FOLLOWS:
 RED - N.C.
 WHITE - N.O.
 BLACK - COMMON

2. ATTACH REAR COVER USING MOUNTING HARDWARE AS SHOWN.

1. FOR APPLICATION USE AND CARE INFORMATION CONSULT VPC USERS GUIDE @ WWW.VPC.COM
 NOTES:

MATING ITA 410104111	PROTECTIVE COVER 310113163
-------------------------	-------------------------------

RELATIVE CONNECTOR POSITIONS AND WIRE ROUTING ARE GENERIC AND MAY VARY WITH PINOUT
 DIMENSIONS ARE SHOWN AS:
 [MILLIMETERS]
 INCHES

CUSTOMER DRAWING

**RCV 9025TR TBL
TOP W/20" PLT**

DWG. NO. 310104436	REV E
SCALE 1:6	CAGE CODE 18117
SHEET 1 OF 2	

4

3

2

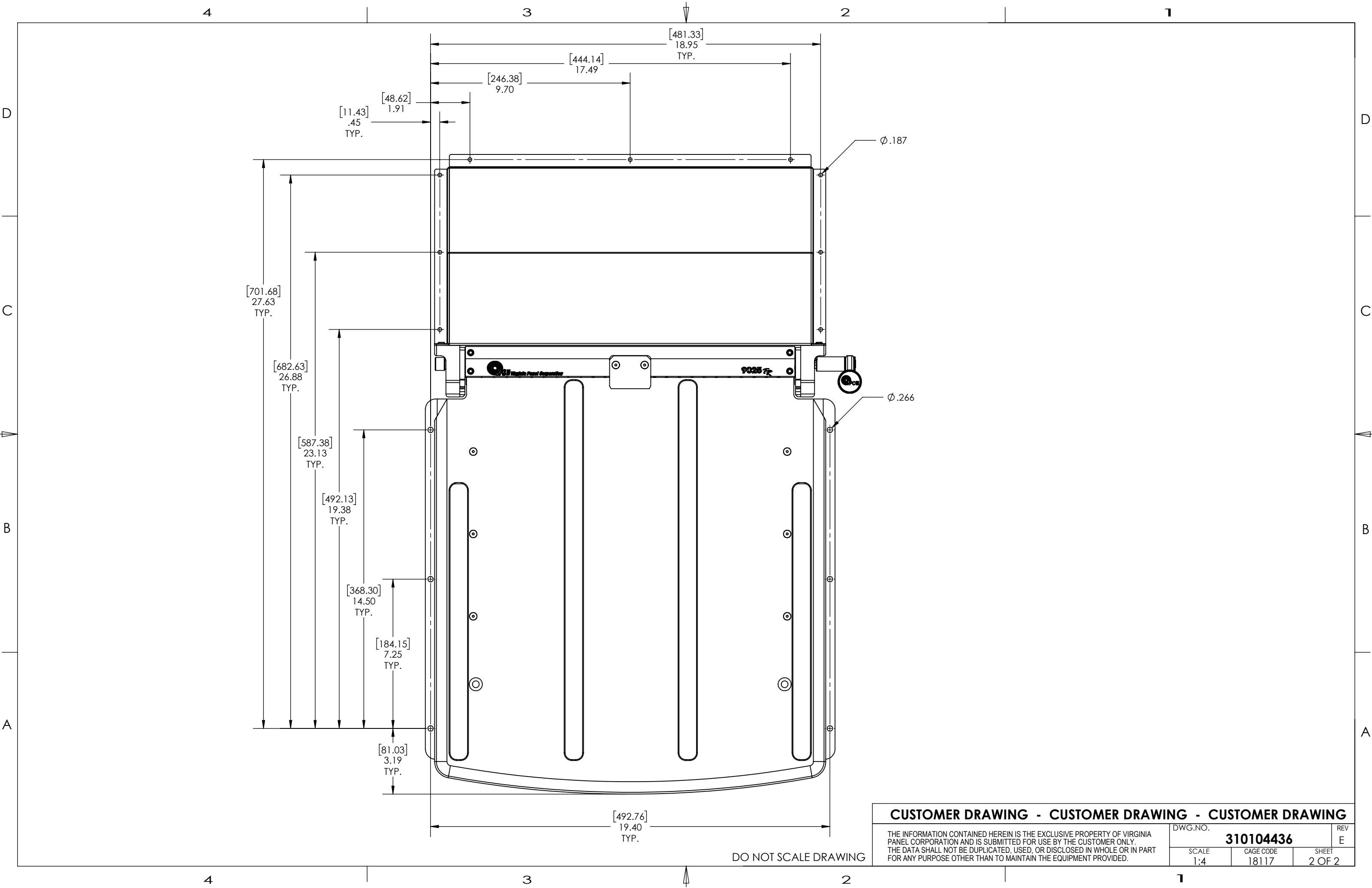
1

4

3

2

1



[11.43]
.45
TYP.

[48.62]
1.91

[246.38]
9.70

[444.14]
17.49

[481.33]
18.95
TYP.

Ø.187

[701.68]
27.63
TYP.

[682.63]
26.88
TYP.

[587.38]
23.13
TYP.

[492.13]
19.38
TYP.

[368.30]
14.50
TYP.

[184.15]
7.25
TYP.

[81.03]
3.19
TYP.

Ø.266

[492.76]
19.40
TYP.

DO NOT SCALE DRAWING

CUSTOMER DRAWING - CUSTOMER DRAWING - CUSTOMER DRAWING		
THE INFORMATION CONTAINED HEREIN IS THE EXCLUSIVE PROPERTY OF VIRGINIA PANEL CORPORATION AND IS SUBMITTED FOR USE BY THE CUSTOMER ONLY. THE DATA SHALL NOT BE DUPLICATED, USED, OR DISCLOSED IN WHOLE OR IN PART FOR ANY PURPOSE OTHER THAN TO MAINTAIN THE EQUIPMENT PROVIDED.	DWG.NO. 310104436	REV E
SCALE 1:4	CAGE CODE 18117	SHEET 2 OF 2