

8

7

6

5

4

3

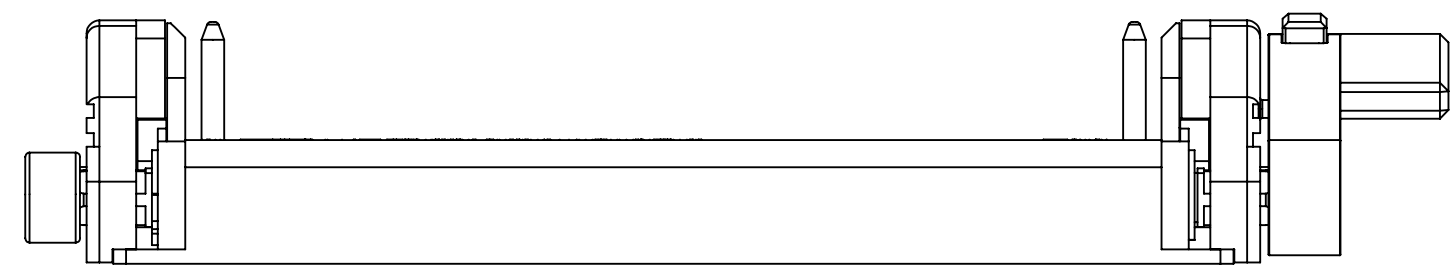
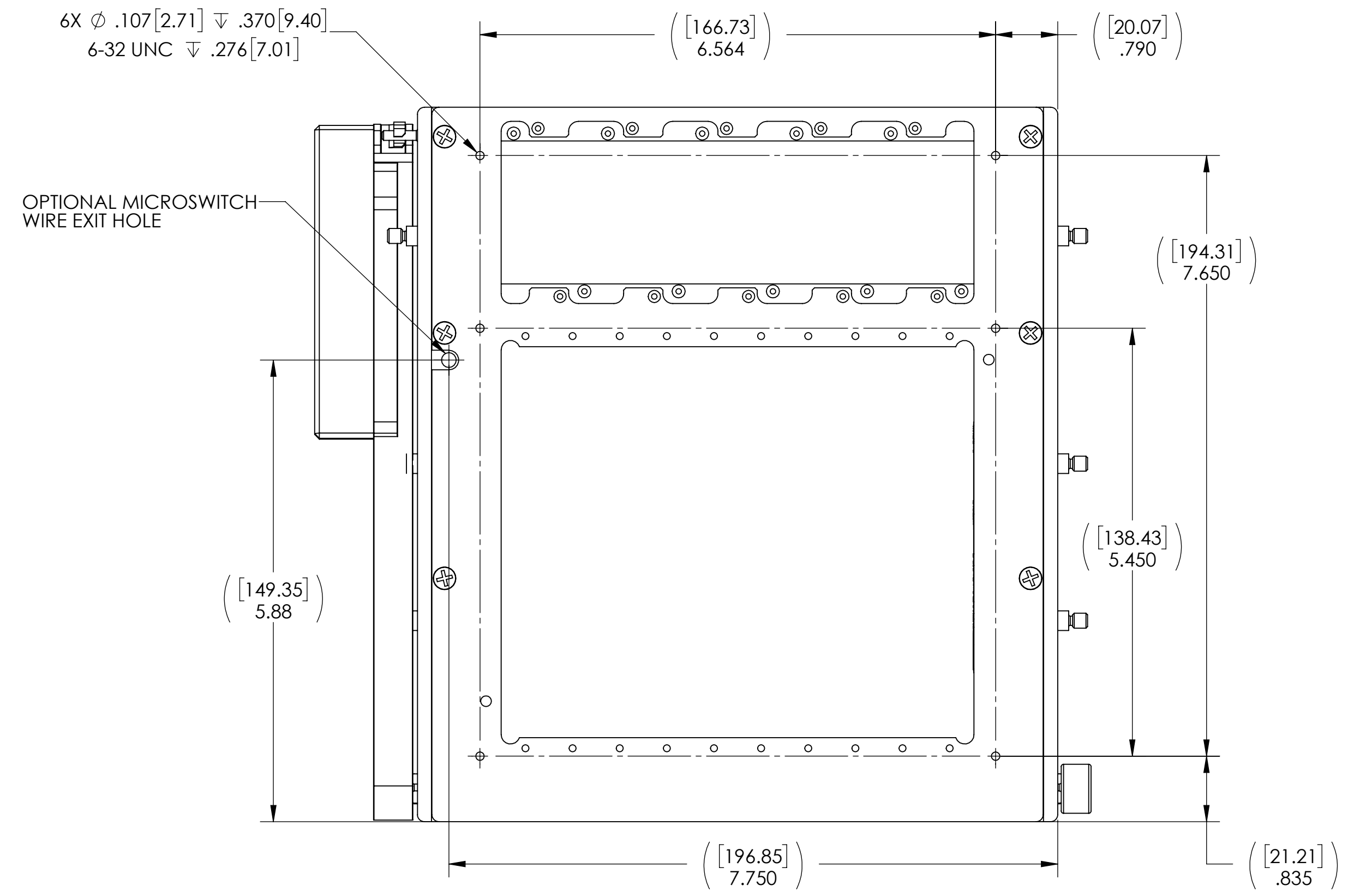
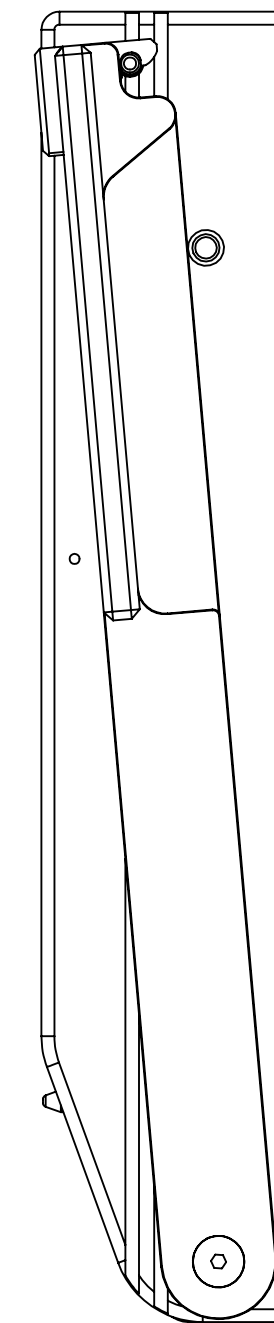
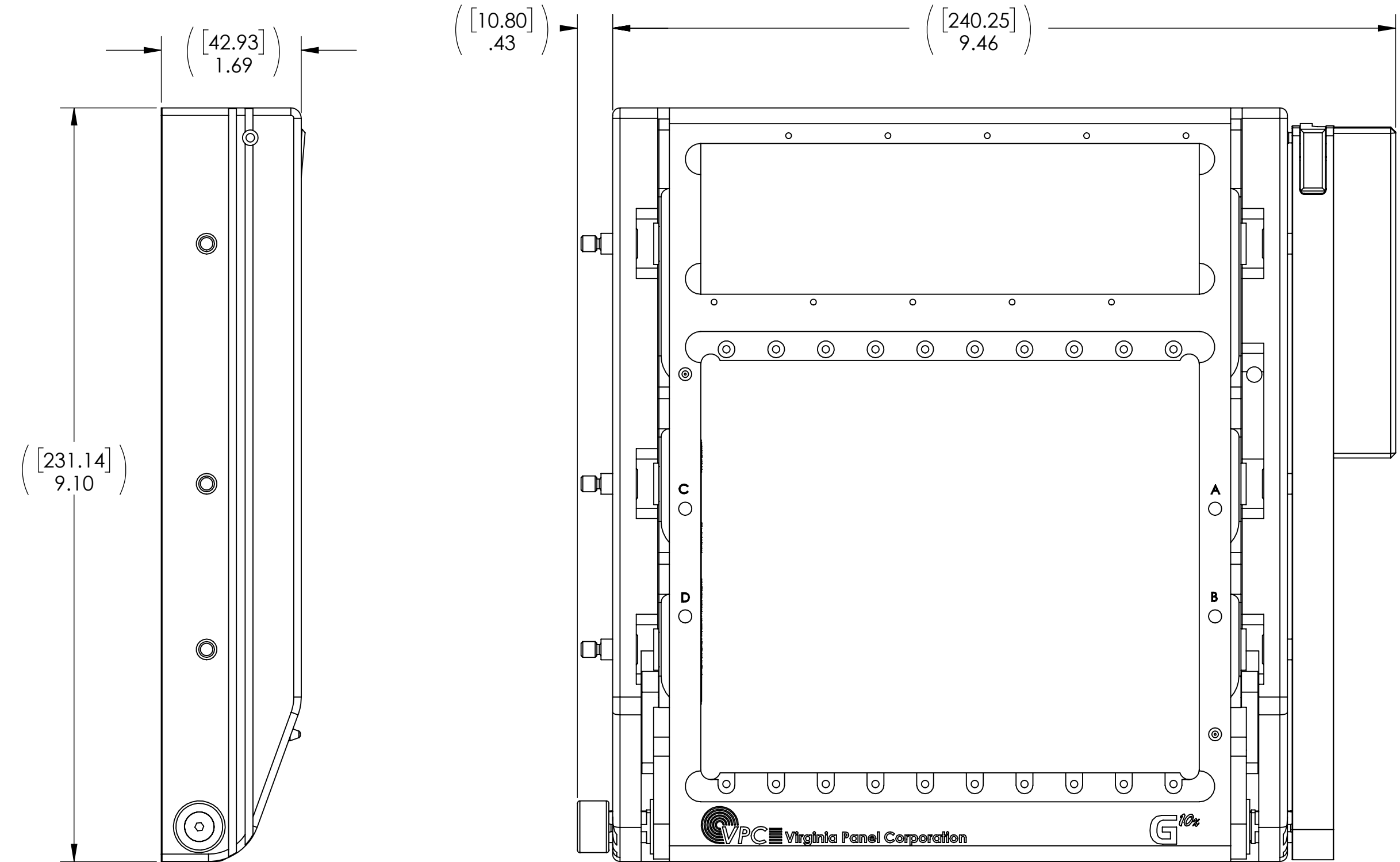
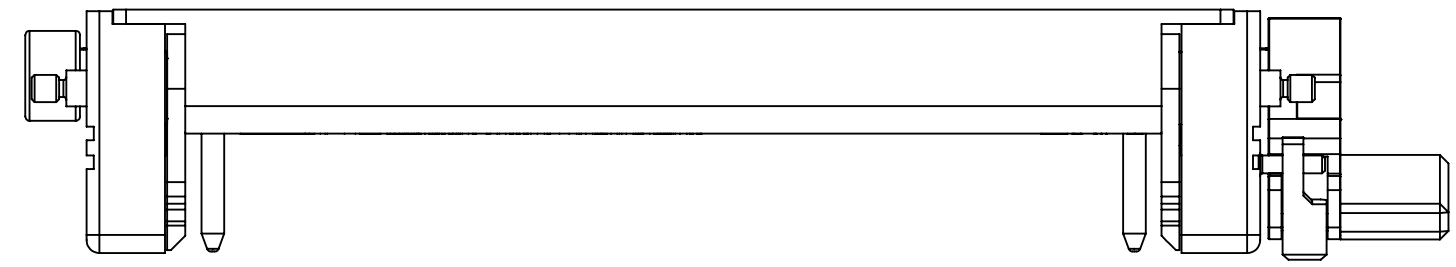
2

1

DO NOT SCALE DRAWING

THE INFORMATION CONTAINED HEREIN IS THE EXCLUSIVE PROPERTY OF VPC AND IS PERMITTED FOR USE BY THE CUSTOMER ONLY. THE DATA SHALL NOT BE DUPLICATED, USED, OR DISCLOSED IN WHOLE OR IN PART FOR ANY PURPOSE OTHER THAN TO MAINTAIN THE EQUIPMENT PROVIDED. CONSULT WITH VPC ENGINEERING IF MORE DETAIL IS REQUIRED.

REVISIONS			
REV	DESCRIPTION	DATE	ENGR
C	ECN #11846	9/2/2021	I COFFEY



INCLUDED MOUNTING HARDWARE: (6) 6-32 X .375 SOCK HEAD CAP SCREWS AND (6) #6 FLAT WASHERS.

NOTES:

8

7

6

5

4

3

2

1

CUSTOMER DRAWING

VPC

G10X RCVR ASM

RELATIVE CONNECTOR POSITIONS AND WIRE ROUTING ARE GENERIC AND MAY VARY WITH FINISH.			
DIMENSIONS ARE SHOWN AS:	SIZE	CAGE CODE	DWG. NO.
[MILLIMETERS]	D	18117	310104482
INCHES	SCALE: 3:4	310104482	3/1/2018 SHEET 1 OF 2

8

7

6

5

4

3

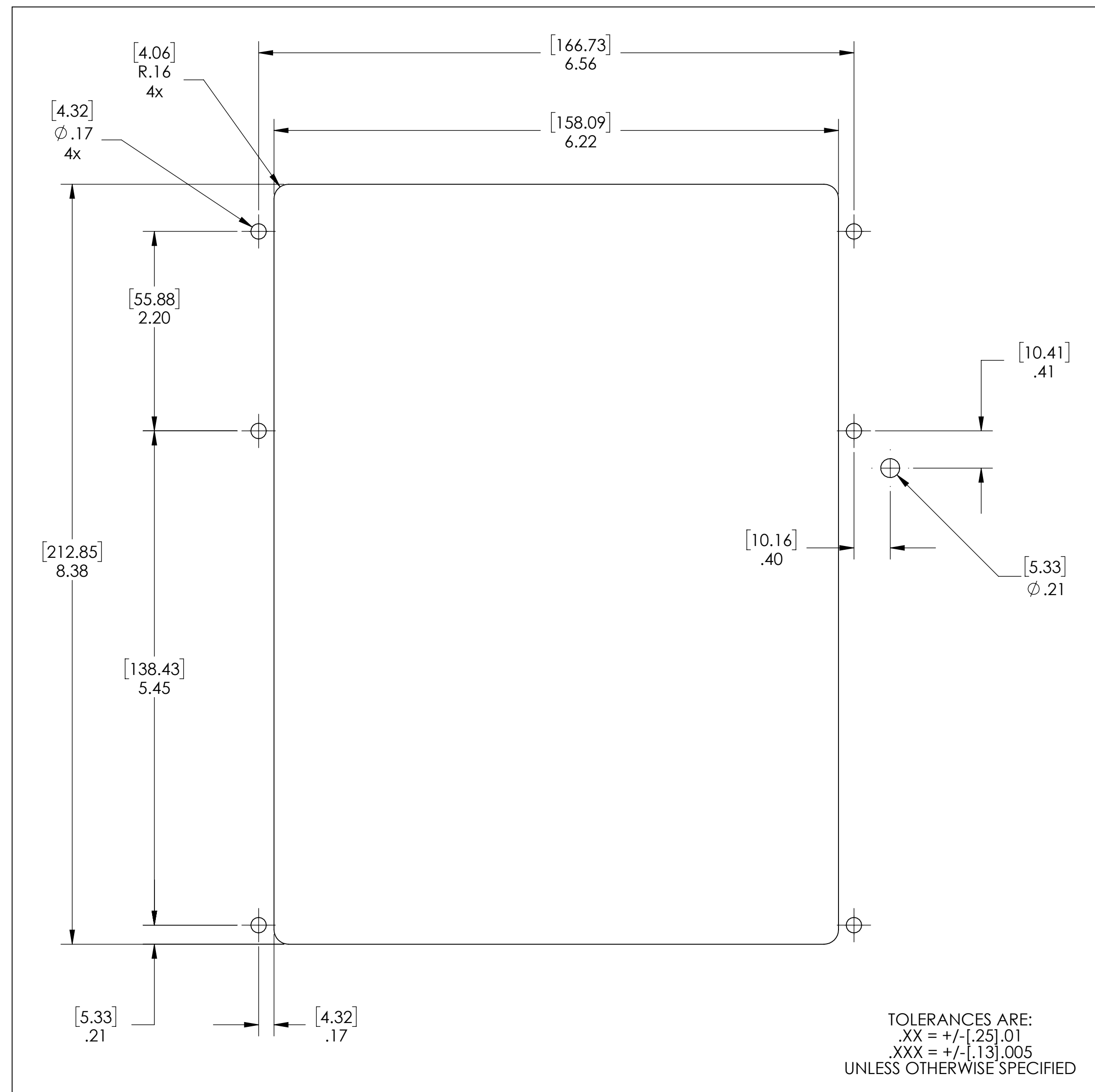
2

1

DO NOT SCALE DRAWING

THE INFORMATION CONTAINED HEREIN IS THE EXCLUSIVE PROPERTY OF VPC AND IS PERMITTED FOR USE BY THE CUSTOMER ONLY. THE DATA SHALL NOT BE DUPLICATED, USED, OR DISCLOSED IN WHOLE OR IN PART FOR ANY PURPOSE OTHER THAN TO MAINTAIN THE EQUIPMENT PROVIDED. CONSULT WITH VIRGINIA PANEL CORPORATION ENGINEERING IF MORE DETAIL IS REQUIRED.

REVISIONS			
REV	DESCRIPTION	DATE	ENGR
C	ECN #11846	9/2/2021	I COFFEY



RECOMMENDED PANEL CUTOUT

NOTES:

8

7

6

5

4

3

2

1

CUSTOMER DRAWING
VPC
G10X RCVR ASM

RELATIVE CONNECTOR POSITIONS AND WIRE ROUTING ARE GENERIC AND MAY VARY WITH PRODUCT.			
DIMENSIONS ARE SHOWN AS:	SIZE	CAGE CODE	DWG. NO.
[MILLIMETERS]	D	18117	310104482
INCHES	SCALE: 3:4	310104482	3/1/2018 SHEET 2 OF 2