

4

3

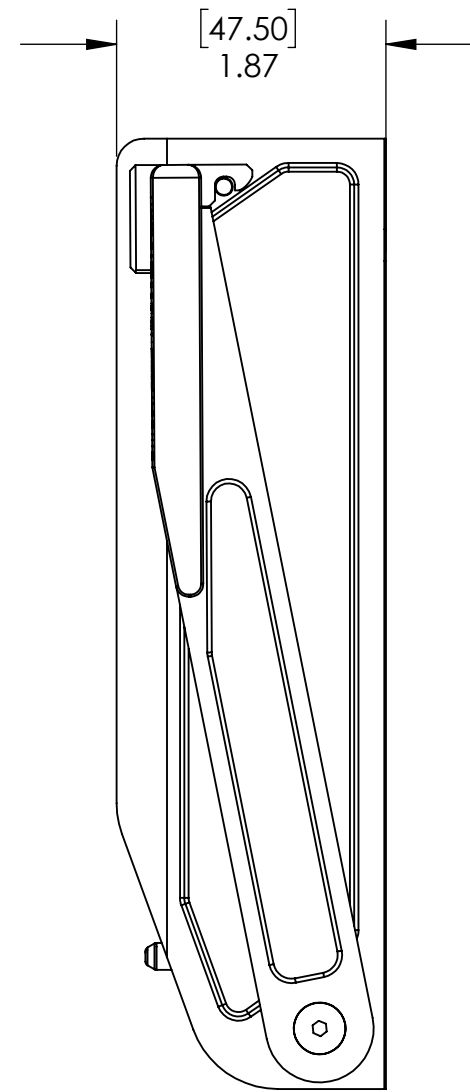
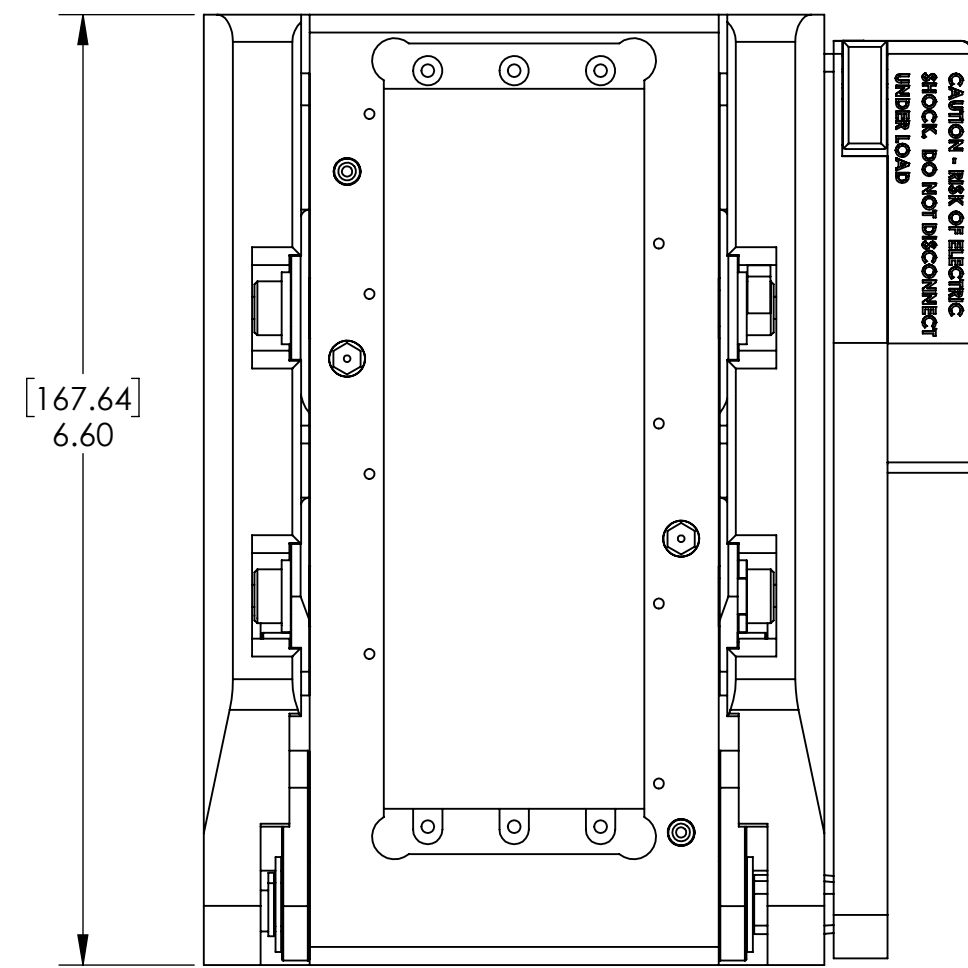
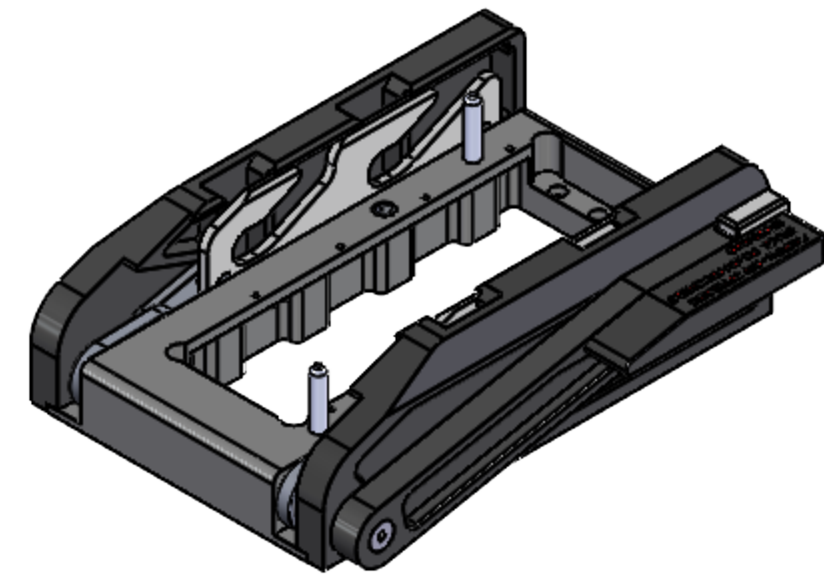
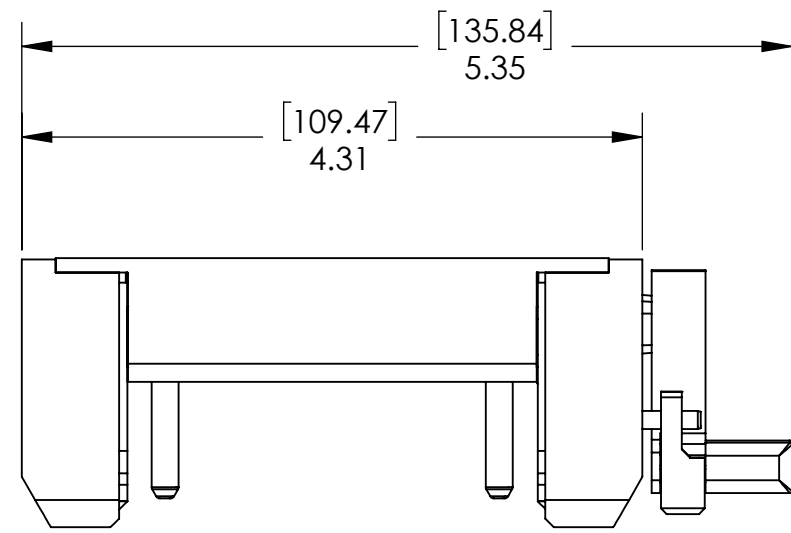
2

1

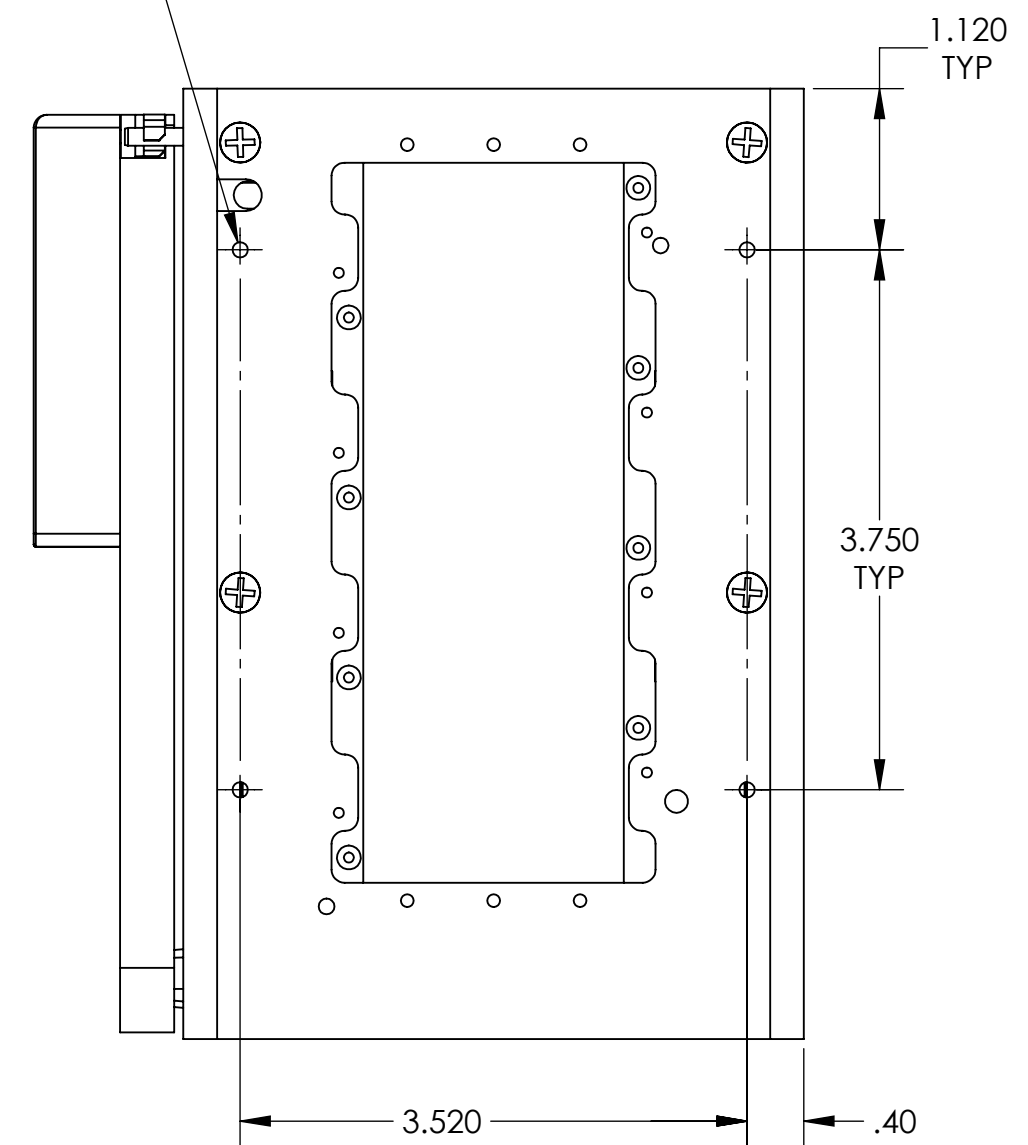
DO NOT SCALE DRAWING

THE INFORMATION CONTAINED HEREIN IS THE EXCLUSIVE PROPERTY OF VIRGINIA PANEL CORPORATION AND IS SUBMITTED FOR USE BY THE CUSTOMER ONLY. THE DATA SHALL NOT BE DUPLICATED, USED, OR DISCLOSED IN WHOLE OR IN PART FOR ANY PURPOSE OTHER THAN TO MAINTAIN THE EQUIPMENT PROVIDED. CONSULT WITH VIRGINIA PANEL CORPORATION ENGINEERING IF MORE DETAIL IS REQUIRED.

REVISIONS			
REV	DESCRIPTION	DATE	ENGR
B	ORIGINAL RELEASE ECN #15706	3/25/26	M ECKERT



4X 6-32 UNC - 2B  $\nabla$  .28



- NOTES:
- 2. RECEIVER DESIGNED FOR USE WITH EITHER THREE FRONT MOUNTED 90 SERIES MODULES OR FOUR REAR MOUNTED ISERIES MODULES.
  - 1. FOR APPLICATION USE & CARE INFORMATION CONSULT VPC USERS GUIDE @WWW.VPC.COM

<b>CUSTOMER DRAWING</b>			
<b>VIRGINIA PANEL CORPORATION</b> WWW.VPC.COM			
<b>RCV G3/G4 3 OR 4 MOD</b>			
RELATIVE CONNECTOR POSITIONS AND WIRE ROUTING ARE GENERIC AND MAY VARY WITH PINOUT	DIMENSIONS ARE SHOWN AS:	SIZE	REV
	[MILLIMETERS]	C 18117	B
	INCHES	DWG. NO. 310104511	SHEET 1 OF 2
		SCALE: 3:4	

4

3

2

1

4

3

2

1

DO NOT SCALE DRAWING

D

D

C

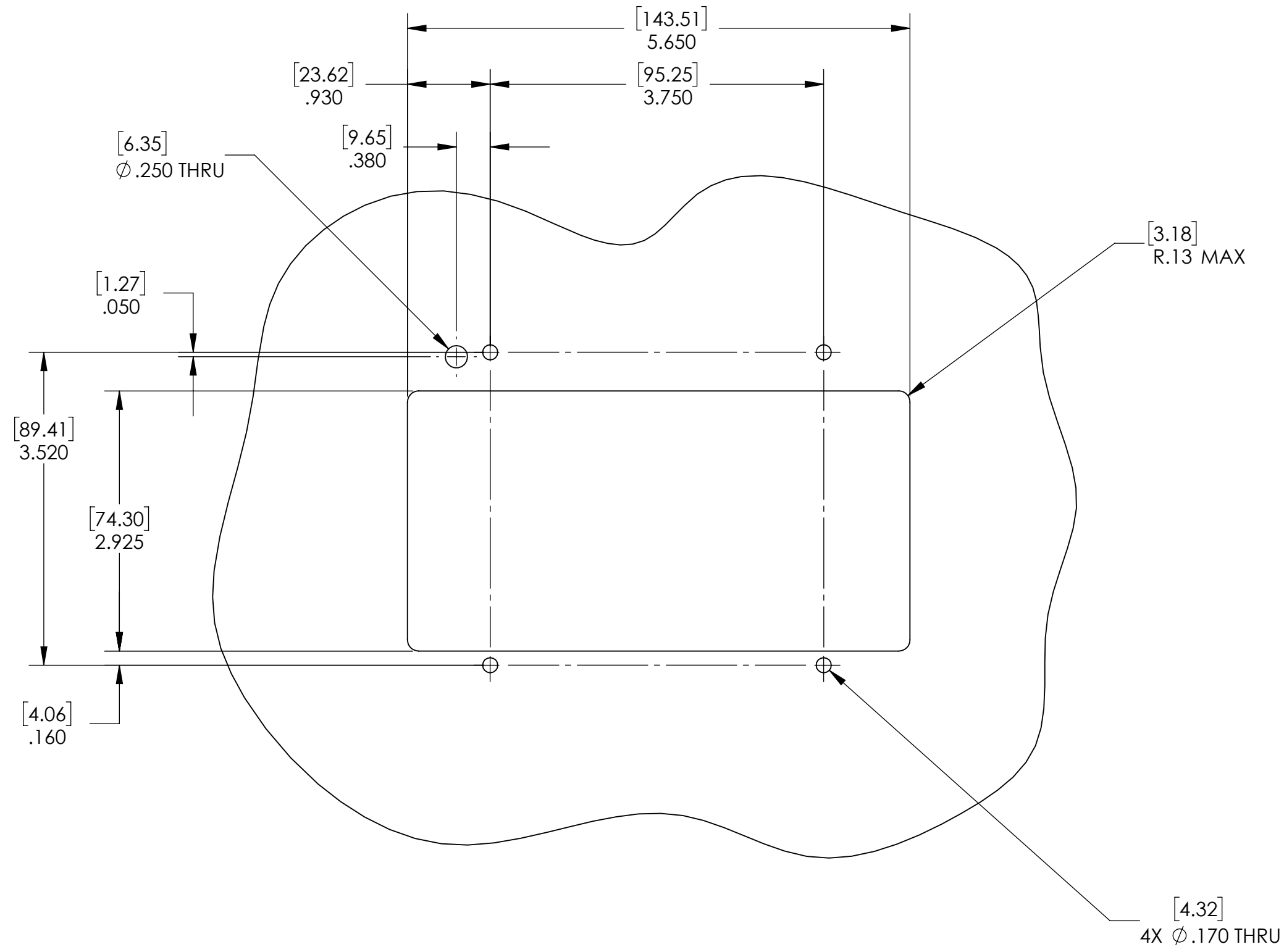
C

B

B

A

A



RECEIVER MOUNTING PANEL DIMENSIONS  
 RECOMMENDED MINIMUM  
 PANEL THICKNESS .12" [3.0mm]

CUSTOMER DRAWING				
DIMENSIONS ARE SHOWN AS:	SIZE	CAGE CODE	DWG. NO.	REV
[MILLIMETERS]	C	18117	310104511	B
INCHES	SCALE: 3:4	SHEET 2 OF 2		

4

3

2

1