

8

7

6

5

4

3

2

1

DO NOT SCALE DRAWING

THE INFORMATION CONTAINED HEREIN IS THE EXCLUSIVE PROPERTY OF VIRGINIA PANEL CORP. AND IS SUBMITTED FOR USE BY THE CUSTOMER ONLY. THE DATA SHALL NOT BE DUPLICATED, USED, OR DISCLOSED IN WHOLE OR IN PART FOR ANY PURPOSE OTHER THAN TO MAINTAIN THE EQUIPMENT PROVIDED.

REVISIONS				
ZONE	REV	DESCRIPTION	DATE	ENGINEER
	B	ECN #15217	10/14/25	M ECKERT

D

D

C

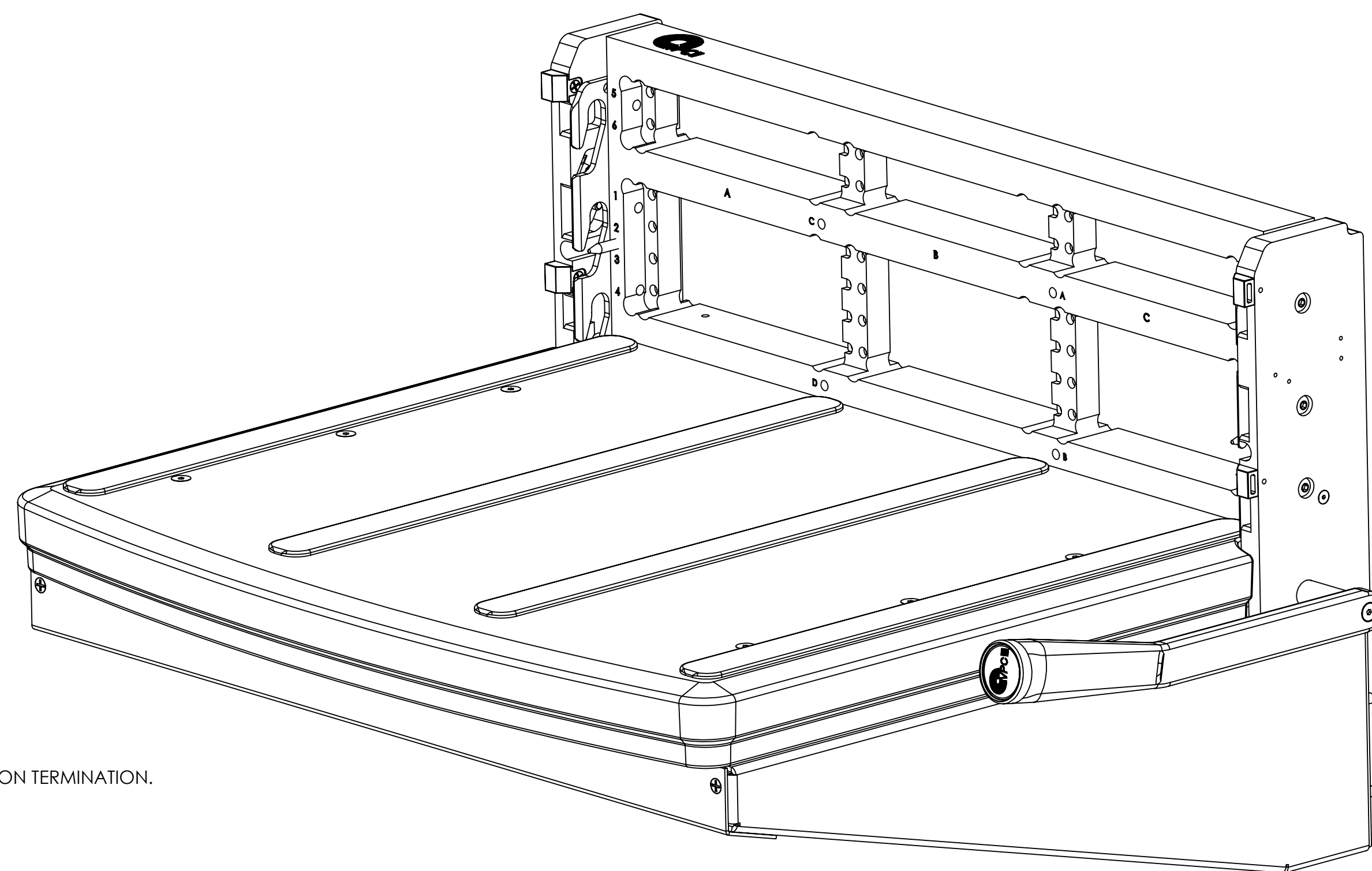
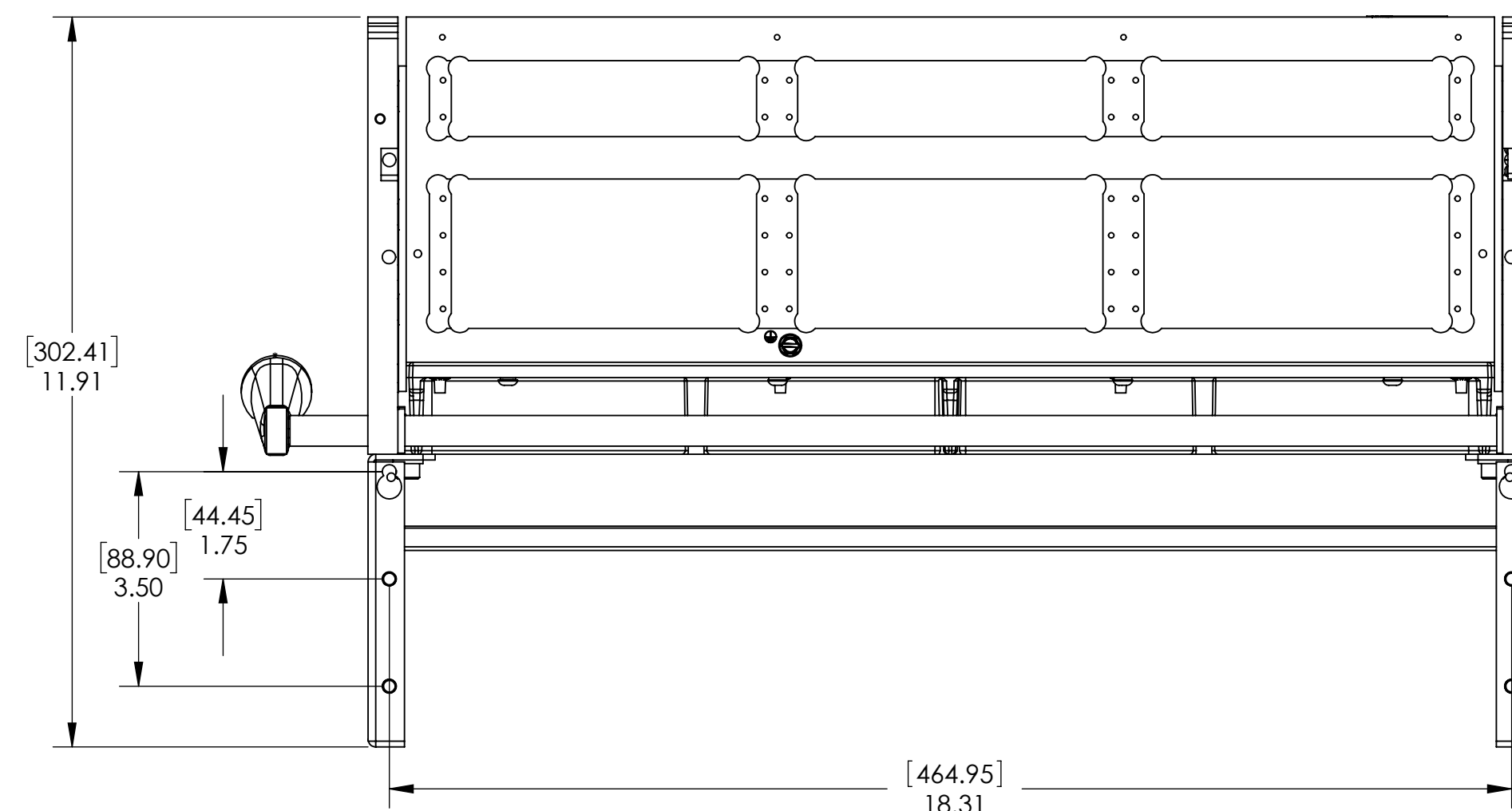
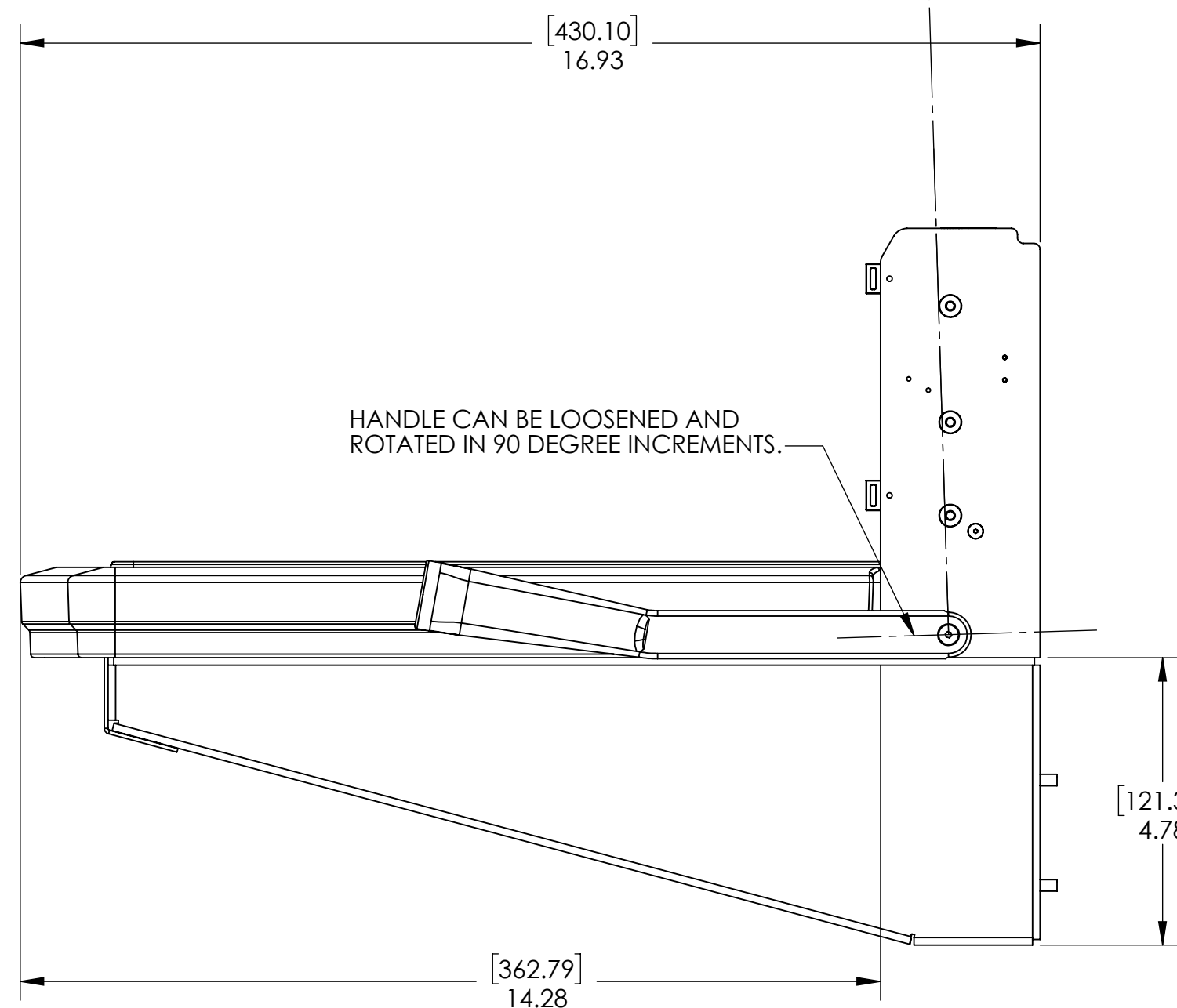
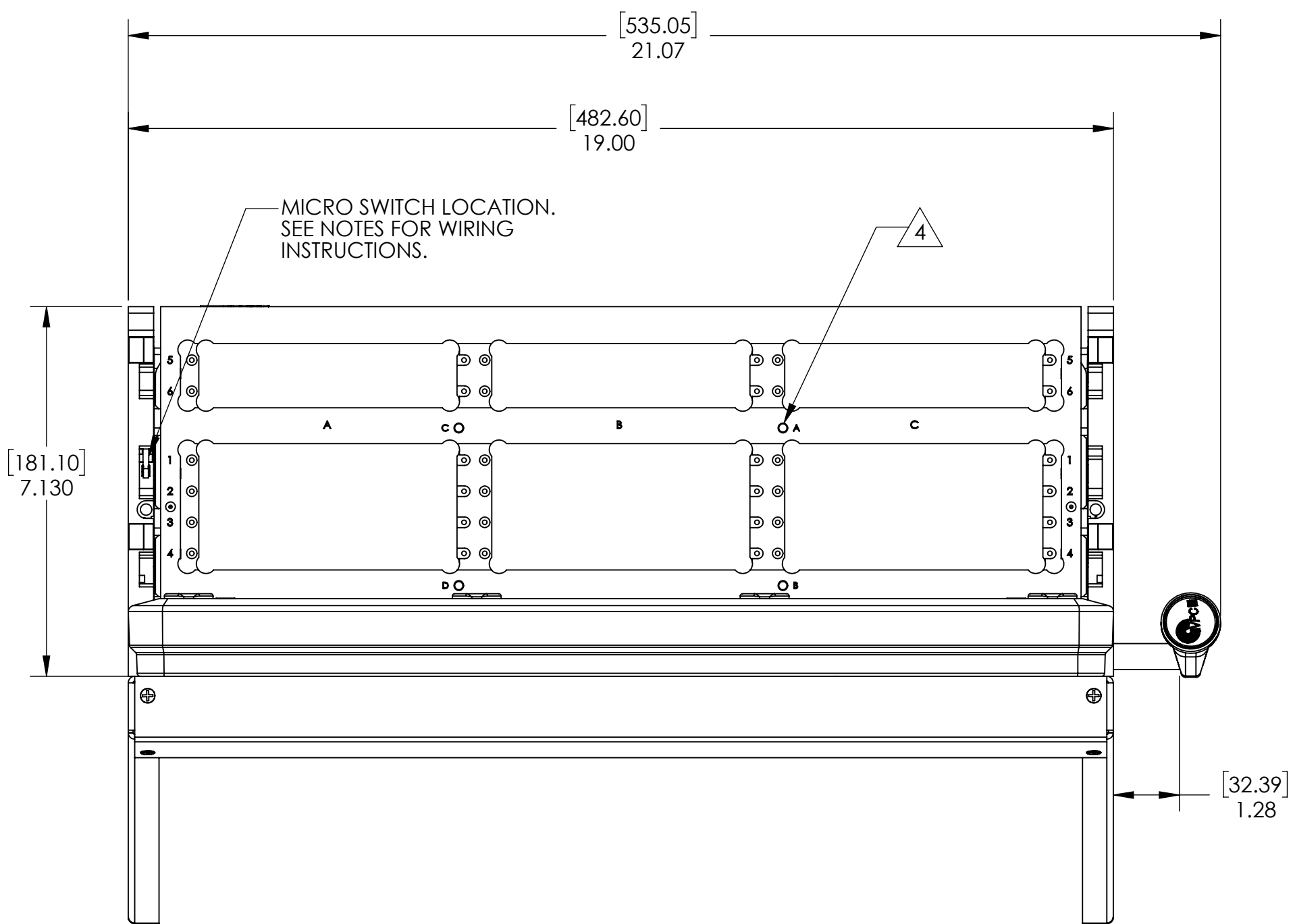
C

B

B

A

A



KEYING PLUG LOCATIONS							
PATTERN 1				PATTERN 4			
RECEIVER		ITA		RECEIVER		ITA	
PIN A	PIN C	SCREW A	SCREW C	PIN A	PIN C	SCREW A	SCREW C
INSTALLED	INSTALLED	OPEN	OPEN	OPEN	OPEN	INSTALLED	INSTALLED
PIN B	PIN D	SCREW B	SCREW D	PIN B	PIN D	SCREW B	SCREW D
OPEN	OPEN	INSTALLED	INSTALLED	INSTALLED	INSTALLED	OPEN	OPEN
PATTERN 2				PATTERN 5			
RECEIVER		ITA		RECEIVER		ITA	
PIN A	PIN C	SCREW A	SCREW C	PIN A	PIN C	SCREW A	SCREW C
INSTALLED	OPEN	OPEN	INSTALLED	OPEN	INSTALLED	OPEN	OPEN
PIN B	PIN D	SCREW B	SCREW D	PIN B	PIN D	SCREW B	SCREW D
INSTALLED	OPEN	OPEN	INSTALLED	INSTALLED	OPEN	OPEN	INSTALLED
PATTERN 3				PATTERN 6			
RECEIVER		ITA		RECEIVER		ITA	
PIN A	PIN C	SCREW A	SCREW C	PIN A	PIN C	SCREW A	SCREW C
OPEN	INSTALLED	INSTALLED	OPEN	INSTALLED	OPEN	OPEN	INSTALLED
PIN B	PIN D	SCREW B	SCREW D	PIN B	PIN D	SCREW B	SCREW D
OPEN	INSTALLED	INSTALLED	OPEN	OPEN	INSTALLED	INSTALLED	OPEN

- NOTES:
- FOR APPLICATION, USE & CARE INFORMATION CONSULT VPC USERS GUIDE @WWW.VPC.COM.
  - MICROSWITCH WIRES NOT SHOWN. COLOR CODE AS FOLLOWS:  
RED- NC  
WHITE- NO  
BLACK- COMMON
  - SOME ASSEMBLY REQUIRED.
  - IF KEYING IS REQUIRED USE VPC KEYING KIT PART NUMBER 310118112. SEE TABLE FOR KEYING OPTIONS.
  - GREEN 8-32 HEX HEAD SCREW & LOCK WASHER INCLUDED FOR OPTIONAL GROUND LOCATION TERMINATION.

CUSTOMER DRAWING - CUSTOMER DRAWING			
SOLIDWORKS DRAWING FILE	DIMENSIONS ARE SHOWN AS:	CONTRACT NO.	
	[millimeters]	SIGNATURES	DATE
	INCHES	DR	
		CHK	
	REMOVE BURRS. BREAK SHARP EDGES.	ENG	
	MATERIAL	PROD	
	ASSY		
FINISH	Q A		
	APPD		
VIRGINIA PANEL CORPORATION WWW.VPC.COM		RECEIVER, G12X, 12 MODULE FIXED RACK WITH 15" PLATFORM	
SIZE	FSCM NO.	DWG NO.	REV
D	18117	310104513	B
SCALE:	1:4		SHEET 1 OF 1

8

7

6

5

4

3

2

1