

4

3

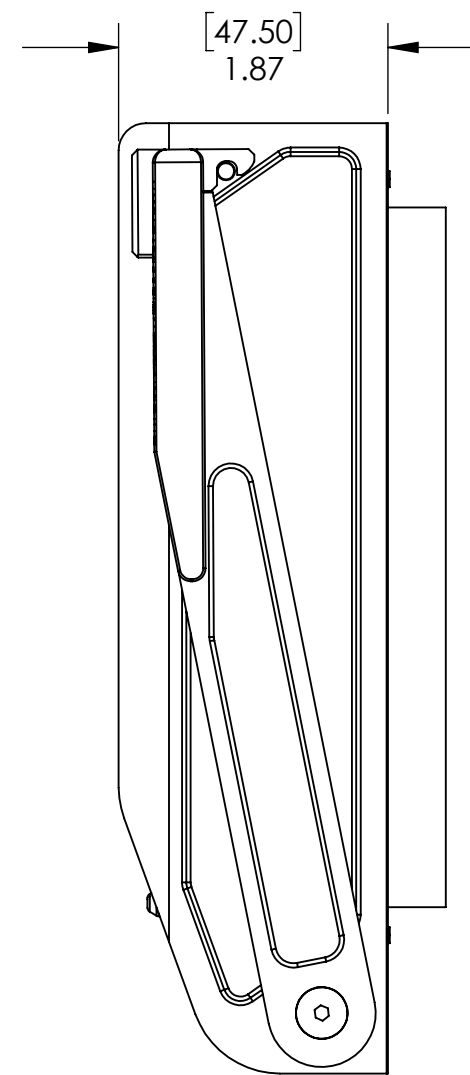
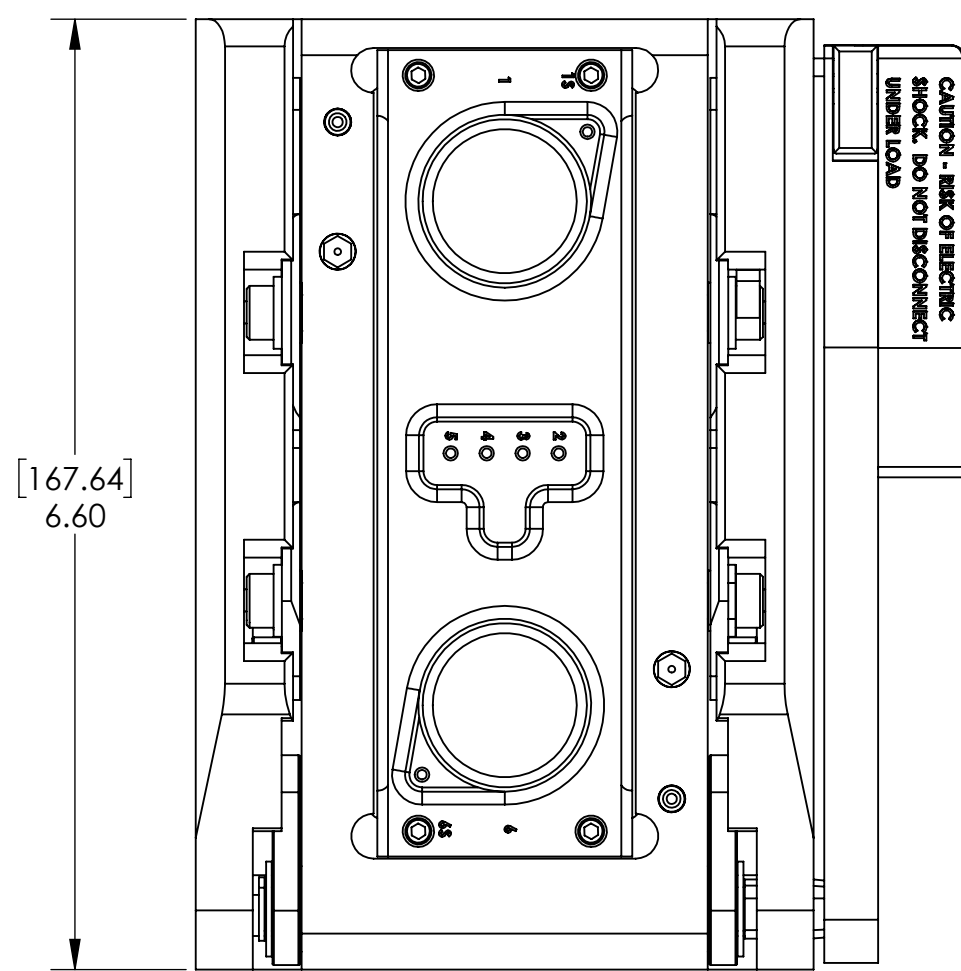
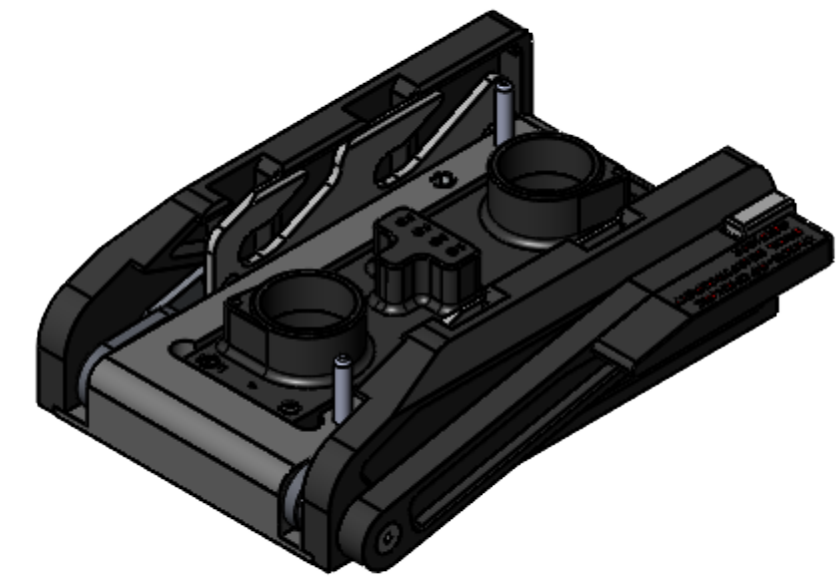
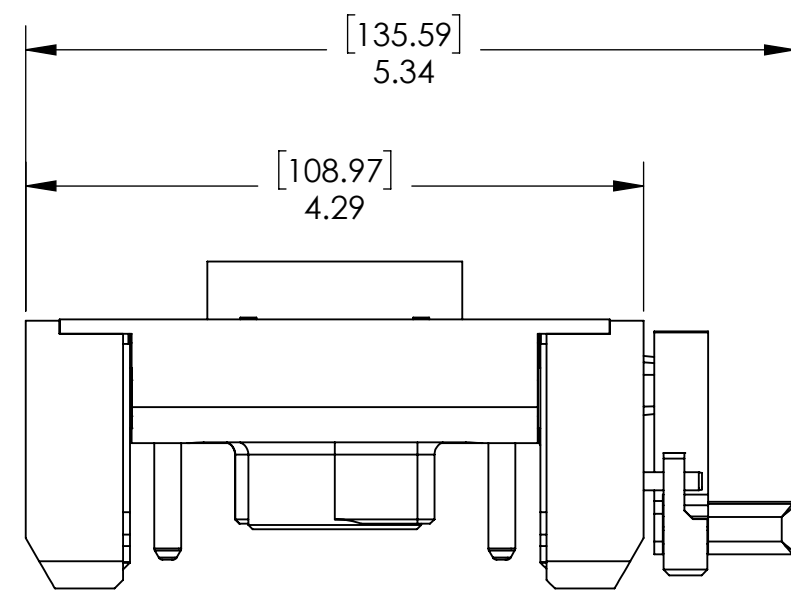
2

1

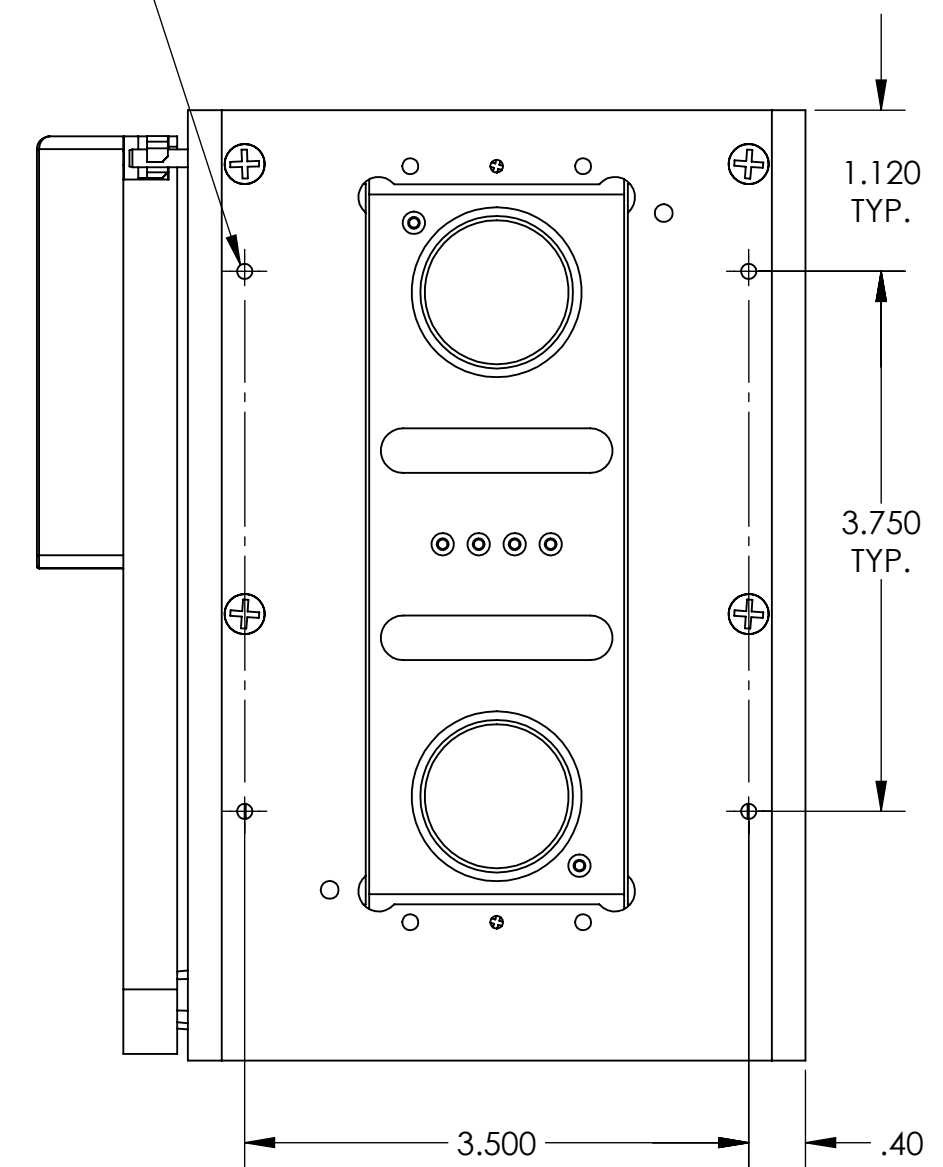
DO NOT SCALE DRAWING

THE INFORMATION CONTAINED HEREIN IS THE EXCLUSIVE PROPERTY OF VIRGINIA PANEL CORPORATION AND IS SUBMITTED FOR USE BY THE CUSTOMER ONLY. THE DATA SHALL NOT BE DUPLICATED, USED, OR DISCLOSED IN WHOLE OR IN PART FOR ANY PURPOSE OTHER THAN TO MAINTAIN THE EQUIPMENT PROVIDED. CONSULT WITH VIRGINIA PANEL CORPORATION ENGINEERING IF MORE DETAIL IS REQUIRED.

REVISIONS			
REV	DESCRIPTION	DATE	ENGR
A	ORIGINAL RELEASE ECN #15726	5/7/26	M ECKERT



4X 6-32 UNC - 2B ∇.1



- NOTES:
- 2. RECEIVER DESIGNED FOR USE WITH THE DEDICATED 500 AMP MODULE THAT COMES PRE INSTALLED.
 - 1. FOR APPLICATION USE & CARE INFORMATION CONSULT VPC USERS GUIDE @WWW.VPC.COM

RELATIVE CONNECTOR POSITIONS AND WIRE ROUTING ARE GENERIC AND MAY VARY WITH PINOUT
 DIMENSIONS ARE SHOWN AS:
 [MILLIMETERS]
 INCHES

CUSTOMER DRAWING			
VIRGINIA PANEL CORPORATION WWW.VPC.COM			
RCV 2 POS 500 AMP			
SIZE	CAGE CODE	DWG. NO.	REV
C	18117	310105172	A
SCALE: 1:2			SHEET 1 OF 2

4

3

2

1

4

3

2

1

DO NOT SCALE DRAWING

D

D

C

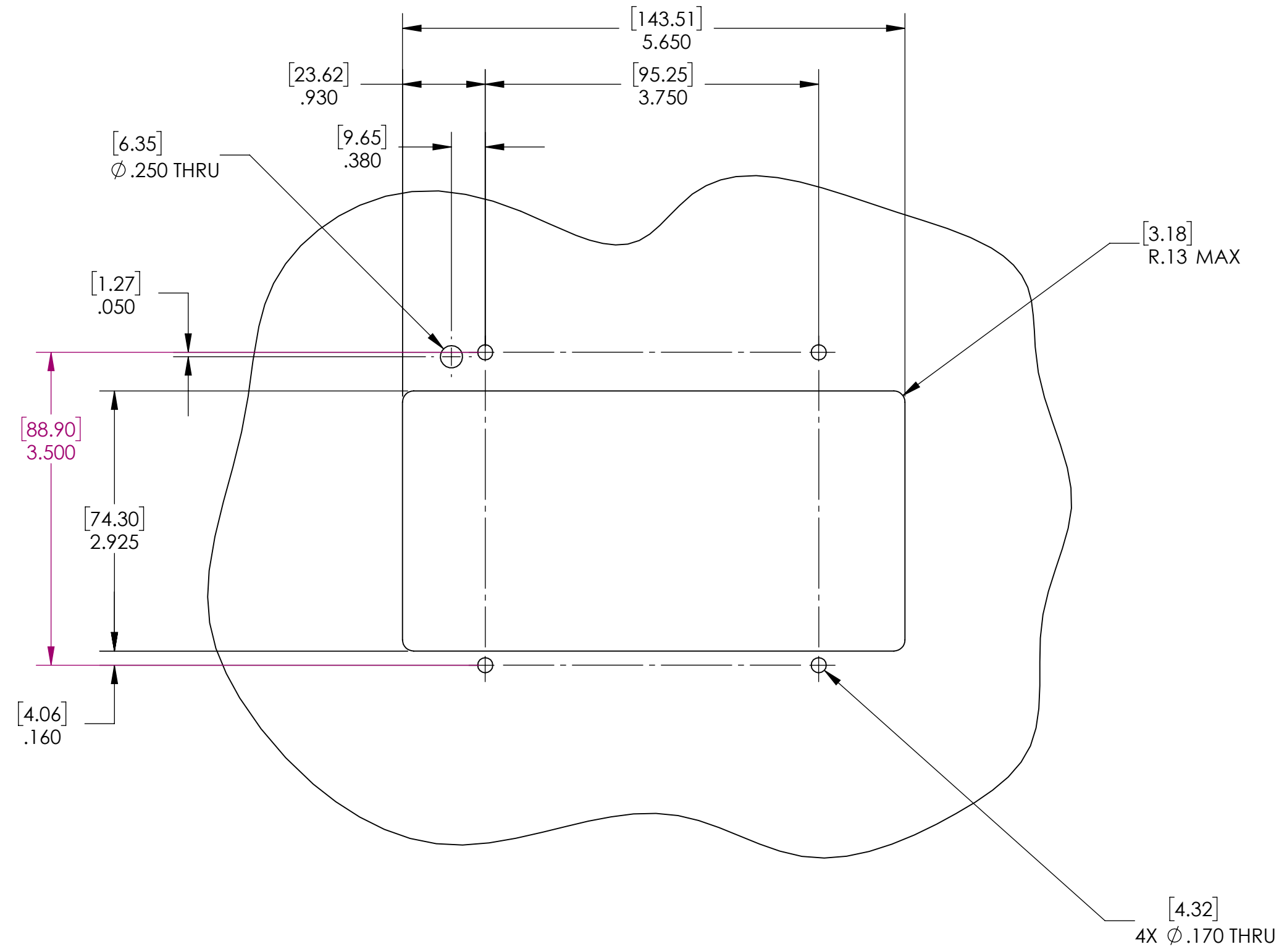
C

B

B

A

A



RECEIVER MOUNTING PANEL DIMENSIONS
 RECOMMENDED MINIMUM
 PANEL THICKNESS .12" [3.0mm]

CUSTOMER DRAWING				
DIMENSIONS ARE SHOWN AS:	SIZE	CAGE CODE	DWG. NO.	REV
[MILLIMETERS]	C	18117	310105172	A
INCHES	SCALE: 3:4	SHEET 2 OF 2		

4

3

2

1