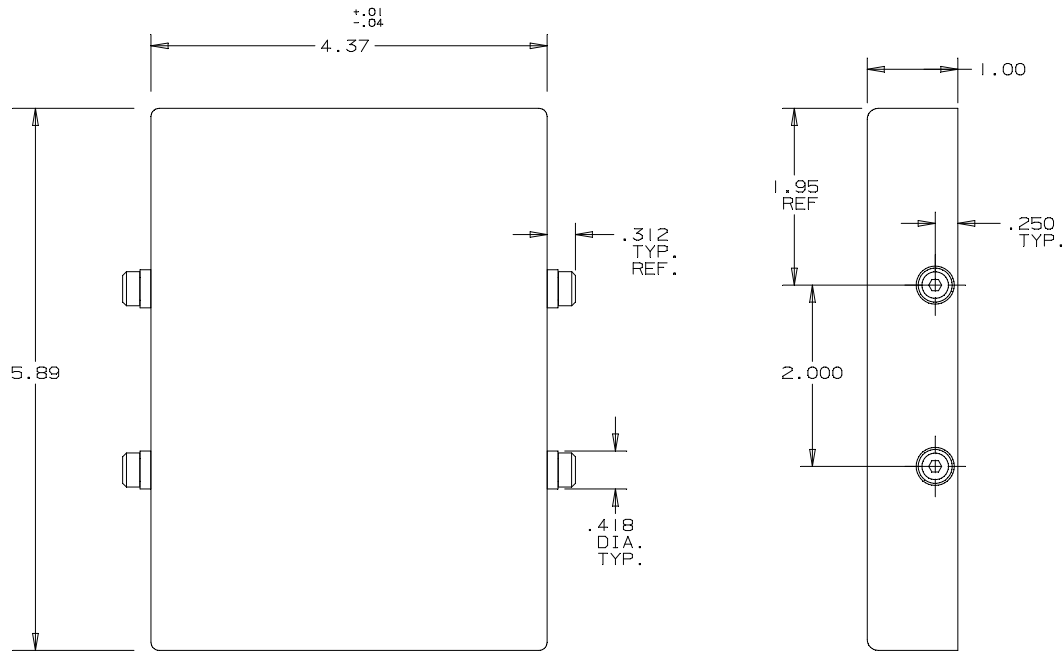


DO NOT SCALE DRAWING

THE INFORMATION CONTAINED HEREIN IS THE EXCLUSIVE PROPERTY OF VIRGINIA PANEL CORP. AND IS SUBMITTED FOR USE BY THE CUSTOMER ONLY. THE DATA SHALL NOT BE DUPLICATED, USED, OR DISCLOSED IN WHOLE OR IN PART FOR ANY PURPOSE OTHER THAN TO MAINTAIN THE EQUIPMENT PROVIDED.

REVISIONS

ZONE	REV	DESCRIPTION	DATE	APPROVED
B		INCORPORATED ECN #1765	8/21/96	MD



CUSTOMER DRAWING

310113158

FIND NO.	QTY REQD	CODE IDENT	PART NO.	DESCRIPTION	SOURCE OF SUPPLY
PARTS LIST					
			CONTRACT NO.		VIRGINIA PANEL CORP.
			SIGNATURES DATE		
			DR	F MORAN	8/16/91
			CHK		
			ENG		
			APPD		
			APPD		
NEXT ASSY		USED ON	FINISH	SIZE	FSCM NO.
APPLICATION				C	18117
				DWG. NO.	3916 03 000
				SCALE: NONE	39160300 8/17/92
				SHEET	1 OF 1