

8

7

6

5

4

3

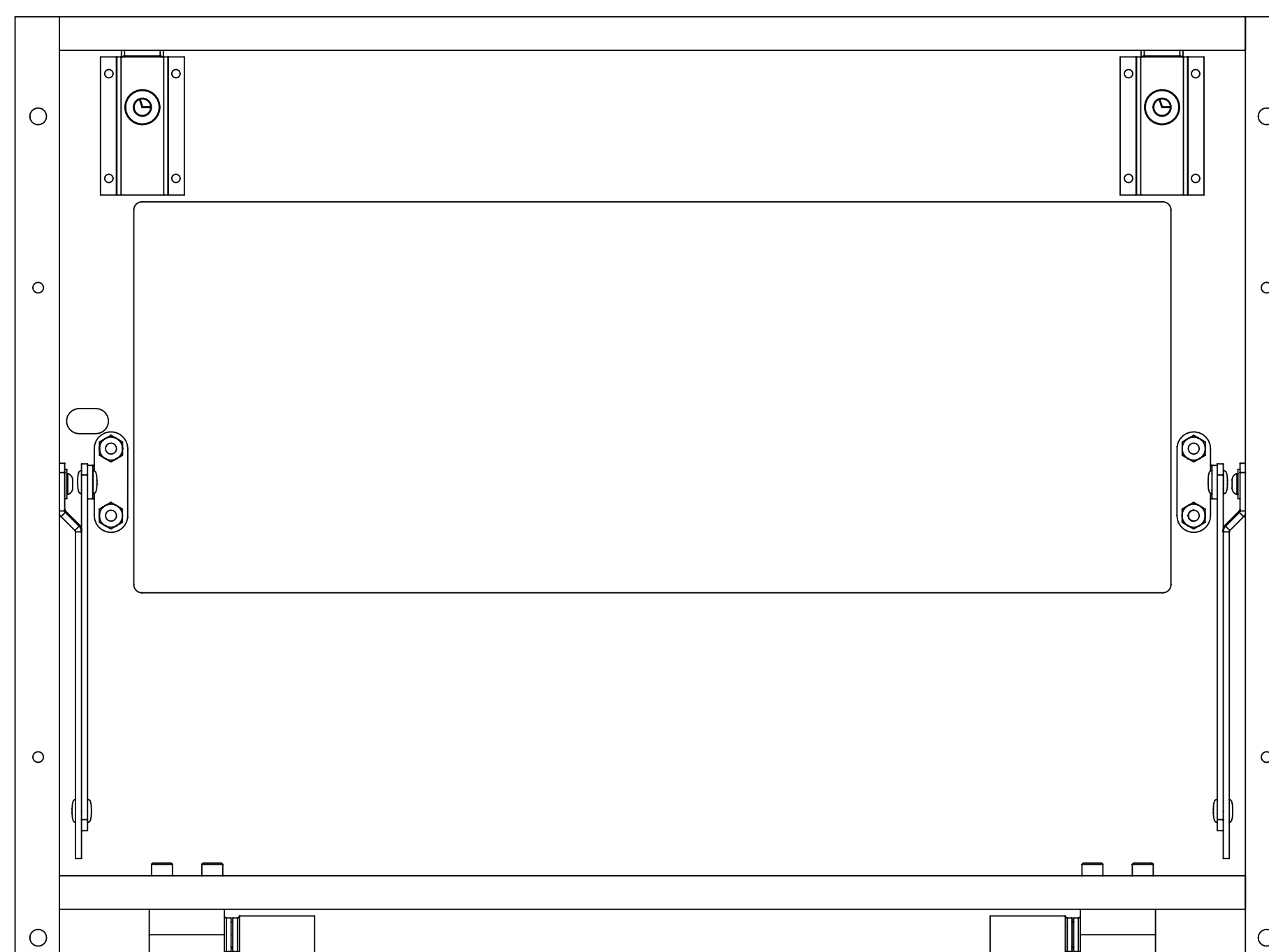
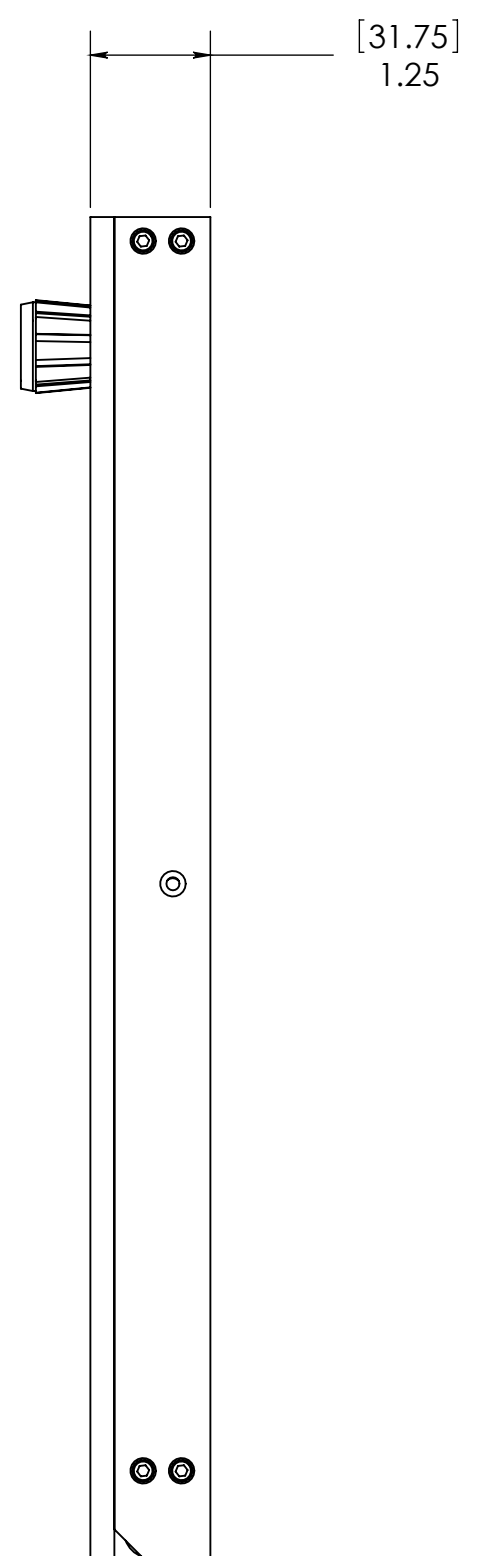
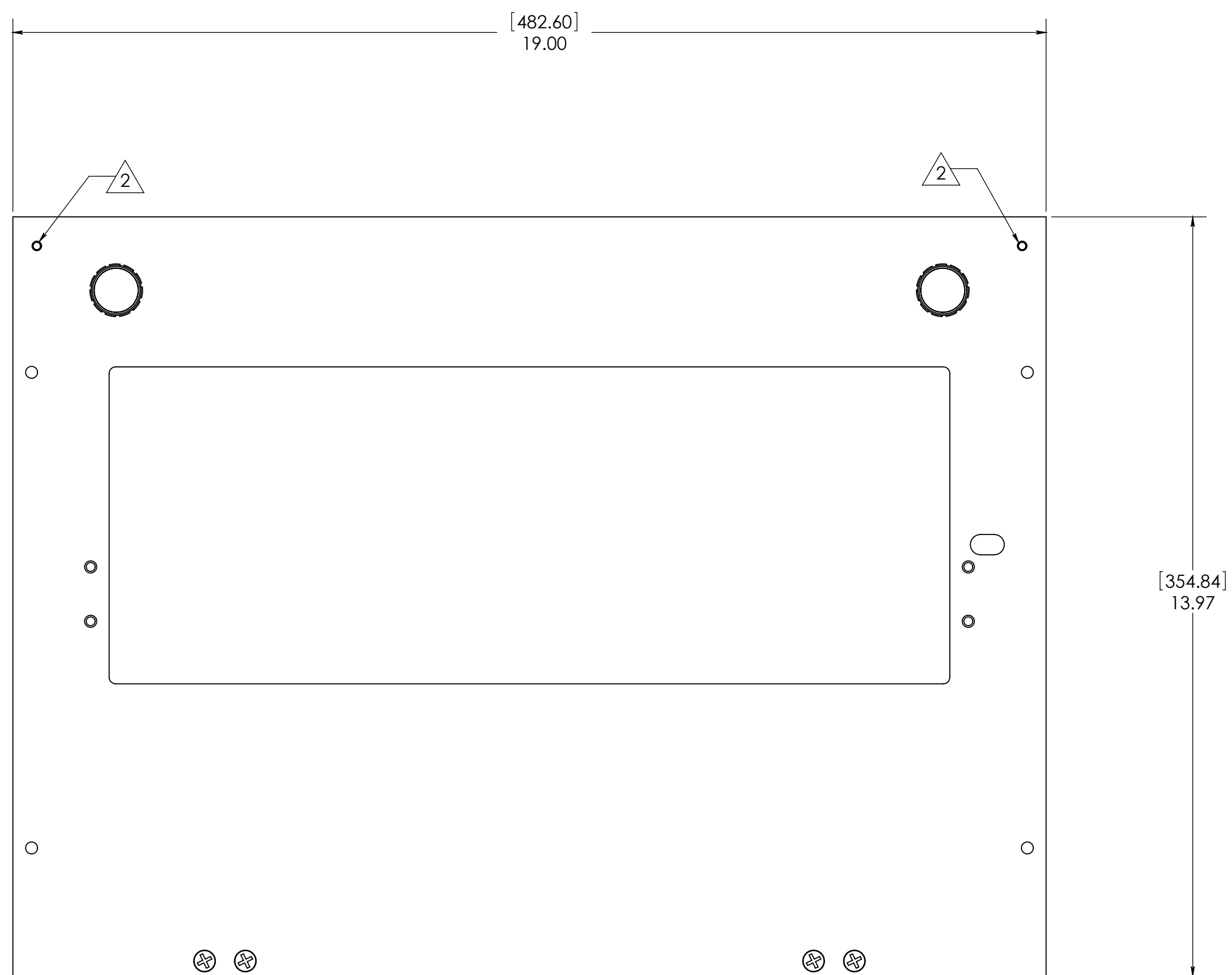
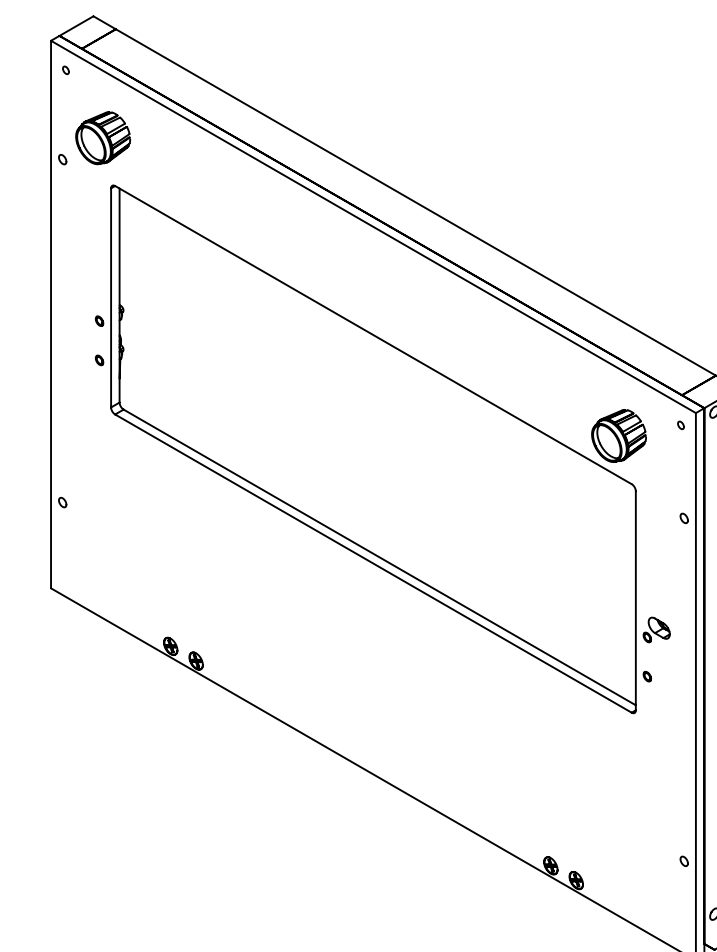
2

1

DO NOT SCALE DRAWING

THE INFORMATION CONTAINED HEREIN IS THE EXCLUSIVE PROPERTY OF VIRGINIA PANEL CORP. AND IS SUBMITTED FOR USE BY THE CUSTOMER ONLY. THE DATA SHALL NOT BE DUPLICATED, USED, OR DISCLOSED IN WHOLE OR IN PART FOR ANY PURPOSE OTHER THAN TO MAINTAIN THE EQUIPMENT PROVIDED.

REVISIONS				
ZONE	REV	DESCRIPTION	DATE	APPROVED
	E	ECN #4646	5/28/13	R GARMAN



2 8-32 THREADED HOLES AVAILABLE TO SECURE VERTICAL HINGE

1 FOR APPLICATION, USE & CARE INFORMATION CONSULT VPC USERS GUIDE @WWW.VPC.COM.

NOTES:

SOLIDWORKS DRAWING FILE	CUSTOMER DRAWING - CUSTOMER DRAWING - CUSTOMER DRAWING			VIRGINIA PANEL CORPORATION WWW.VPC.COM	
	DIMENSIONS ARE SHOWN AS:				
	[millimeters]			SIGNATURES	
	[INCHES]			DR	R GARMAN
	REMOVE BURRS. BREAK SHARP EDGES.			CHK	6/29/00
	MATERIAL			ENG	
FINISH			PROD		
			ASSY		
			Q A		
			APPD		
SIZE	CAGE CODE	DWG NO.	REV		
D	18117	310113316	E		
SCALE:	1:4	310113316	6/29/00	SHEET	1 OF 1