

4

3

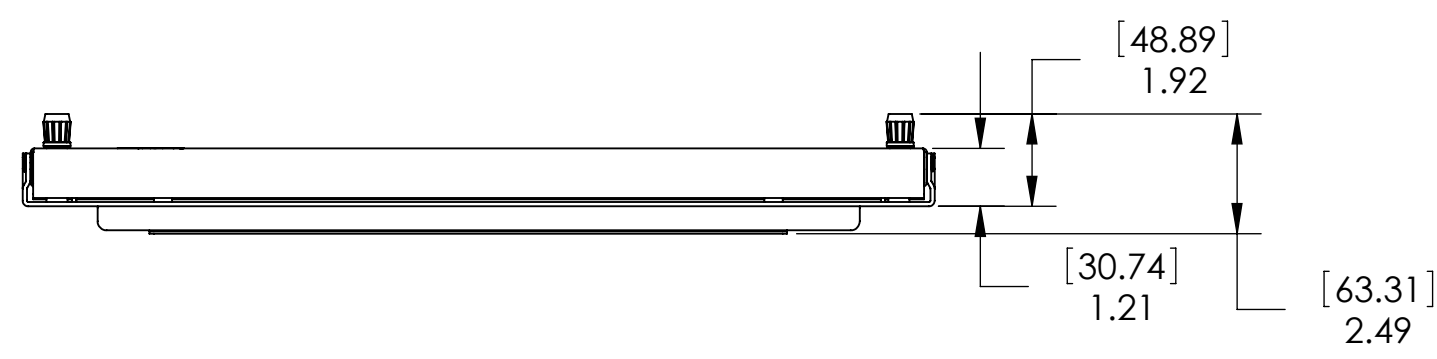
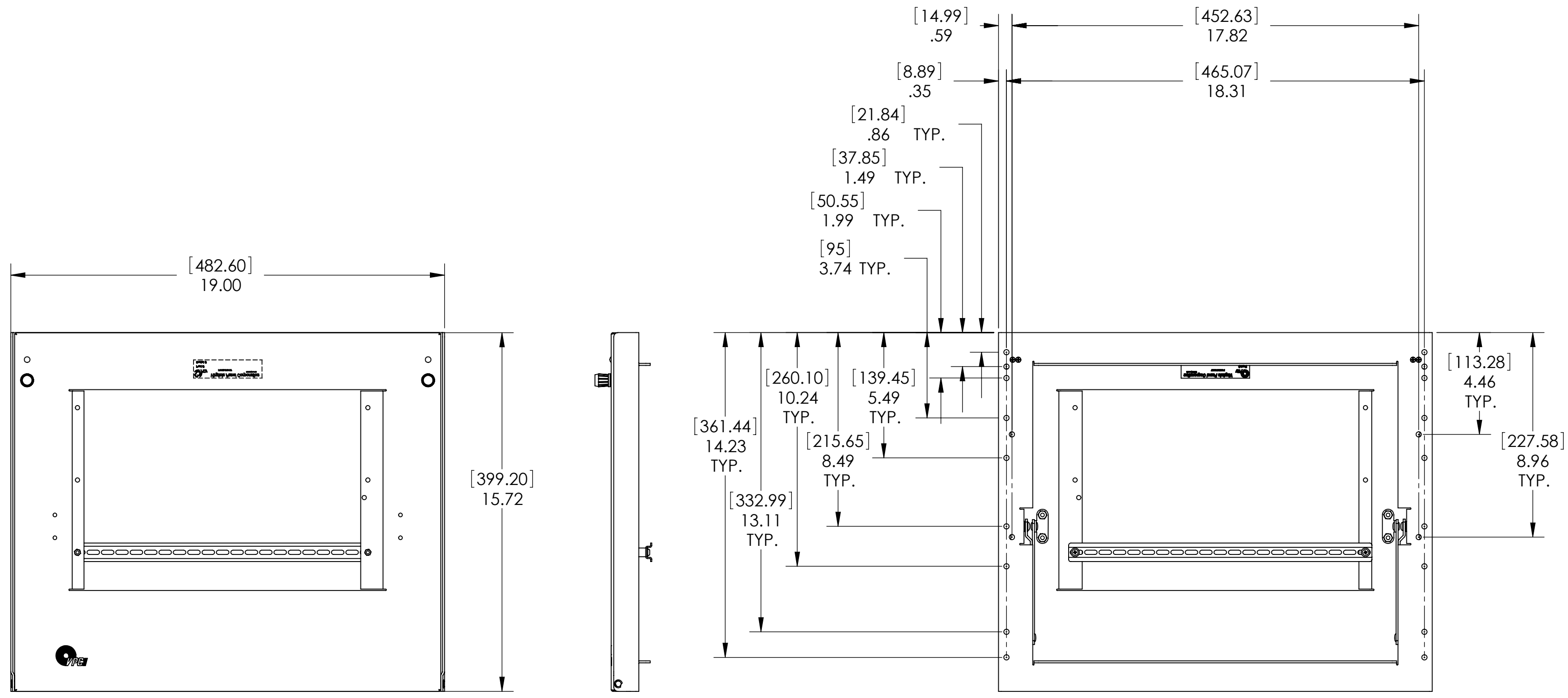
2

1

DO NOT SCALE DRAWING

THE INFORMATION CONTAINED HEREIN IS THE EXCLUSIVE PROPERTY OF VIRGINIA PANEL CORPORATION AND IS SUBMITTED FOR USE BY THE CUSTOMER ONLY. THE DATA SHALL NOT BE DUPLICATED, USED, OR DISCLOSED IN WHOLE OR IN PART FOR ANY PURPOSE OTHER THAN TO MAINTAIN THE EQUIPMENT PROVIDED. CONSULT WITH VIRGINIA PANEL CORPORATION ENGINEERING IF MORE DETAIL IS REQUIRED.

REVISIONS			
REV	DESCRIPTION	DATE	ENGR
H	ECN # 13045	11/28/22	M ECKERT



D

D

C

C

B

B

A

A

NOTES:

4

3

2

1

CUSTOMER DRAWING			
VPC			
<small>WWW.VPC.COM</small>			
G18, Vert Hinge Mtn Frame, 9U			
<small>DIMENSIONS ARE SHOWN AS:</small>	<small>SIZE</small>	<small>CAGE CODE</small>	<small>DWG. NO.</small>
[MILLIMETERS]	C	18117	310113328
INCHES			
<small>SCALE: 1:4</small>	<small>310113328</small>	<small>11/12/01</small>	<small>SHEET 1 OF 1</small>

REV H