

4

3

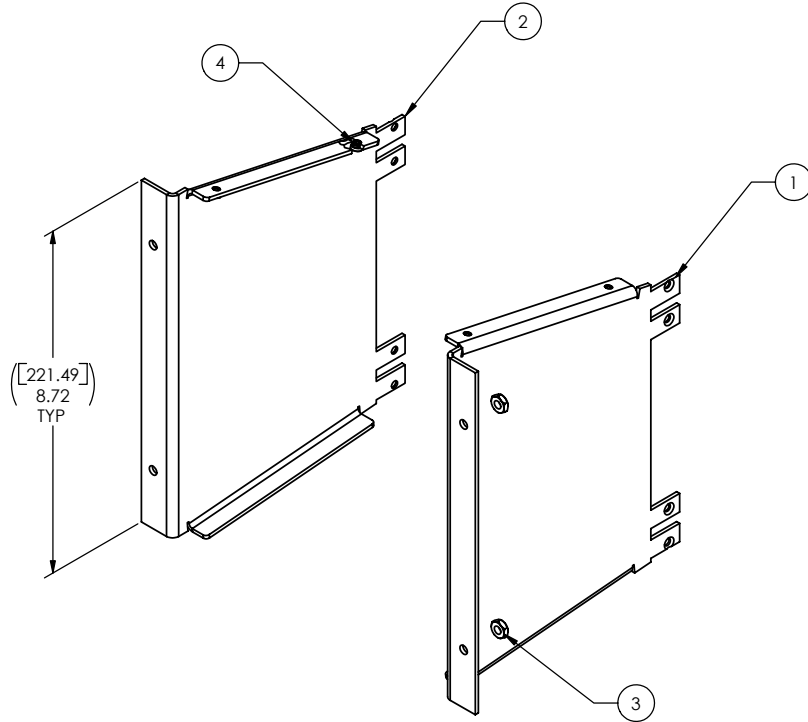
2

1

DO NOT SCALE DRAWING

THE INFORMATION CONTAINED HEREIN IS THE EXCLUSIVE PROPERTY OF VIRGINIA PANEL CORP. AND IS SUBMITTED FOR USE BY THE CUSTOMER ONLY. THE DATA SHALL NOT BE DUPLICATED, USED, OR DISCLOSED IN WHOLE OR IN PART FOR ANY PURPOSE OTHER THAN TO MAINTAIN THE EQUIPMENT PROVIDED. CONSULT WITH VIRGINIA PANEL CORPORATION ENGINEERING IF MORE DETAIL IS REQUIRED.

REVISIONS				
ZONE	REV	DESCRIPTION	DATE	APPROVED
	A	ORIGINAL RELEASE	3/21/02	



ITEM NO.	QTY.	PART NO.	DESCRIPTION
1	1	441204125	RIGHT FLANGE, PX2000-514
2	1	441204124	LEFT FLANGE, PX2000-514
3	4	709300	NT HEX #10-32 SST
4	4	268996	NT PEM CLS-440-3

CUSTOMER DRAWING - CUSTOMER DRAWING

1 FOR APPLICATION, USE & CARE INFORMATION
CONSULT VPC USERS GUIDE @WWW.VPC.COM

NOTES:

SOLIDWORKS DRAWING FILE	DIMENSIONS ARE SHOWN AS:		SIGNATURES		DATE	VIRGINIA PANEL CORPORATION WWW.VPC.COM		
	(millimeters)		DR	R GARMAN	3/21/02			
	INCHES		CHK			FLANGE KIT, PX2000-514		
	REMOVE BURRS, BREAK SHARP EDGES		ENG					
	MATERIAL		PROD					
FINISH		ASSY			SIZE	FSCM NO.	DWG. NO.	REV
		Q A			C	18117	310113374	A
		APPD			SCALE: NONE	3/21/02	310113374	SHEET 1 OF 1

4

3

2

1