

4

3

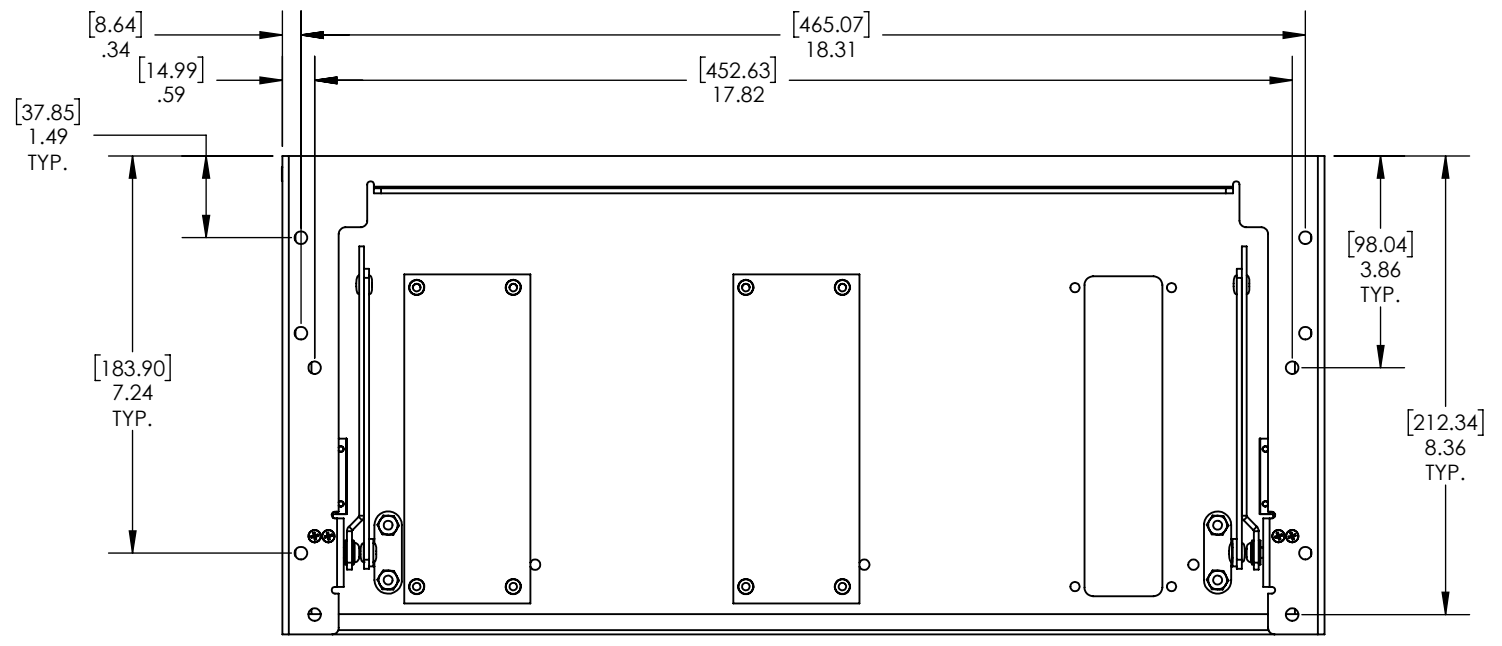
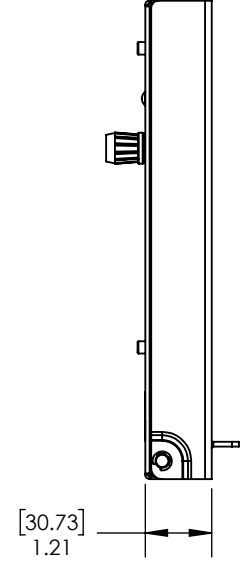
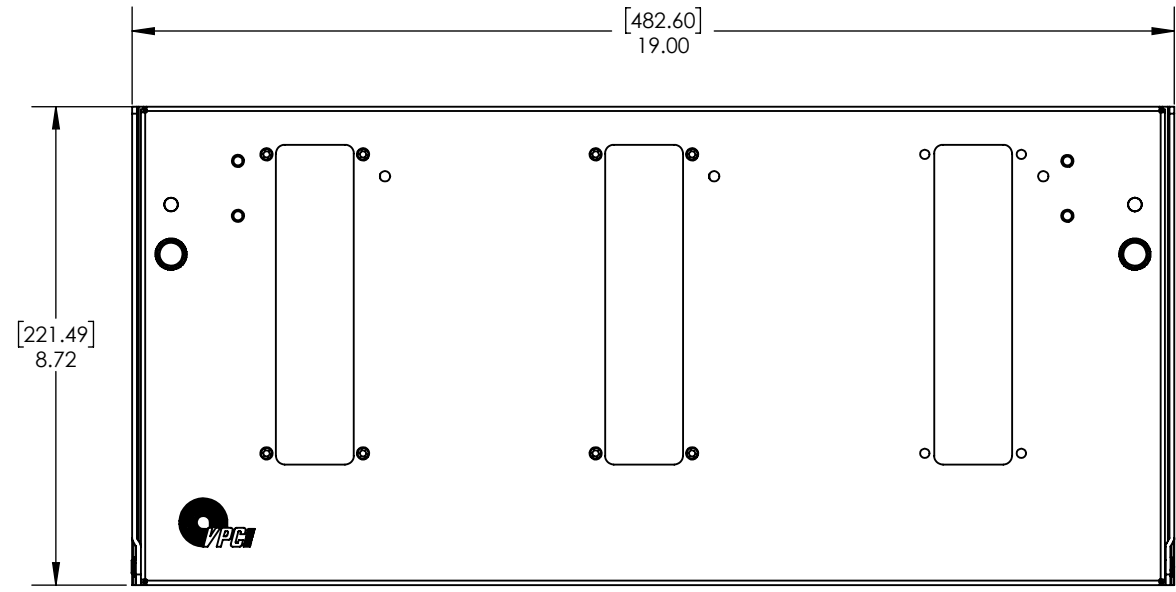
2

1

DO NOT SCALE DRAWING


THE INFORMATION CONTAINED HEREIN IS THE EXCLUSIVE PROPERTY OF VPC AND IS PERMITTED FOR USE BY THE CUSTOMER ONLY. THE DATA SHALL NOT BE DUPLICATED, USED, OR DISCLOSED IN WHOLE OR IN PART FOR ANY PURPOSE OTHER THAN TO MAINTAIN THE EQUIPMENT PROVIDED.

REV	DESCRIPTION	DATE	ENGINEER
F	ECN #13029	12/2/22	J HARDIGREE



1. FOR MORE INFORMATION, VISIT VPC.COM.
NOTES:

DIMENSIONS ARE SHOWN AS:
[MILLIMETERS]
INCHES

CUSTOMER DRAWING		
 VPC Virginia Power Corporation		
VHMF, G2, 5U, 3 POS, WITH 2 BLANK PLATES		
DWG.NO.	310 113 391	REV F
SCALE NONE	CAGE CODE 18117	SHEET 1 OF 1

4

3

2

1