

4

3

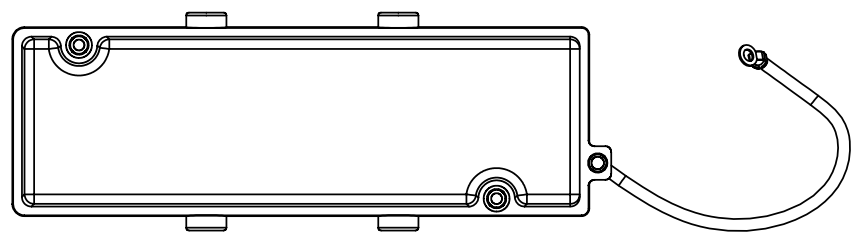
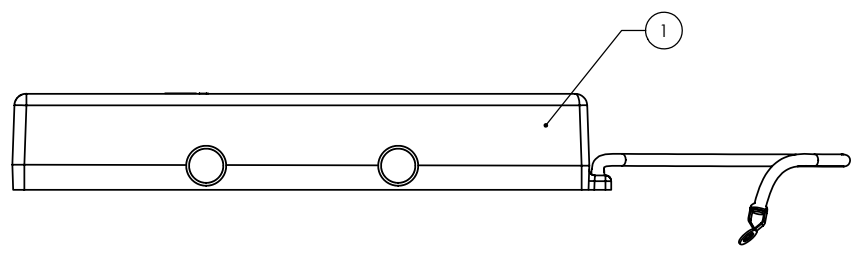
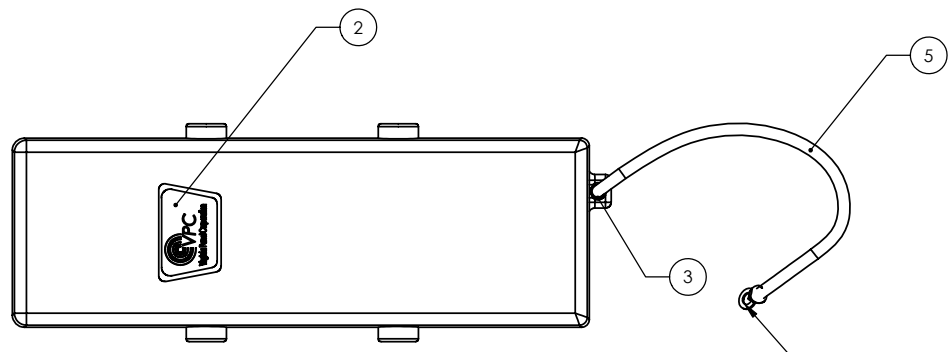
2

1

DO NOT SCALE DRAWING

THE INFORMATION CONTAINED HEREIN IS THE EXCLUSIVE PROPERTY OF VIRGINIA PANEL CORP. AND IS SUBMITTED FOR USE BY THE CUSTOMER ONLY. THE DATA SHALL NOT BE DUPLICATED, USED, OR DISCLOSED IN WHOLE OR IN PART FOR ANY PURPOSE OTHER THAN TO MAINTAIN THE EQUIPMENT PROVIDED. CONSULT WITH VIRGINIA PANEL CORPORATION ENGINEERING IF MORE DETAIL IS REQUIRED.

REVISIONS				
ZONE	REV	DESCRIPTION	DATE	APPROVED
	A	ORIGINAL RELEASE	5/5/03	



ITEM NO.	QTY.	PART NO.	DESCRIPTION
1	1	422700179	2102 RCVR PROTECTIVE COVER
2	1	264651	LABEL, 2 POSITION ENCLOSURE
3	1	202682	RETAINER SLEEVE
4	1	272271	EYELET COUPLING
5	1	272233	CHAIN

1 FOR APPLICATION, USE & CARE INFORMATION CONSULT VPC USERS GUIDE @WWW.VPC.COM

NOTES:

CUSTOMER DRAWING - CUSTOMER DRAWING

SOLIDWORKS DRAWING FILE	DIMENSIONS ARE SHOWN AS: (millimeters) INCHES		SIGNATURES		DATE	VIRGINIA PANEL CORPORATION WWW.VPC.COM		
	DR	CHK	REH	5/5/03				
	REMOVE BURRS, BREAK SHARP EDGES		ENG			COVER, PROTECTIVE RCVR 2102		
	MATERIAL		PROD					
	FINISH		ASSY					
		Q A			SIZE	FSCM NO.	DWG. NO.	REV
		APPD			C	18117	310113394	A
					SCALE: NONE	5/5/03	310113394	SHEET 1 OF 1

4

3

2

1